



T&S BRASS AND BRONZE WORKS, INC.

2 Saddleback Cove / P.O. Box 1088
Travelers Rest, SC 29690

Model No.

B-2857

Item No.

Travelers Rest, SC: 800-476-4103 • Simi Valley, CA: 800-423-0150 • Fax: 864-834-3518 • www.tsbrass.com

This Space for Architect/Engineer Approval

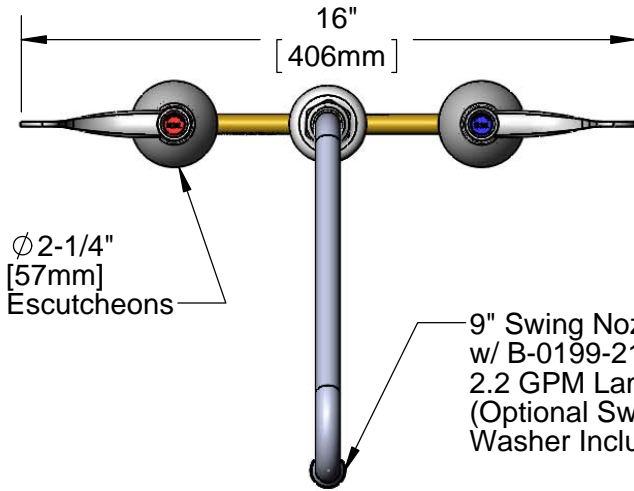
Job Name _____ Date _____

Model Specified _____ Quantity _____

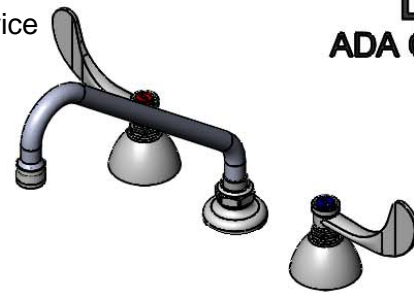
Customer/Wholesaler _____

Contractor _____

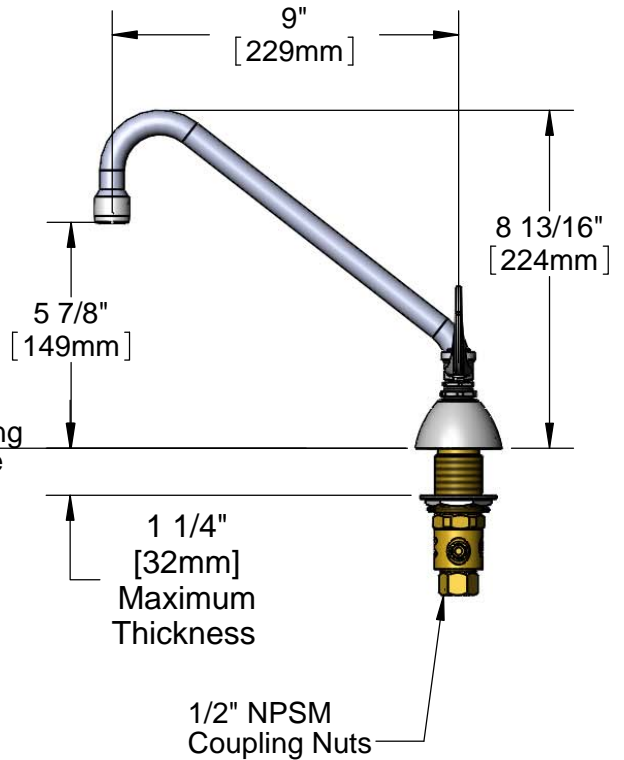
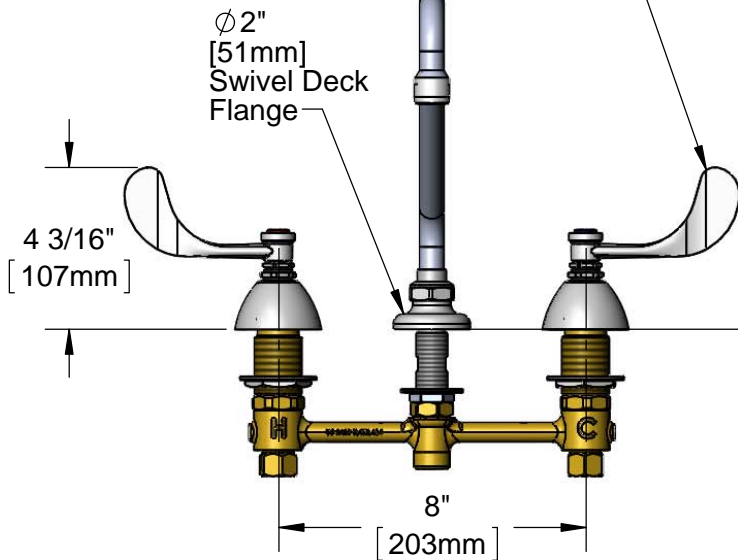
Architect/Engineer _____



ADA Compliant



Eterna Cartridges &
4" Wrist Action Handles
w/ Color Coded Indexes



Rough-In Requirement:

Ø 1" [25mm] for Center Shank

Ø 1-1/2" [38mm] for Hot/Cold Side

Product Specifications:

8" Deck Mount EasyInstall Mixing Faucet, 4" Wrist Action Handles, 8" Inlet Centers, Eterna Cartridges, 9" Swing Nozzle w/ 2.2 GPM Laminar Flow Device

Product Compliance:

ASME A112.18.1 / CSA B125.1
NSF 61 - Section 9
NSF 372 (Low Lead Content)
ANSI A117.1 (ADA)



T&S BRASS AND BRONZE WORKS, INC.

2 Saddleback Cove / P.O. Box 1088
Travelers Rest, SC 29690

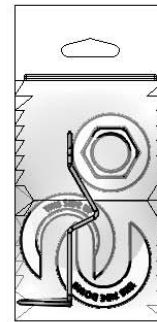
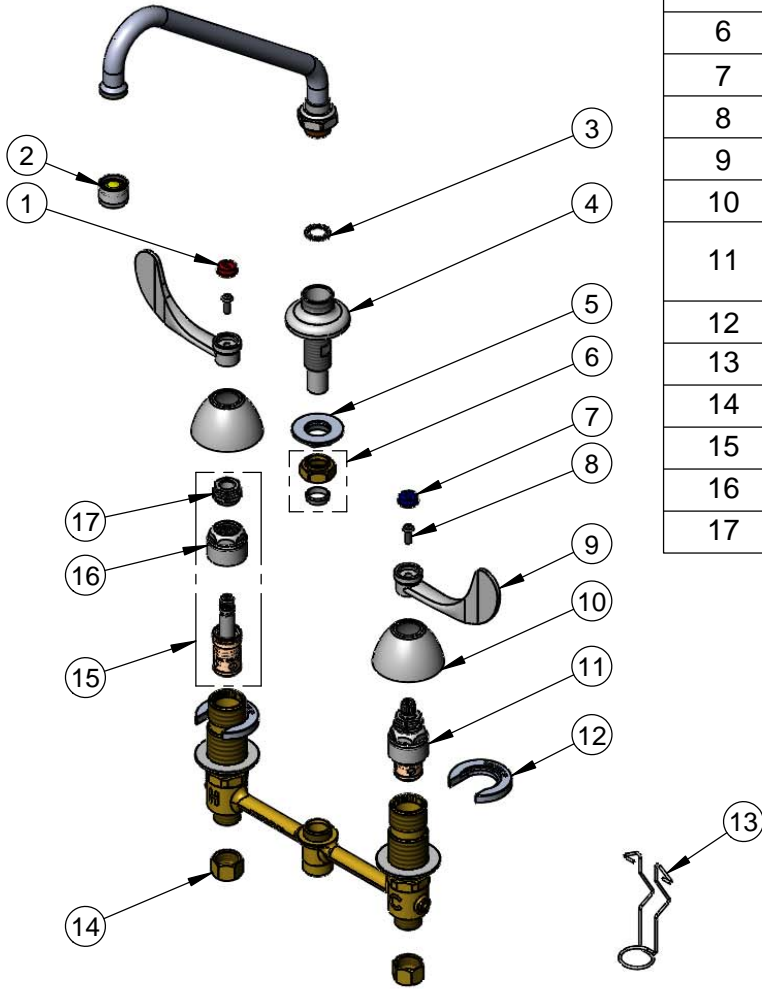
Model No.

B-2857

Item No.

Travelers Rest, SC: 800-476-4103 • Simi Valley, CA: 800-423-0150 • Fax: 864-834-3518 • www.tsbrass.com

| ITEM NO. | SALES NO. | DESCRIPTION |
|----------|-----------|-------------------------------------|
| 1 | 001194-45 | Red Index - HW |
| 2 | B-0199-21 | 2.2 GPM Laminar Flow Device |
| 3 | 014200-45 | Star Washer, Anti-Rotation |
| 4 | 016754-40 | EasyInstall CWS Swivel Center Shank |
| 5 | 016742-45 | Center Flange Nut |
| 6 | 016745-45 | Compression Nut & Fitting |
| 7 | 001686-45 | Blue Index - CW |
| 8 | 000925-45 | Lab Handle Screw |
| 9 | B-WH4 | 4" Wrist Action Handle |
| 10 | 001257-40 | Bell Escutcheon |
| 11 | 016752-40 | EasyInstall CWS LTC Eterna (Teflon) |
| 12 | 016749-45 | C-Washer |
| 13 | 016777-45 | CWS Hanger |
| 14 | 000958-20 | Coupling Nut |
| 15 | 016753-40 | EasyInstall CWS RTC Eterna (Teflon) |
| 16 | 016743-25 | CWS Bonnet Assembly |
| 17 | 009002-25 | Packing Nut Assembly |



017245-40
Installation Repair Kit
Includes #5, (2)#12, & #13

Product Specifications:

8" Deck Mount EasyInstall Mixing Faucet, 4" Wrist Action Handles, 8" Inlet Centers, Eterna Cartridges, 9" Swing Nozzle w/ 2.2 GPM Laminar Flow Device

Product Compliance:

ASME A112.18.1 / CSA B125.1
NSF 61 - Section 9
NSF 372 (Low Lead Content)
ANSI A117.1 (ADA)