



# T&S BRASS AND BRONZE WORKS, INC.

2 Saddleback Cove / P.O. Box 1088  
Travelers Rest, SC 29690

Model No.

**B-2855-WS**

Item No.

Travelers Rest, SC: 800-476-4103 • Simi Valley, CA: 800-423-0150 • Fax: 864-834-3518 • www.tsbrass.com

This Space for Architect/Engineer Approval

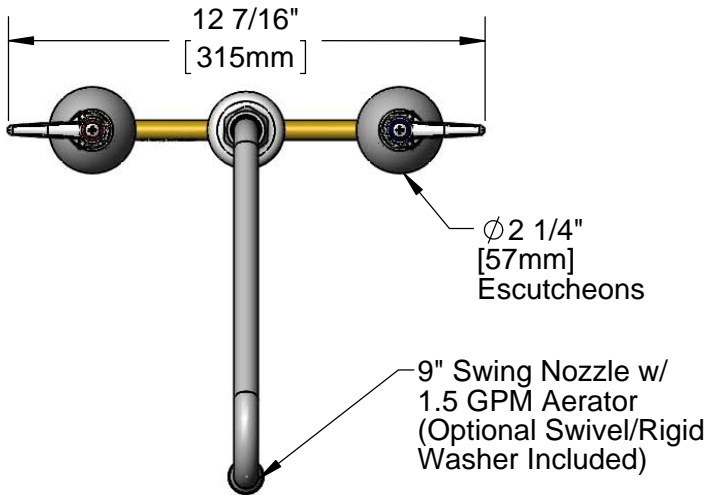
Job Name \_\_\_\_\_ Date \_\_\_\_\_

Model Specified \_\_\_\_\_ Quantity \_\_\_\_\_

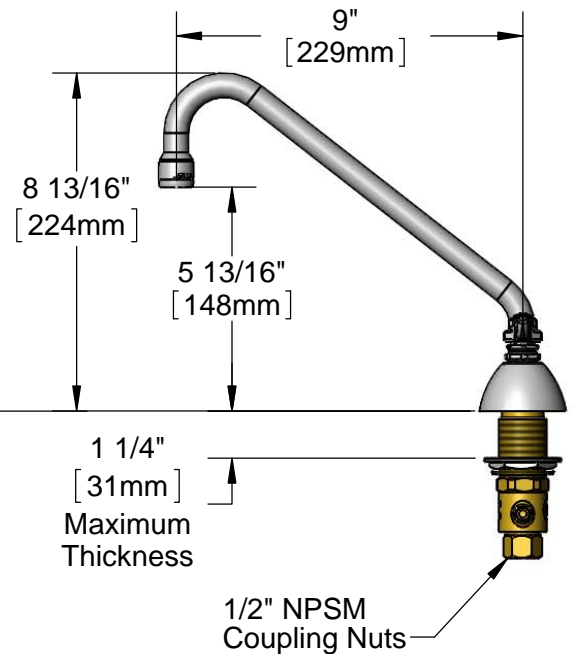
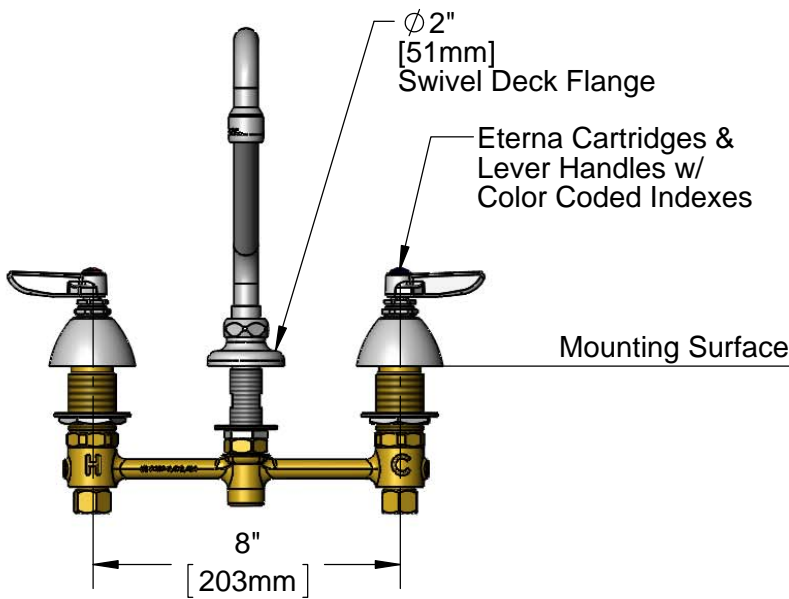
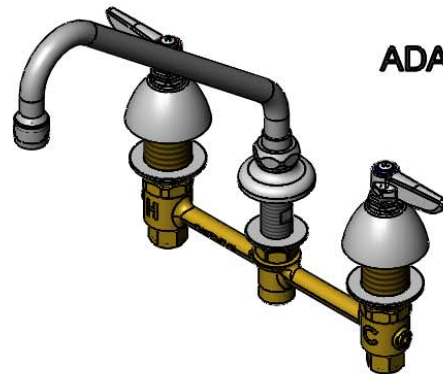
Customer/Wholesaler \_\_\_\_\_

Contractor \_\_\_\_\_

Architect/Engineer \_\_\_\_\_



**ADA Compliant**



**Rough-In Requirement:**  
Ø 1" [25mm] for Center Shank  
Ø 1 1/2" [38mm] for Hot/Cold Side

**Product Specifications:**  
8" Concealed Widespread EasyInstall Mixing Faucet, Lever Handles, Eterna Cartridges, 9" Swing Nozzle w/ 1.5 GPM Aerator and 1/2" NPSM Male Inlets

**Product Compliance:**  
ASME A112.18.1 / CSA B125.1  
NSF 61 - Section 9  
NSF 372 (Low Lead Content)  
EPA WaterSense  
ANSI A117.1 (ADA)

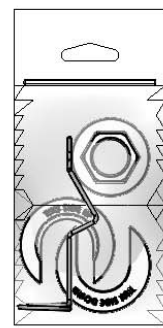
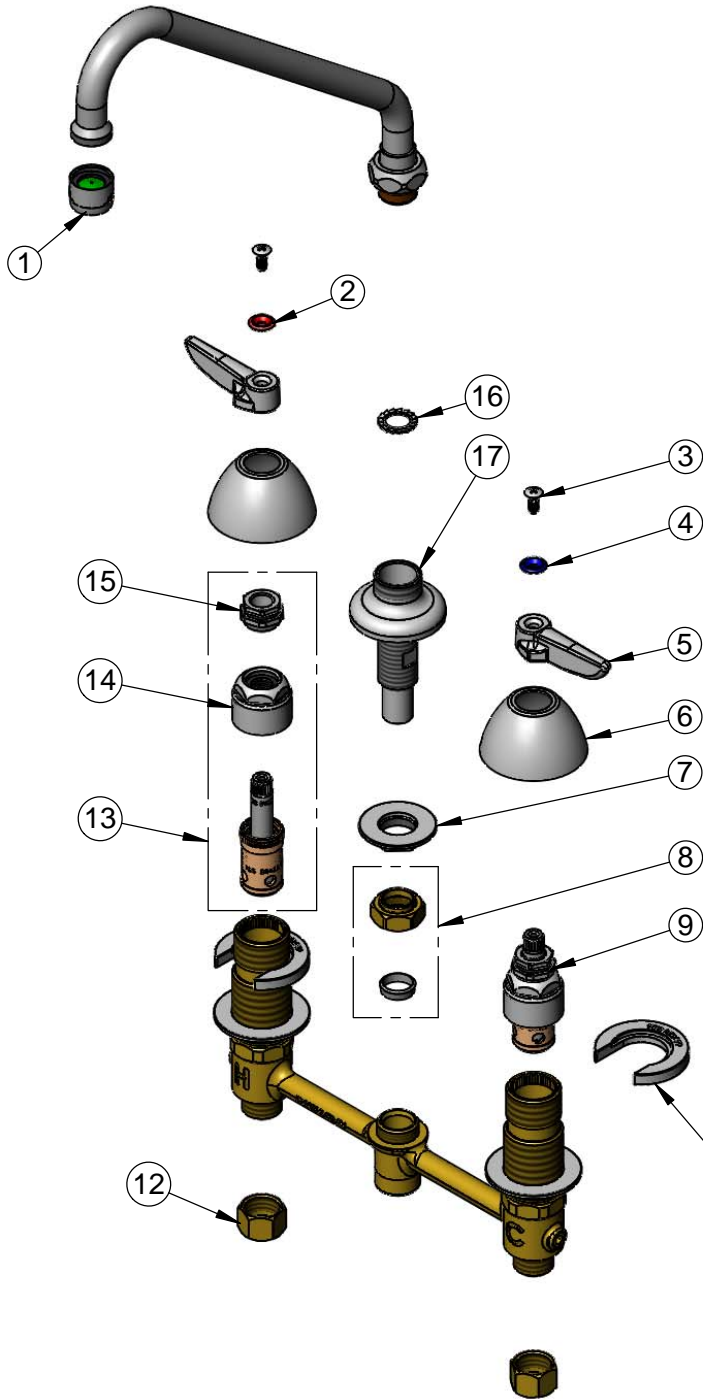


**T&S BRASS AND BRONZE WORKS, INC.**  
 2 Saddleback Cove / P.O. Box 1088  
 Travelers Rest, SC 29690

Model No.  
**B-2855-WS**  
 Item No.

Travelers Rest, SC: 800-476-4103 • Simi Valley, CA: 800-423-0150 • Fax: 864-834-3518 • www.tsbrass.com

ITEM NO.	SALES NO.	DESCRIPTION
1	B-0199-01-WS	1.5 GPM Aerator, 55/64-27 Female
2	001661-45	Red Index-HW
3	000922-45	Lever Handle Screw
4	001660-45	Blue Index-CW
5	001638-45	Lever Handle
6	001257-40	Bell Escutcheon
7	016742-45	Center Flange Nut
8	016745-45	Compression Nut & Fitting
9	016752-40	EasyInstall CWS LTC Eterna (Teflon)
10	016749-45	Sidebody C-Washer
11	016777-45	CWS Hanger
12	000958-20	Coupling Nut
13	016753-40	EasyInstall CWS RTC Eterna (Teflon)
14	016743-25	CWS Eterna Bonnet
15	009002-25	Packing Nut Assembly
16	014200-45	Star Washer, Anti-Rotation
17	016754-40	EasyInstall CWS Swivel Center Shank



017245-40  
 Installation Repair Kit  
 Includes #7, (2)#10, & #11

**Product Specifications:**  
 8" Concealed Widespread EasyInstall Mixing Faucet, Lever Handles, Eterna Cartridges, 9" Swing Nozzle w/ 1.5 GPM Aerator and 1/2" NPSM Male Inlets

**Product Compliance:**  
 ASME A112.18.1 / CSA B125.1  
 NSF 61 - Section 9  
 NSF 372 (Low Lead Content)  
 EPA WaterSense  
 ANSI A117.1 (ADA)