



T&S BRASS AND BRONZE WORKS, INC.

2 Saddleback Cove / P.O. Box 1088
Travelers Rest, SC 29690

Model No.

B-2855-060X-VR

Item No.

Travelers Rest, SC: 800-476-4103 • Simi Valley, CA: 800-423-0150 • Fax: 864-834-3518 • www.tsbrass.com

This Space for Architect/Engineer Approval

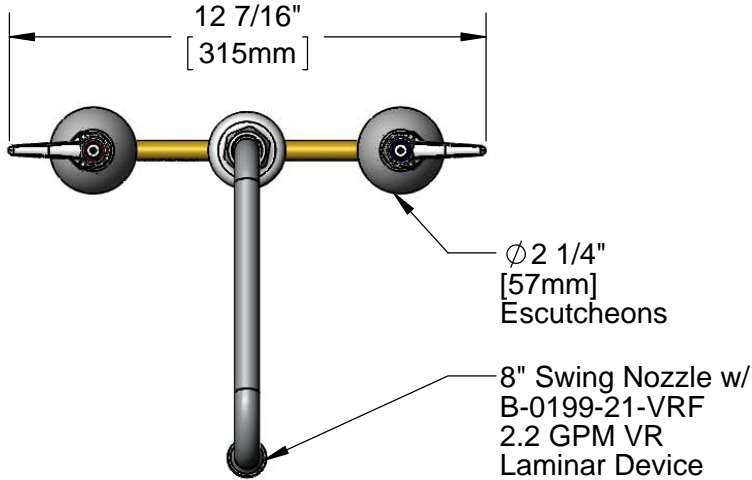
Job Name _____ Date _____

Model Specified _____ Quantity _____

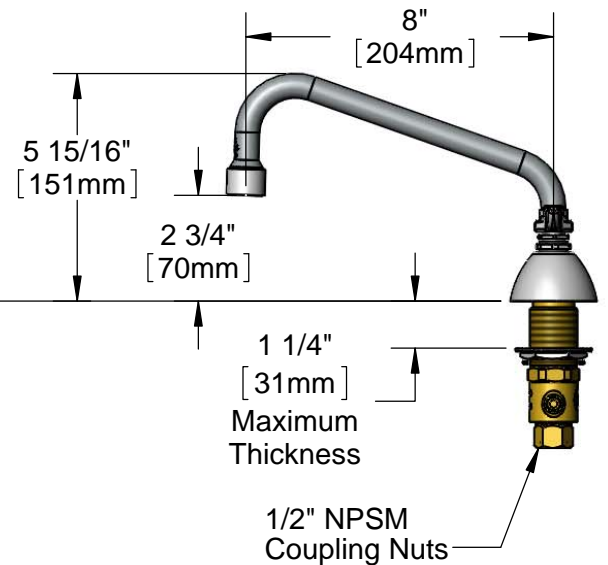
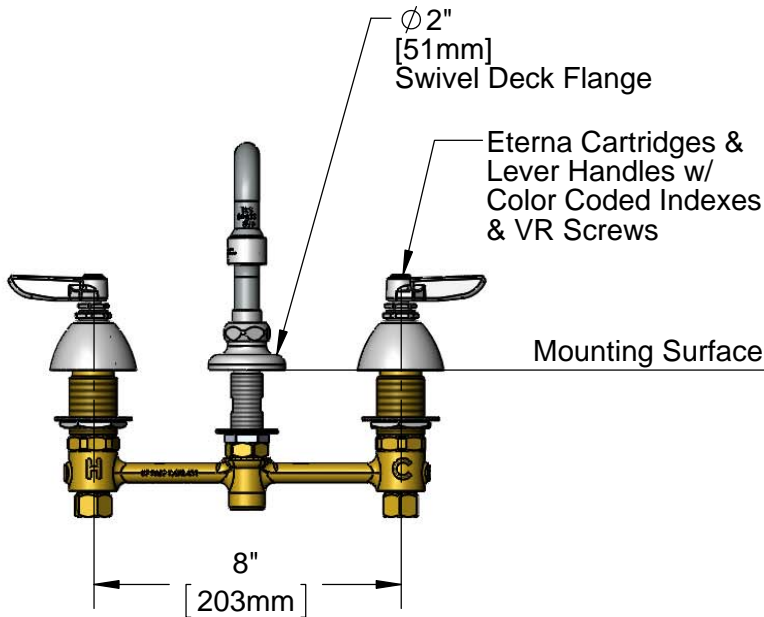
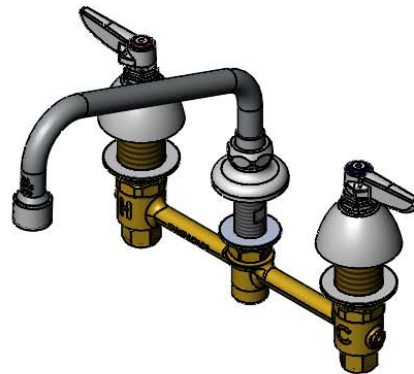
Customer/Wholesaler _____

Contractor _____

Architect/Engineer _____



ADA Compliant



Rough-In Requirement:

Ø 1" [25mm] for Center Shank

Ø 1 1/2" [38mm] for Hot/Cold Side

Product Specifications:

8" Concealed Widespread EasyInstall Mixnig Faucet, Lever Handles w/
VR Screws, Eterna Cartridges, 8" Swing Nozzle w/ 2.2 GPM VR
Laminar Flow Device and 1/2" NPSM Male Inlets

Product Compliance:

ASME A112.18.1 / CSA B125.1
NSF 61 - Section 9
NSF 372 (Low Lead Content)
ANSI A117.1 (ADA)



T&S BRASS AND BRONZE WORKS, INC.

2 Saddleback Cove / P.O. Box 1088
Travelers Rest, SC 29690

Model No.

B-2855-060X-VR

Item No.

Travelers Rest, SC: 800-476-4103 • Simi Valley, CA: 800-423-0150 • Fax: 864-834-3518 • www.tsbrass.com

ITEM NO.	SALES NO.	DESCRIPTION
1	B-0199-21-VRF	VR Laminar Flow Device
2	060X-LAM-VR	8" Swing Nozzle w/ 2.2 GPM VR Laminar Flow Device
3	001661-45	Red Index-HW
4	001660-45	Blue Index-CW
5	B-VRS	Pin-In-Socket Screw w/ Hex Key
6	001638-45	Lever Handle
7	001257-40	Bell Escutcheon
8	016742-45	Center Flange Nut
9	016745-45	Compression Nut & Fitting
10	016752-40	EasyInstall CWS LTC Eterna (Teflon)
11	016749-45	C-Washer
12	015425-45	Vandal Resistant Key
13	016777-45	CWS Hanger
14	010587-45	Pin-in-Socket Hex Key
15	000958-20	Coupling Nut
16	016753-40	EasyInstall CWS RTC Eterna (Teflon)
17	016743-25	CWS Bonnet Assembly
18	009002-25	Packing Nut Assembly
19	014200-45	Star Washer, Anti-Rotation
20	016754-40	EasyInstall CWS Swivel Center Shank

017245-40
Installation Repair Kit
Includes #8, (2)#11, & #13

Product Specifications:
8" Concealed Widespread EasyInstall Mixnig Faucet, Lever Handles w/ VR Screws, Eterna Cartridges, 8" Swing Nozzle w/ 2.2 GPM VR Laminar Flow Device and 1/2" NPSM Male Inlets

Product Compliance:
ASME A112.18.1 / CSA B125.1
NSF 61 - Section 9
NSF 372 (Low Lead Content)
ANSI A117.1 (ADA)