



# T&S BRASS AND BRONZE WORKS, INC.

2 Saddleback Cove / P.O. Box 1088  
Travelers Rest, SC 29690

Model No.

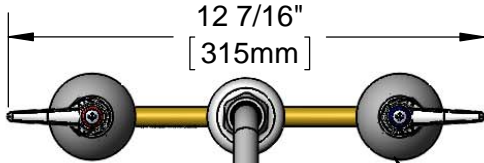
**B-2855-01**

Item No.

Travelers Rest, SC: 800-476-4103 • Simi Valley, CA: 800-423-0150 • Fax: 864-834-3518 • www.tsbrass.com



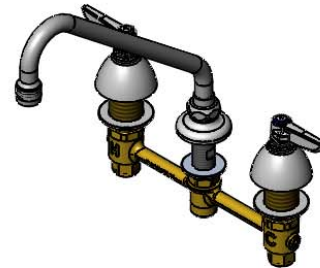
**ADA Compliant**



12 7/16"  
[315mm]

Ø 2 1/4"  
[57mm]  
Escutcheons

9" Swing Nozzle w/  
B-0199-29  
1.5 GPM Laminar Flow Device  
(Optional Swivel/Rigid  
Washer Included)



This Space for Architect/Engineer Approval

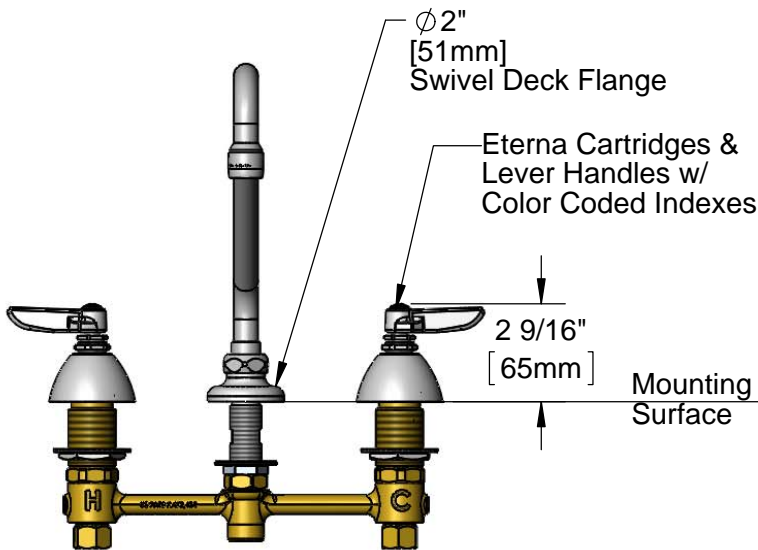
Job Name \_\_\_\_\_ Date \_\_\_\_\_

Model Specified \_\_\_\_\_ Quantity \_\_\_\_\_

Customer/Wholesaler \_\_\_\_\_

Contractor \_\_\_\_\_

Architect/Engineer \_\_\_\_\_



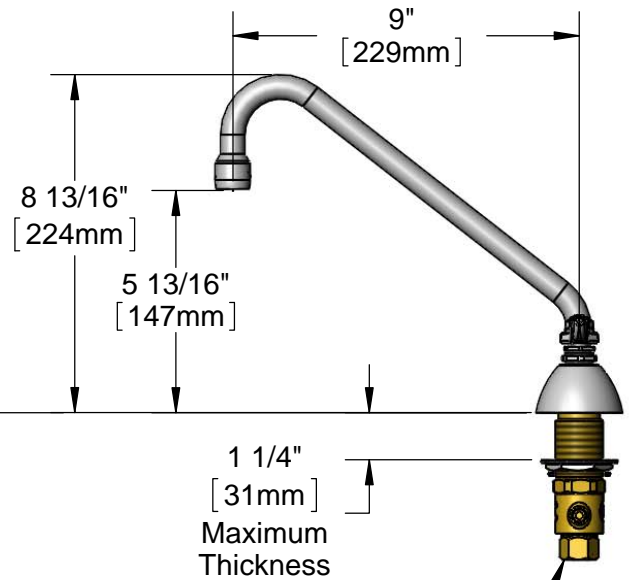
Ø 2"  
[51mm]  
Swivel Deck Flange

Eterna Cartridges &  
Lever Handles w/  
Color Coded Indexes

2 9/16"  
[65mm]

Mounting  
Surface

1/2" NPSM  
Coupling Nuts



9"  
[229mm]

8 13/16"  
[224mm]

5 13/16"  
[147mm]

1 1/4"  
[31mm]

Maximum  
Thickness

**Rough-In Requirement:**  
Ø 1" [25mm] for Center Shank  
Ø 1 1/2" [38mm] for Hot/Cold Side

**Product Specifications:**  
8" Concealed Widespread EasyInstall Mixing Faucet, Lever Handles, Eterna Cartridges, 9" Swing Nozzle w/ 1.5 GPM Laminar Flow Device and 1/2" NPSM Inlet

**Product Compliance:**  
ASME A112.18.1 / CSA B125.1  
NSF 61 - Section 9  
NSF 372 (Low Lead Content)  
ANSI A117.1 (ADA)



# T&S BRASS AND BRONZE WORKS, INC.

2 Saddleback Cove / P.O. Box 1088  
Travelers Rest, SC 29690

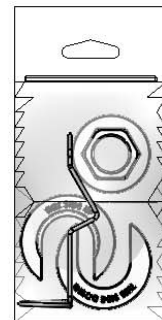
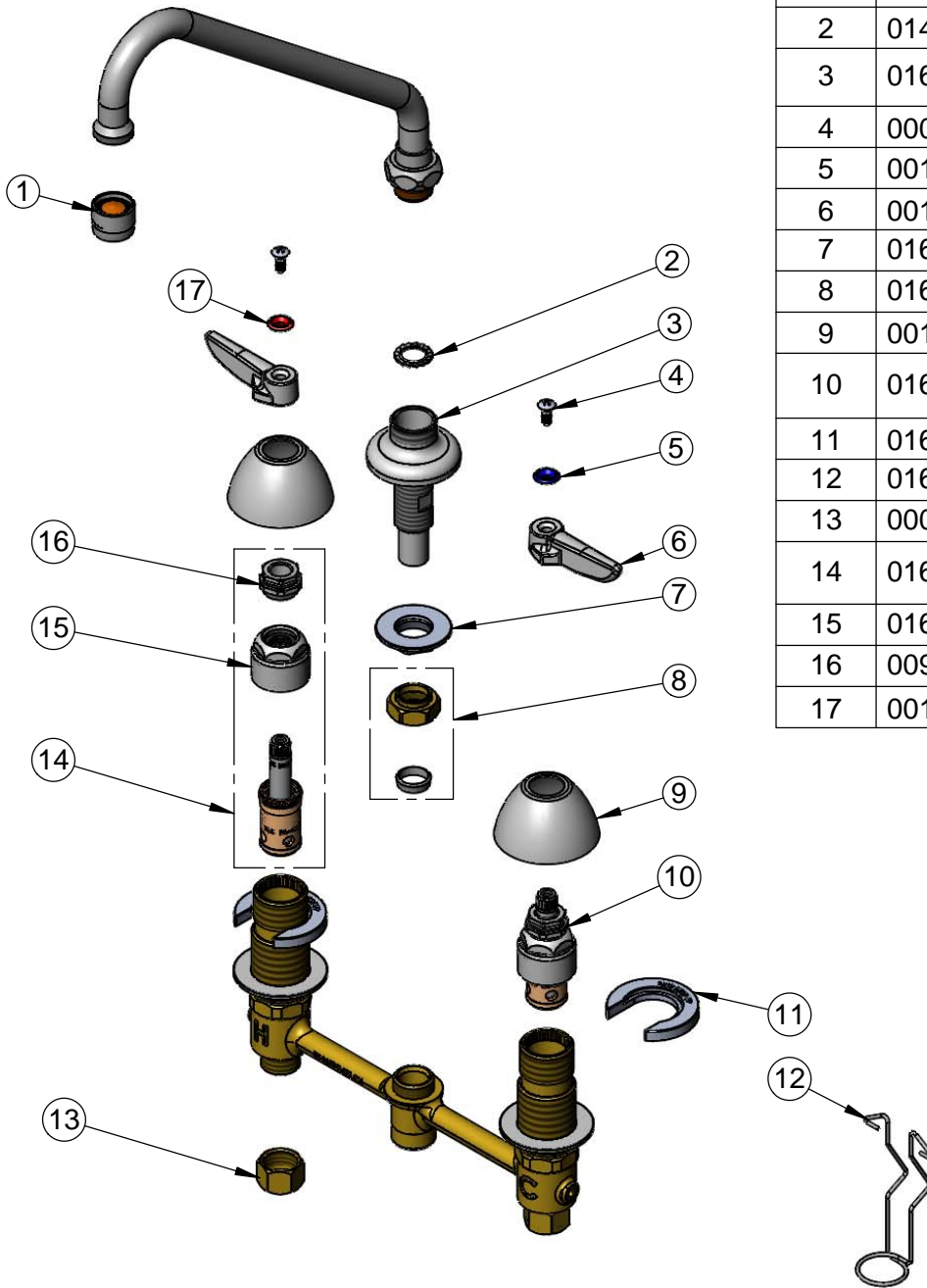
Model No.

**B-2855-01**

Item No.

Travelers Rest, SC: 800-476-4103 • Simi Valley, CA: 800-423-0150 • Fax: 864-834-3518 • www.tsbrass.com

ITEM NO.	SALES NO.	DESCRIPTION
1	B-0199-29	1.5 GPM Laminar Flow Device
2	014200-45	Star Washer, Anti-Rotation
3	016754-40	EasyInstall CWS Swivel Center Shank
4	000922-45	Lever Handle Screw
5	001660-45	Blue Index-CW
6	001638-45	Lever Handle
7	016742-45	Center Flange Nut
8	016745-45	Compression Nut & Fitting
9	001257-40	Bell Escutcheon
10	016752-40	CWS EasyInstall LTC Eterna (Teflon)
11	016749-45	C-Washer
12	016777-45	CWS Hanger
13	000958-20	Coupling Nut
14	016753-40	CWS EasyInstall RTC Eterna (Teflon)
15	016743-25	CWS Bonnet Assembly
16	009002-25	Packing Nut Assembly
17	001661-45	Red Index-HW



017245-40  
Installation Repair Kit  
Includes #7, (2)#11, & #12

**Product Specifications:**

8" Concealed Widespread EasyInstall Mixing Faucet, Lever Handles, Eterna Cartridges, 9" Swing Nozzle w/ 1.5 GPM Laminar Flow Device and 1/2" NPSM Inlet

**Product Compliance:**

ASME A112.18.1 / CSA B125.1  
NSF 61 - Section 9  
NSF 372 (Low Lead Content)  
ANSI A117.1 (ADA)