



T&S BRASS AND BRONZE WORKS, INC.

2 Saddleback Cove / P.O. Box 1088
Travelers Rest, SC 29690

Model No.

B-2853-RSW

Item No.

Travelers Rest, SC: 800-476-4103 • Simi Valley, CA: 800-423-0150 • Fax: 864-834-3518 • www.tsbrass.com

This Space for Architect/Engineer Approval

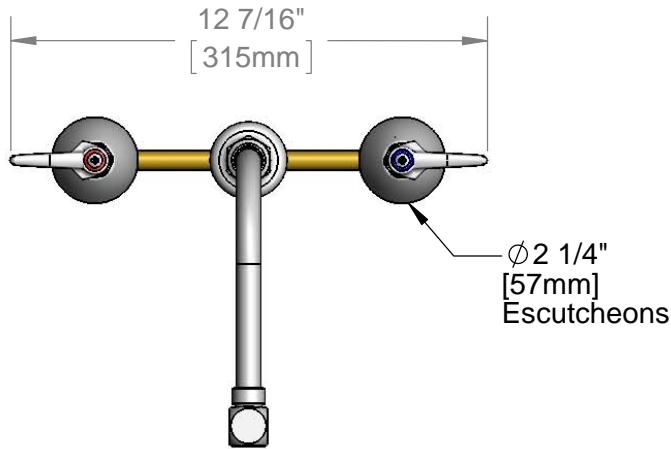
Job Name _____ Date _____

Model Specified _____ Quantity _____

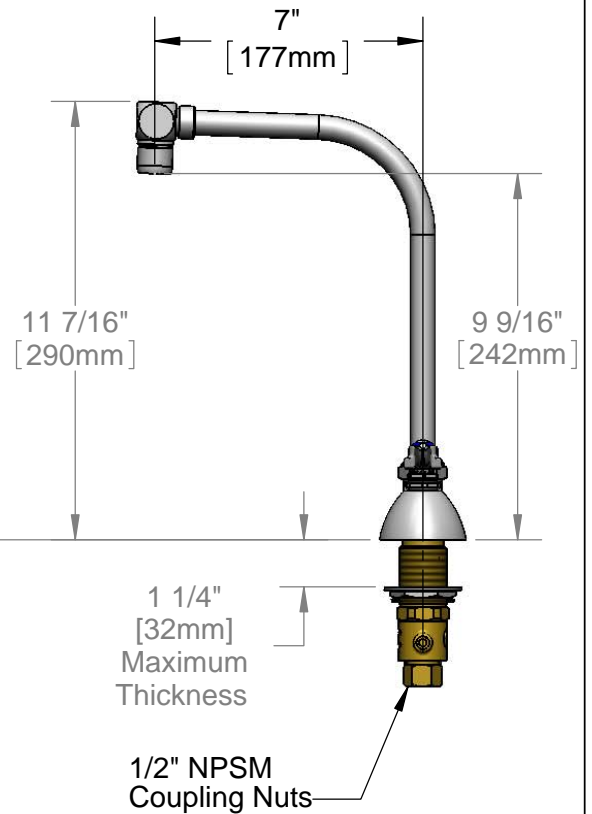
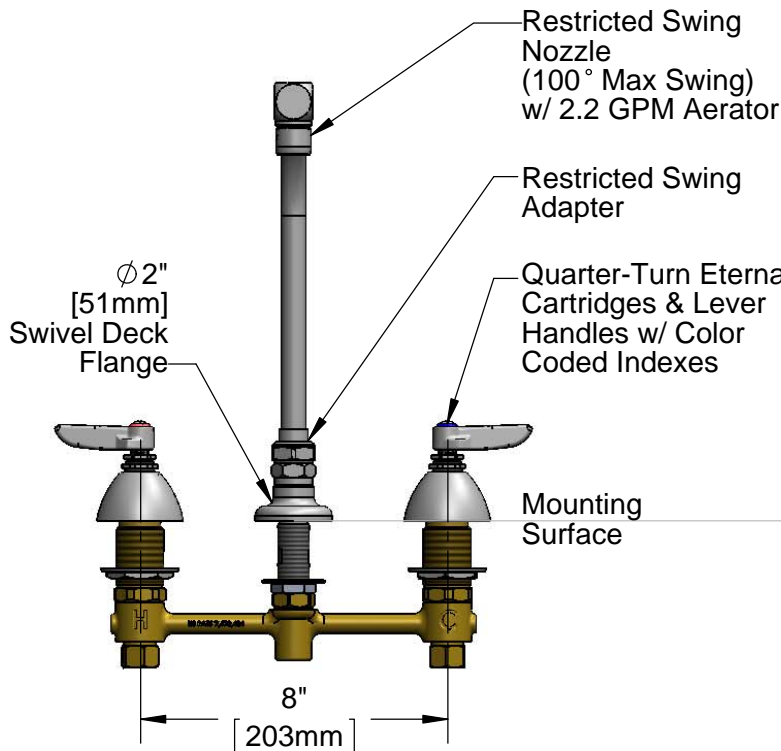
Customer/Wholesaler _____

Contractor _____

Architect/Engineer _____



ADA Compliant



Rough-In Requirement:
Ø 1" [25mm] for Center Shank
Ø 1 1/2" [38mm] for Hot/Cold Side

Product Specifications:
EasyInstall Faucet, Lever Handles, Quarter-Turn Eterna Cartridges, 8" Inlet Centers & High Rise Restricted Swing Nozzle w/ 2.2 GPM Aerator

Product Compliance:
ASME A112.18.1 / CSA B125.1
NSF 61 - Section 9
NSF 372 (Low Lead Content)
ANSI A117.1 (ADA)

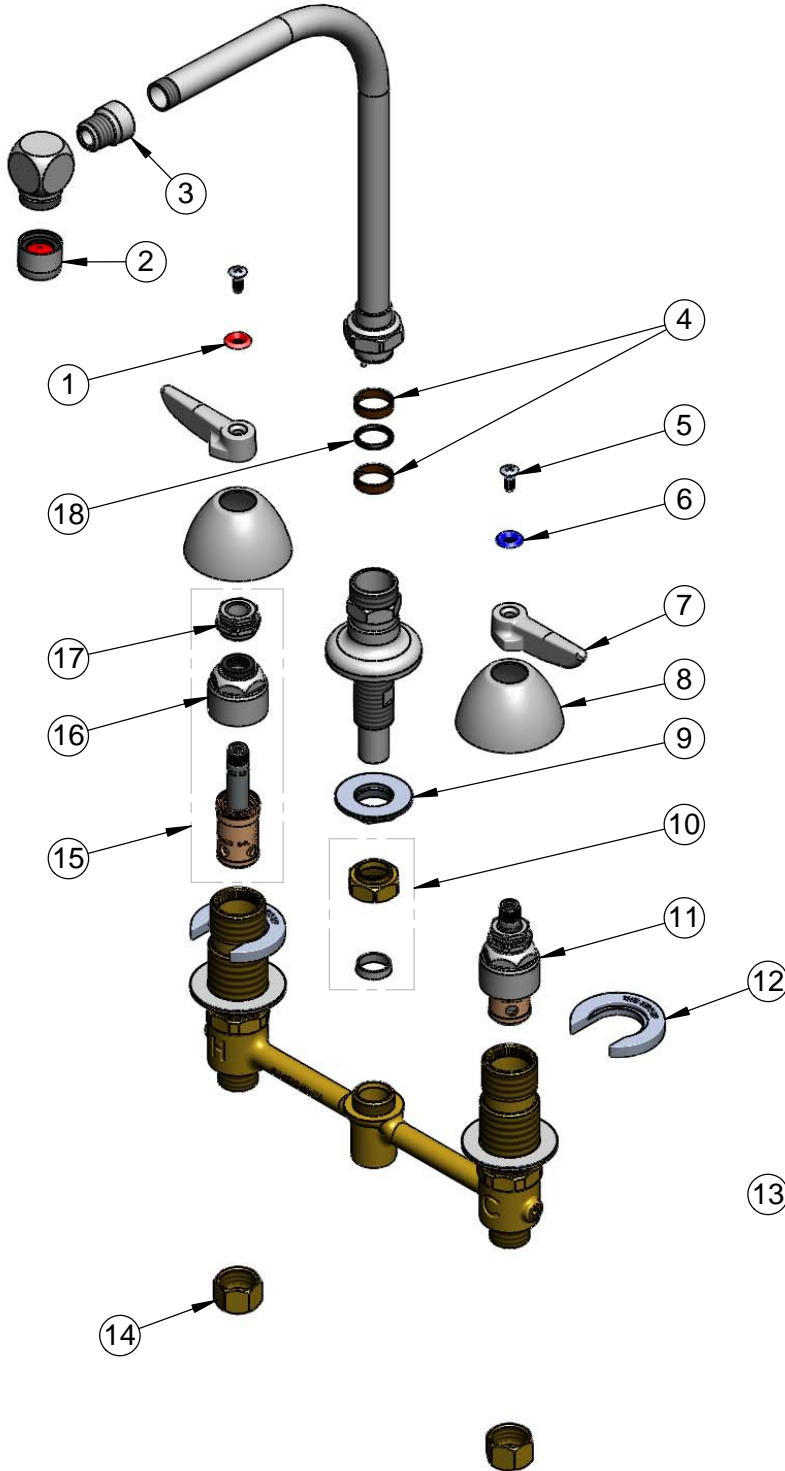


T&S BRASS AND BRONZE WORKS, INC.
 2 Saddleback Cove / P.O. Box 1088
 Travelers Rest, SC 29690

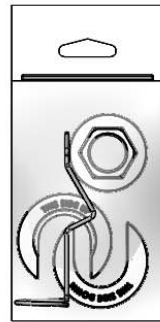
Model No.
B-2853-RSW

Item No.

Travelers Rest, SC: 800-476-4103 • Simi Valley, CA: 800-423-0150 • Fax: 864-834-3518 • www.tsbrass.com



ITEM NO.	SALES NO.	DESCRIPTION
1	001661-45	Red Index-HW
2	B-0199-01	2.2 GPM Aerator
3	000564-25	Adapter
4	011429-45	Swivel Sleeve (2)
5	001660-45	Blue Index-CW
6	000922-45	Lever Handle Screw
7	001638-45	Lever Handle
8	001257-40	Bell Escutcheon
9	016742-45	Center Flange Nut
10	016745-45	Compression Nut & Fitting
11	016925-40	EasyInstall CWS LTC Quarter-Turn Eterna (Teflon)
12	016749-45	C-Washer
13	016777-45	CWS Hanger
14	000958-20	Coupling Nut
15	016926-40	EasyInstall CWS RTC Quarter-Turn Eterna (Teflon)
16	016743-25	CWS Bonnet Assembly
17	009002-25	Packing Nut Assembly
18	001074-45	O-Ring



017245-40
 Installation Repair Kit
 Includes #9, (2)#12, & #13

Product Specifications:
 EasyInstall Faucet, Lever Handles, Quarter-Turn Eterna Cartridges, 8" Inlet Centers & High Rise Restricted Swing Nozzle w/ 2.2 GPM Aerator

Product Compliance:
 ASME A112.18.1 / CSA B125.1
 NSF 61 - Section 9
 NSF 372 (Low Lead Content)
 ANSI A117.1 (ADA)