



T&S BRASS AND BRONZE WORKS, INC.
 2 Saddleback Cove / P.O. Box 1088
 Travelers Rest, SC 29690

Model No.
B-2853-RSW-061X

Item No.

Travelers Rest, SC: 800-476-4103 • Simi Valley, CA: 800-423-0150 • Fax: 864-834-3518 • www.tsbrass.com

This Space for Architect/Engineer Approval

Job Name _____ Date _____

Model Specified _____ Quantity _____

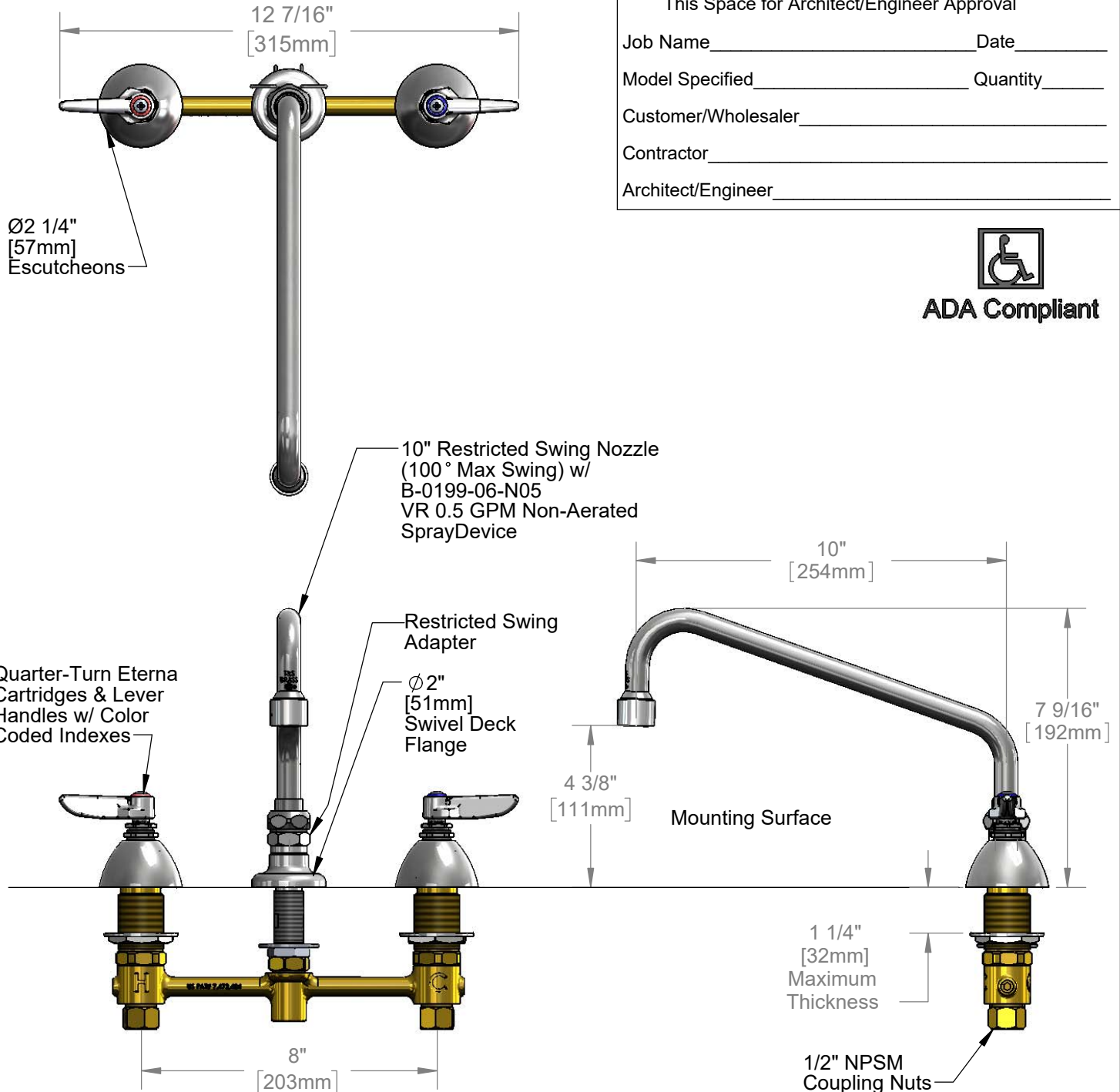
Customer/Wholesaler _____

Contractor _____

Architect/Engineer _____



ADA Compliant



Rough-In Requirement:
 Ø1" [25mm] for Center Shank
 Ø1 1/2" [38mm] for Hot/Cold Sides

Product Specifications:
 8" Deck Mount EasyInstall Mixing Faucet, Quarter-Turn Eterna Cartridges, Lever Handles, 10" Restricted Swing Nozzle w/ VR 0.5 GPM Non-Aerated Spray Device

Product Compliance:
 ASME A112.18.1 / CSA B125.1
 NSF 61 - Section 9
 NSF 372 (Low Lead Content)
 ANSI A117.1 (ADA)



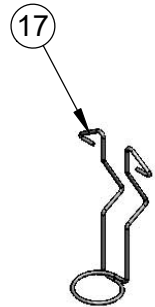
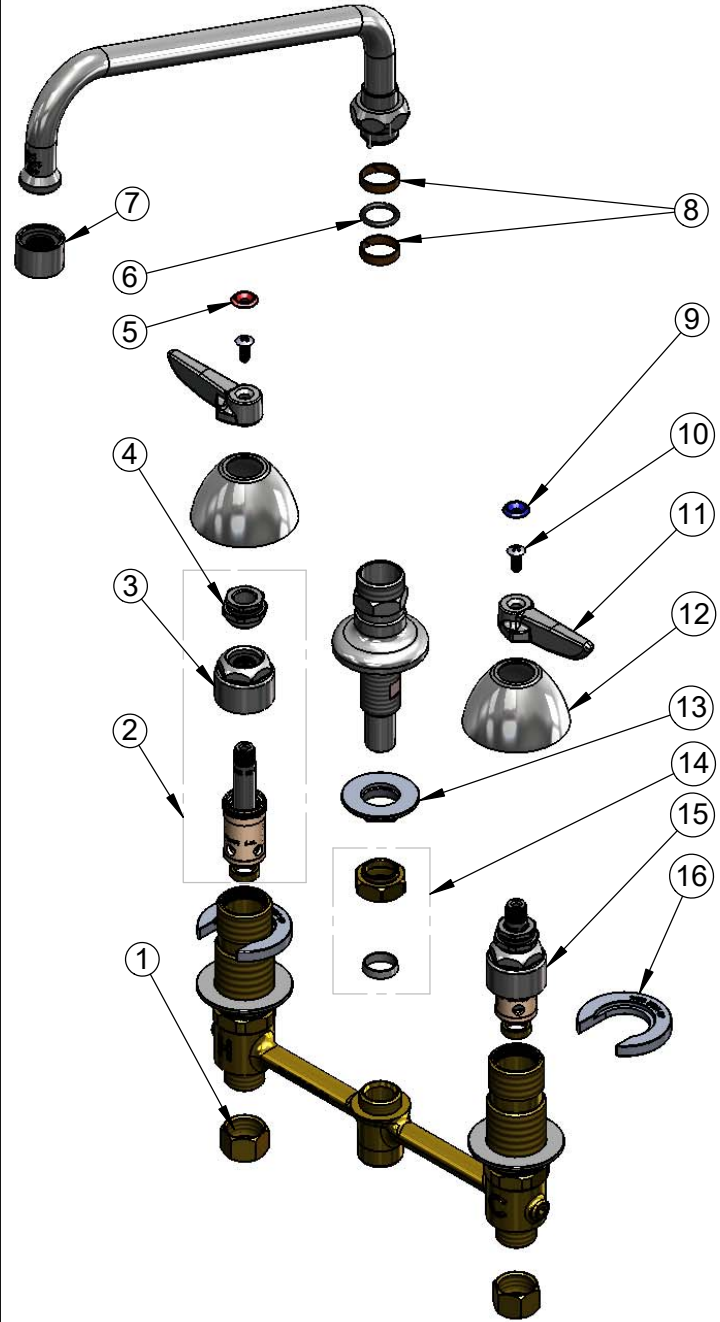
T&S BRASS AND BRONZE WORKS, INC.
 2 Saddleback Cove / P.O. Box 1088
 Travelers Rest, SC 29690

Model No.
B-2853-RSW-061X

Item No.

Travelers Rest, SC: 800-476-4103 • Simi Valley, CA: 800-423-0150 • Fax: 864-834-3518 • www.tsbrass.com

	ITEM NO.	SALES NO.	DESCRIPTION
	1	000958-20	Coupling Nut
	2	016926-40	EasyInstall CWS RTC 1/4 Turn Eterna (Teflon)
	3	016743-25	CWS Eterna Bonnet
	4	009002-25	Packing Nut Assembly
	5	001661-45	Red Index-HW
	6	001074-45	O-Ring
	7	B-0199-06-N05	VR 0.5 GPM Non-Aerated Spray Device, 55/64-27 UN Female w/ Key
	8	011429-45	Swivel Sleeves (2)
	9	001660-45	Blue Index-CW
	10	000922-45	Lever Handle Screw
	11	001638-45	Lever Handle
	12	001257-40	Bell Escutcheon
	13	016742-45	Center Flange Nut
	14	016745-45	Compression Nut & Fitting
	15	016925-40	EasyInstall CWS LTC 1/4 Turn Eterna (Teflon)
	16	016749-45	Sidebody C-Washer
	17	016777-45	CWS Hanger



017245-40
 Installation Repair Kit
 Includes #13, (2) #16, & #17



015425-45
 Vandal Resistant Aerator Key

Product Specifications:
 8" Deck Mount EasyInstall Mixing Faucet, Quarter-Turn Eterna Cartridges, Lever Handles, 10" Restricted Swing Nozzle w/ VR 0.5 GPM Non-Aerated Spray Device

Product Compliance:
 ASME A112.18.1 / CSA B125.1
 NSF 61 - Section 9
 NSF 372 (Low Lead Content)
 ANSI A117.1 (ADA)