



# T&S BRASS AND BRONZE WORKS, INC.

2 Saddleback Cove / P.O. Box 1088  
Travelers Rest, SC 29690

Model No.

**B-2851**

Item No.

Travelers Rest, SC: 800-476-4103 • Simi Valley, CA: 800-423-0150 • Fax: 864-834-3518 • www.tsbrass.com



**ADA Compliant**

This Space for Architect/Engineer Approval

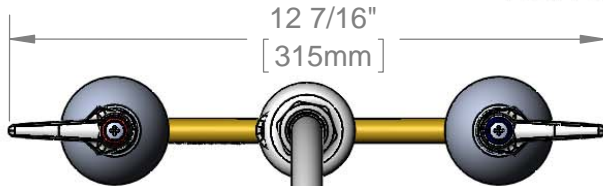
Job Name \_\_\_\_\_ Date \_\_\_\_\_

Model Specified \_\_\_\_\_ Quantity \_\_\_\_\_

Customer/Wholesaler \_\_\_\_\_

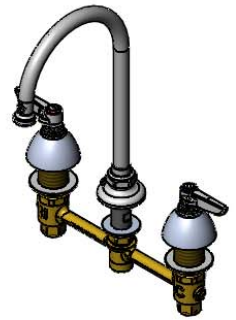
Contractor \_\_\_\_\_

Architect/Engineer \_\_\_\_\_

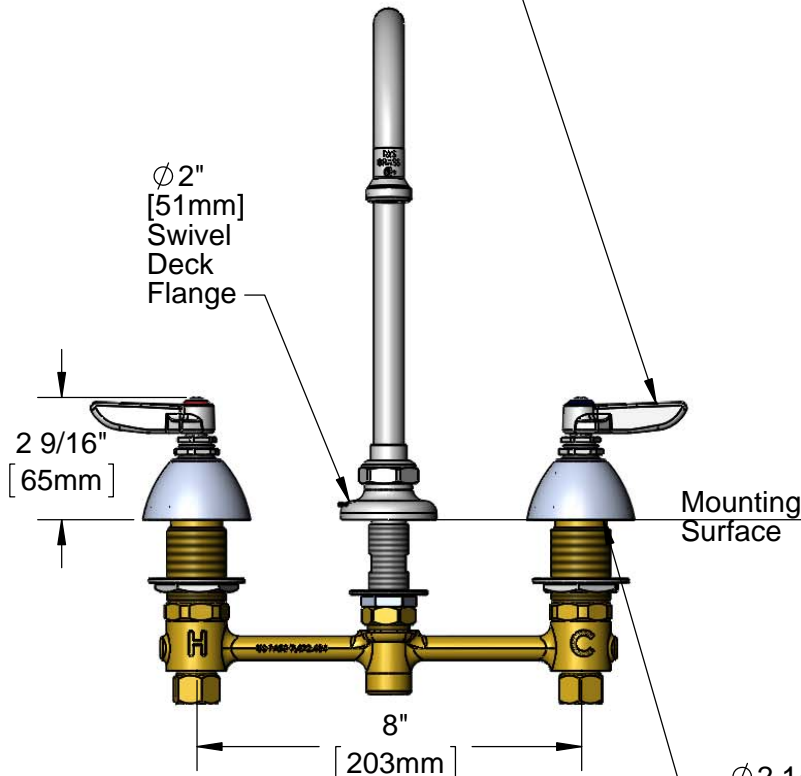


12 7/16"  
[315mm]

133X  
Swivel Gooseneck w/  
Stream Regulator Outlet.  
Rigid Conversion Requires  
014200-45 Lock Washer  
(Included)



Eterna Cartridges &  
Lever Handles w/  
Color Coded Indexes



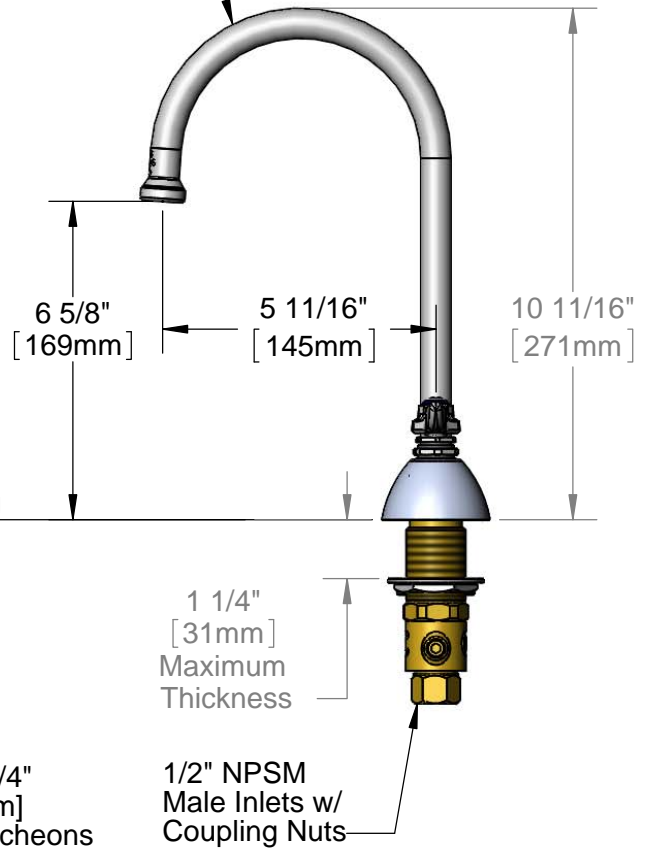
Ø2"  
[51mm]  
Swivel  
Deck  
Flange

2 9/16"  
[65mm]

Mounting  
Surface

8"  
[203mm]

Ø2 1/4"  
[57mm]  
Escutcheons



6 5/8"  
[169mm]

5 11/16"  
[145mm]

10 11/16"  
[271mm]

1 1/4"  
[31mm]  
Maximum  
Thickness

1/2" NPSM  
Male Inlets w/  
Coupling Nuts

**Rough-In Requirement:**  
Center Shank: Ø1" [25mm] Mounting Hole  
Hot/Cold Side: Ø1 1/2" [38mm] Mounting Holes

**Product Specifications:**  
8" Deck Mount EasyInstall Mixing Faucet, Eterna Cartridges, Lever Handles, Swivel Gooseneck, Stream Regulator Outlet & 1/2" NPSM Male Inlets

**Product Compliance:**  
ASME A112.18.1 / CSA B125.1  
NSF 61 - Section 9  
NSF 372 (Low Lead Content)  
ANSI A117.1 (ADA)

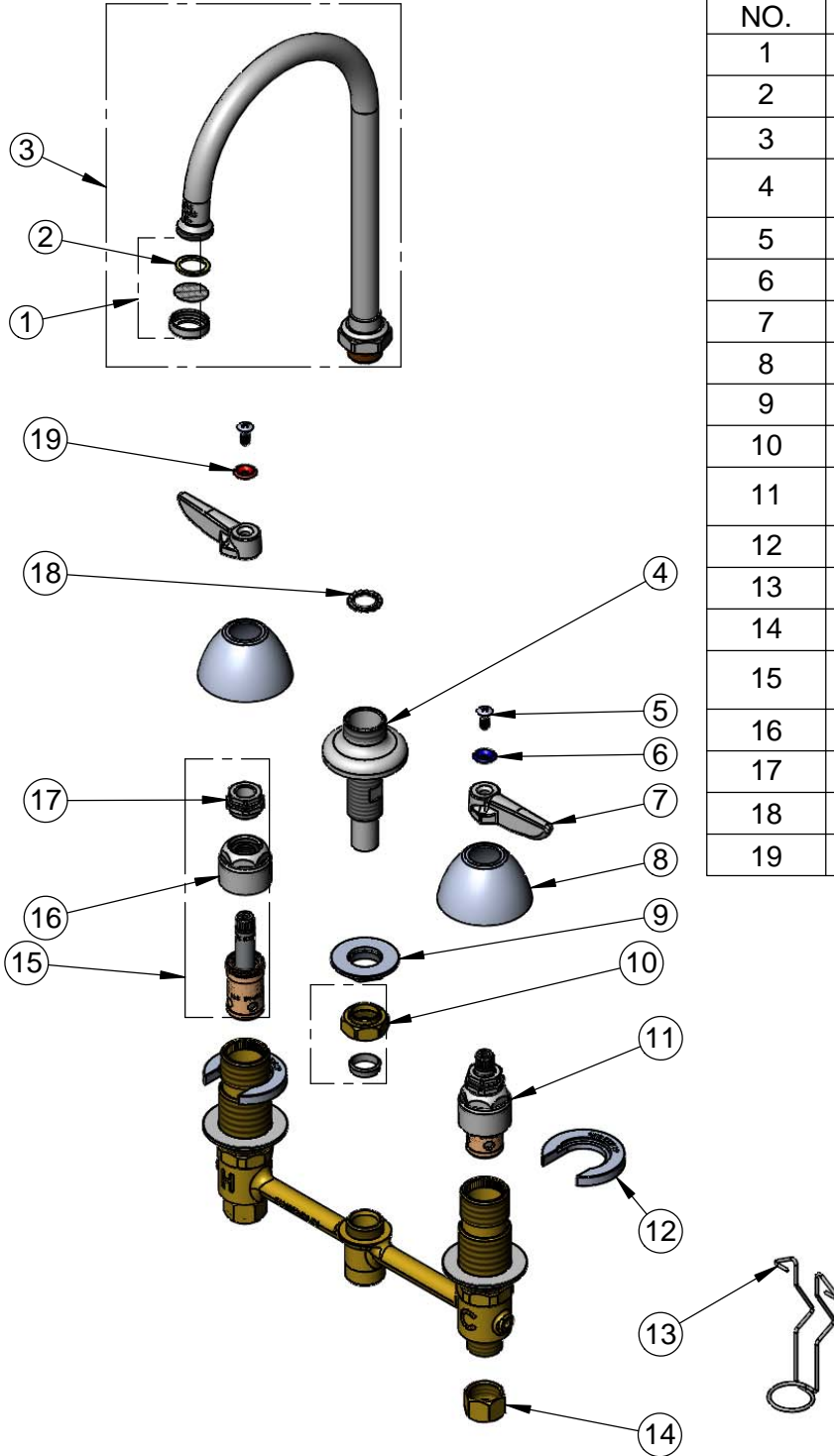


**T&S BRASS AND BRONZE WORKS, INC.**  
 2 Saddleback Cove / P.O. Box 1088  
 Travelers Rest, SC 29690

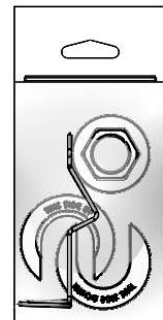
Model No.  
**B-2851**

Item No.

Travelers Rest, SC: 800-476-4103 • Simi Valley, CA: 800-423-0150 • Fax: 864-834-3518 • www.tsbrass.com



ITEM NO.	SALES NO.	DESCRIPTION
1	B-PT	Stream Regulator Outlet
2	001048-45	Nozzle Tip Washer
3	133X	6" Swivel Gooseneck
4	016754-40	EasyInstall CWS Swivel Center Shank
5	000922-45	Lever Handle Screw
6	001660-45	Blue Index-CW
7	001638-45	Lever Handle
8	001257-40	Bell Escutcheon
9	016742-45	Center Flange Nut
10	016745-45	Compression Nut & Fitting
11	016752-40	EasyInstall CWS LTC Eterna (Teflon)
12	016749-45	Sidebody C-Washer
13	016777-45	CWS Hanger
14	000958-20	Coupling Nut
15	016753-40	EasyInstall CWS RTC Eterna (Teflon)
16	016743-25	CWS Eterna Bonnet
17	009002-25	Packing Nut
18	014200-45	Star Washer, Anti-Rotation
19	001661-45	Red Index-HW



017245-40  
 Installation Repair Kit  
 Includes #9, (2)#12, & #13

Product Specifications:  
 8" Deck Mount EasyInstall Mixing Faucet, Eterna Cartridges, Lever Handles, Swivel Gooseneck, Stream Regulator Outlet & 1/2" NPSM Male Inlets

Product Compliance:  
 ASME A112.18.1 / CSA B125.1  
 NSF 61 - Section 9  
 NSF 372 (Low Lead Content)  
 ANSI A117.1 (ADA)