

T&S BRASS AND BRONZE WORKS, INC.

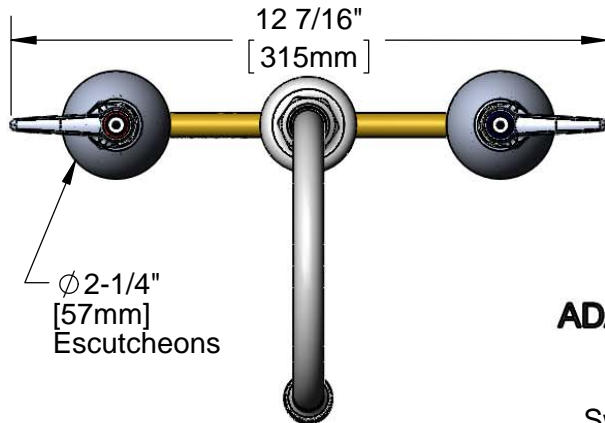
2 Saddleback Cove / P.O. Box 1088
Travelers Rest, SC 29690

Model No.

B-2851-133X-VR

Item No.

Travelers Rest, SC: 800-476-4103 • Simi Valley, CA: 800-423-0150 • Fax: 864-834-3518 • www.tsbrass.com



Ø2-1/4"
[57mm]
Escutcheons

This Space for Architect/Engineer Approval

Job Name _____ Date _____

Model Specified _____ Quantity _____

Customer/Wholesaler _____

Contractor _____

Architect/Engineer _____



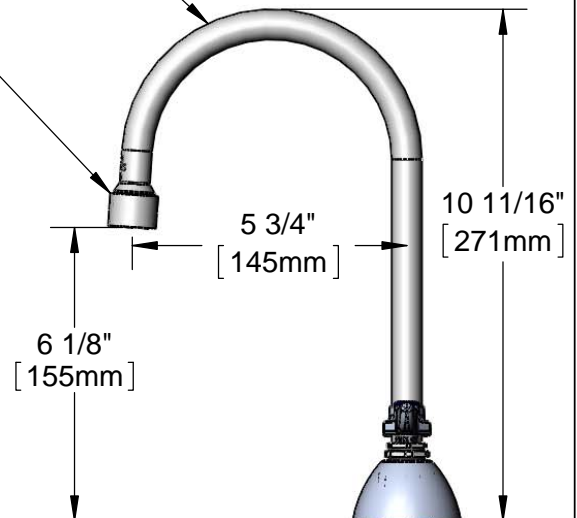
ADA Compliant

Swivel Gooseneck
(Optional Swivel/Rigid
Washer Included)

B-0199-21-VRF
2.2 GPM VR
Laminar Device

Eterna Cartridges &
Lever Handles w/
Color Coded Indexes
& VR Screws

Ø2"
[51mm]
Swivel Deck
Flange



Mounting
Surface

1-1/4"
[32mm]
Max Thickness

1/2" NPSM
Coupling Nuts

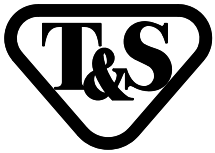


Rough-In Requirement:

- Ø1" [25mm] for Center Shank
- Ø1-1/2" [38mm] for Hot/Cold Side

Product Specifications:
EasyInstall Faucet, Lever Handles w/ VR Screws, Eterna Cartridges,
8" Inlet Centers, Swivel Gooseneck w/ 2.2 GPM VR
Laminar Flow Device

Drawn JRM	Checked DMH	Approved JHB
Scale: 1:4		Date: 06/21/12

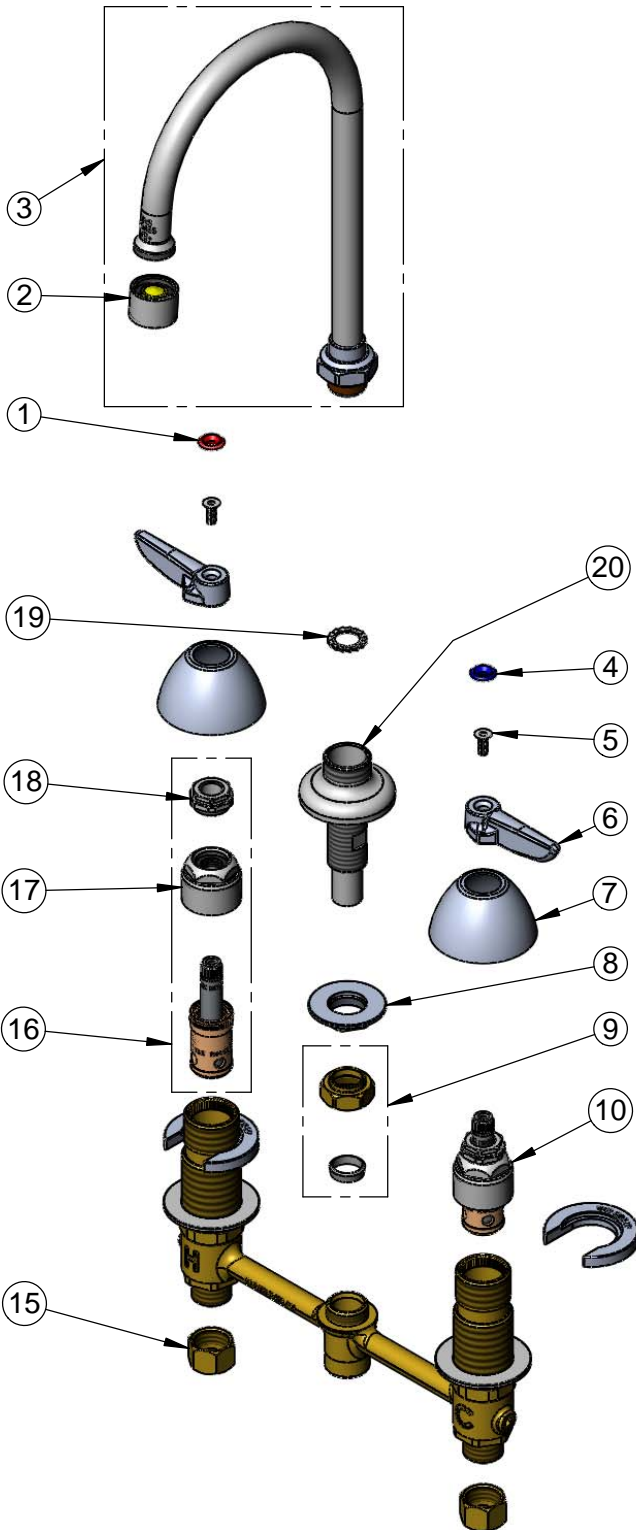


T&S BRASS AND BRONZE WORKS, INC.
 2 Saddleback Cove / P.O. Box 1088
 Travelers Rest, SC 29690

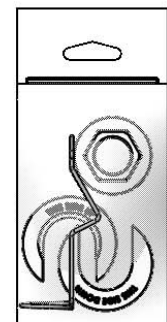
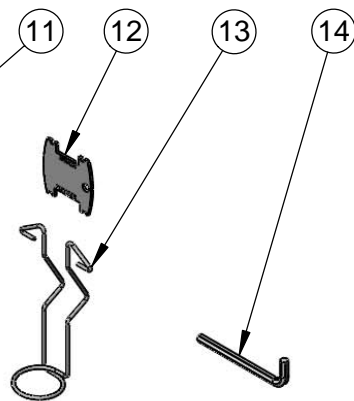
Model No.
B-2851-133X-VR

Item No.

Travelers Rest, SC: 800-476-4103 • Simi Valley, CA: 800-423-0150 • Fax: 864-834-3518 • www.tsbrass.com



ITEM NO.	SALES NO.	DESCRIPTION
1	001661-45	Red Index-HW
2	B-0199-21-VRF	VR Laminar Flow Device
3	133X-LAM-VR	6" Swivel Gooseneck w/ VR Laminar Flow Device
4	001660-45	Blue Index-CW
5	B-VRS	Pin-In-Socket Screw w/ Hex Key
6	001638-45	Lever Handle
7	001257-40	Bell Escutcheon
8	016742-45	Center Flange Nut
9	016745-45	Compression Nut & Fitting
10	016752-40	EasyInstall CWS LTC Eterna (Teflon)
11	016749-45	C-Washer
12	015425-45	Vandal Resistant Key
13	016777-45	CWS Hanger
14	010587-45	Pin-in-Socket Hex Key
15	000958-20	Coupling Nut
16	016753-40	EasyInstall CWS RTC Eterna (Teflon)
17	016743-25	CWS Bonnet Assembly
18	009002-25	Packing Nut Assembly
19	014200-45	Star Washer, Anti-Rotation
20	016754-40	EasyInstall CWS Swivel Center Shank



017245-40
 Installation Repair Kit
 Includes #8, (2)#11, & #13

Product Specifications:
 EasyInstall Faucet, Lever Handles w/ VR Screws, Eterna Cartridges,
 8" Inlet Centers, Swivel Gooseneck w/ 2.2 GPM VR
 Laminar Flow Device

Drawn JRM	Checked DMH	Approved JHB
Scale: NTS		Date: 06/21/12