



T&S BRASS AND BRONZE WORKS, INC.
 2 Saddleback Cove / P.O. Box 1088
 Travelers Rest, SC 29690

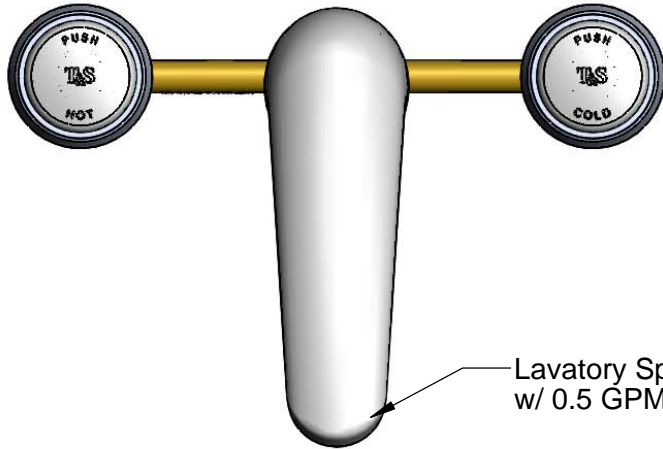
Model No.
B-2823-02

Item No.

Travelers Rest, SC: 800-476-4103 • Simi Valley, CA: 800-423-0150 • Fax: 864-834-3518 • www.tsbrass.com



ADA Compliant



Lavatory Spout
 w/ 0.5 GPM Aerator

This Space for Architect/Engineer Approval

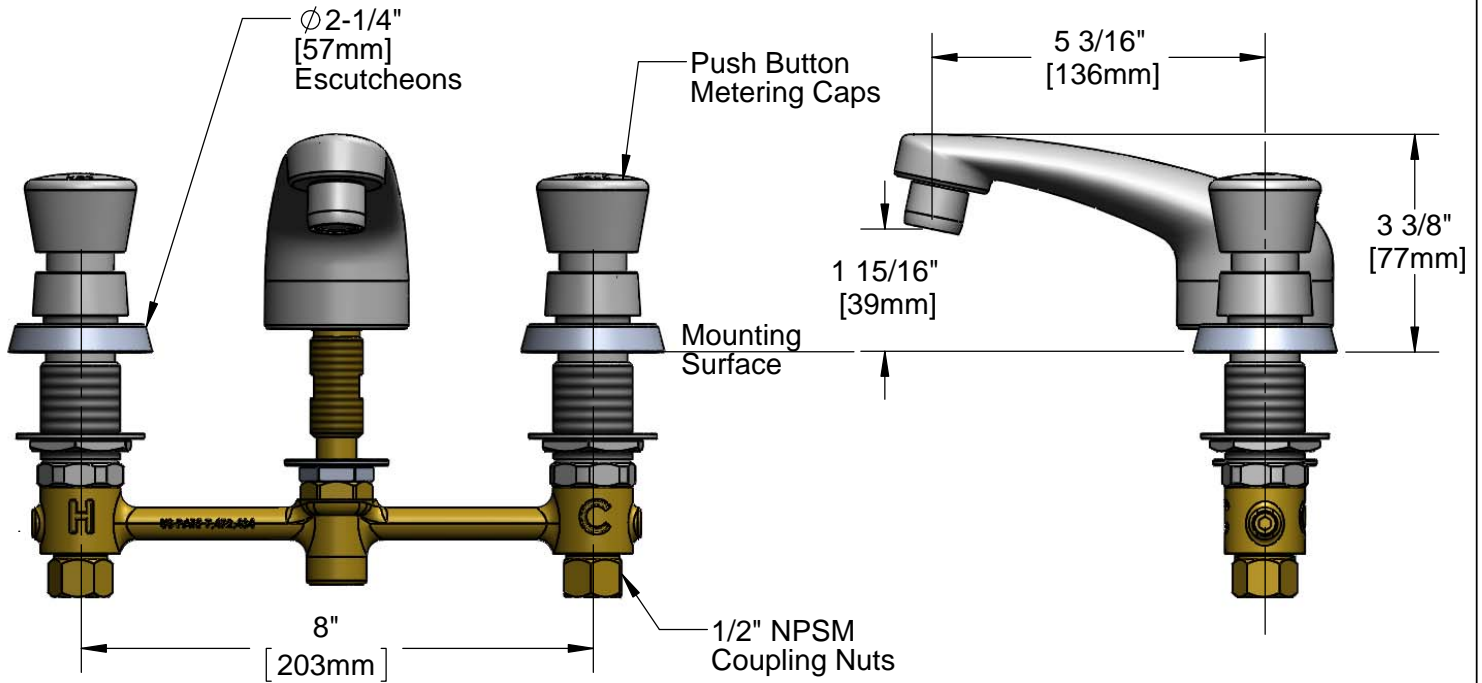
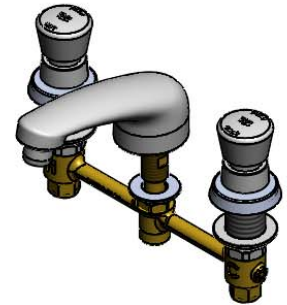
Job Name _____ Date _____

Model Specified _____ Quantity _____

Customer/Wholesaler _____

Contractor _____

Architect/Engineer _____



Rough-In Required:
 Ø 1" [25mm] for Center Shank
 Ø 1 1/2" [38mm] for Hot/Cold Side

Product Specifications:
 EasyInstall Faucet w/ Push Button Handles, Metering Cartridges, 8" Inlet Centers & Lavatory Spout w/ 0.5 GPM Aerator

Product Compliance:
 ASME A112.18.1 / CSA B125.1
 NSF 61 - Section 9
 NSF 372 (Low Lead Content)
 ANSI A117.1 (ADA)



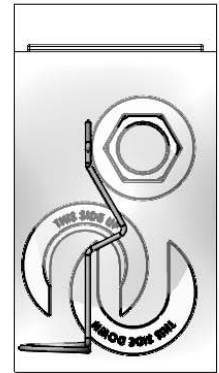
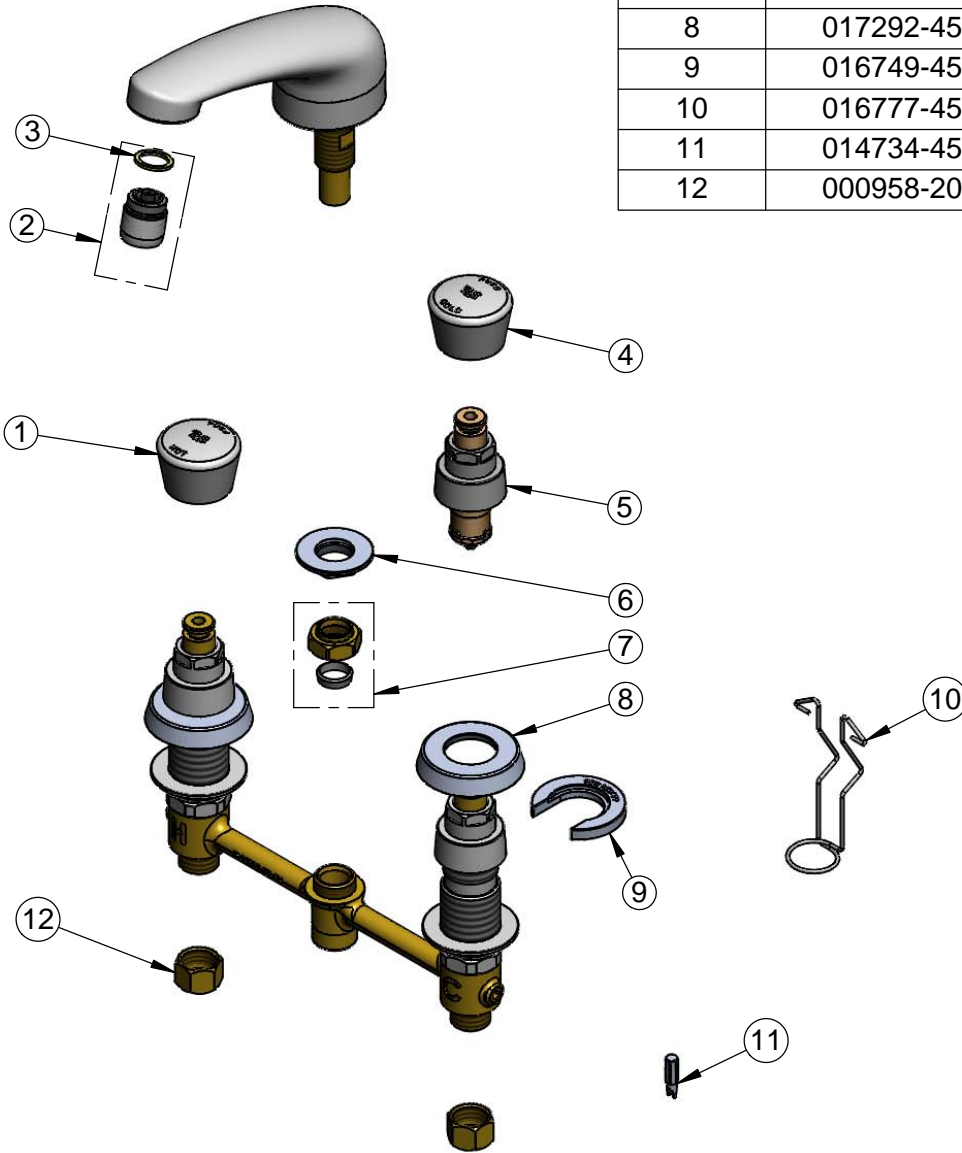
T&S BRASS AND BRONZE WORKS, INC.
 2 Saddleback Cove / P.O. Box 1088
 Travelers Rest, SC 29690

Model No.
B-2823-02

Item No.

Travelers Rest, SC: 800-476-4103 • Simi Valley, CA: 800-423-0150 • Fax: 864-834-3518 • www.tsbrass.com

ITEM NO.	SALES NO.	DESCRIPTION
1	014194-40	Hot Cap Assembly
2	B-0199-03F-05	0.5 GPM Male Aerator
3	001048-45	Nozzle Tip Washer
4	014195-40	Cold Cap Assembly
5	238A	Push Button Metering Cartridge
6	016742-45	Center Flange Nut
7	016745-45	Compression Nut & Fitting
8	017292-45	Metering CWS Escutcheon
9	016749-45	Sidebody C-Washer
10	016777-45	CWS Hanger
11	014734-45	#8 Spanner Bit
12	000958-20	Coupling Nut



017245-40
 Installation Repair Kit
 Includes #6, (2)#9, & #10

Product Specifications:
 EasyInstall Faucet w/ Push Button Handles, Metering Cartridges, 8" Inlet
 Centers & Lavatory Spout w/ 0.5 GPM Aerator

Product Compliance:
 ASME A112.18.1 / CSA B125.1
 NSF 61 - Section 9
 NSF 372 (Low Lead Content)
 ANSI A117.1 (ADA)