



# T&S BRASS AND BRONZE WORKS, INC.

2 Saddleback Cove / P.O. Box 1088  
Travelers Rest, SC 29690

Model No.  
**B-2820-PA**

Item No.

Travelers Rest, SC: 800-476-4103 Simi Valley, CA: 800-423-0150 Fax: 864-834-3518 www.tsbrass.com

This Space for Architect/Engineer Approval

Job Name \_\_\_\_\_ Date \_\_\_\_\_

Model Specified \_\_\_\_\_ Quantity \_\_\_\_\_

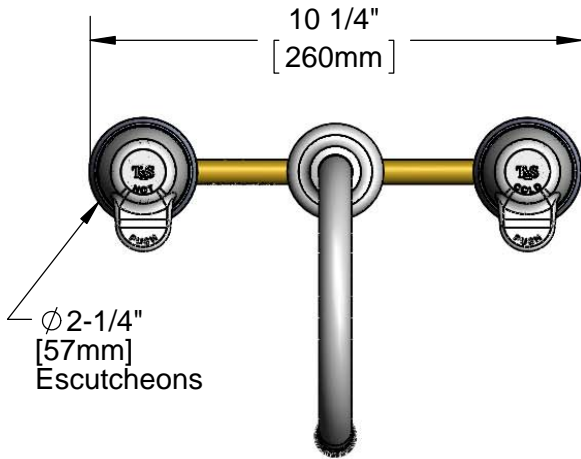
Customer/Wholesaler \_\_\_\_\_

Contractor \_\_\_\_\_

Architect/Engineer \_\_\_\_\_

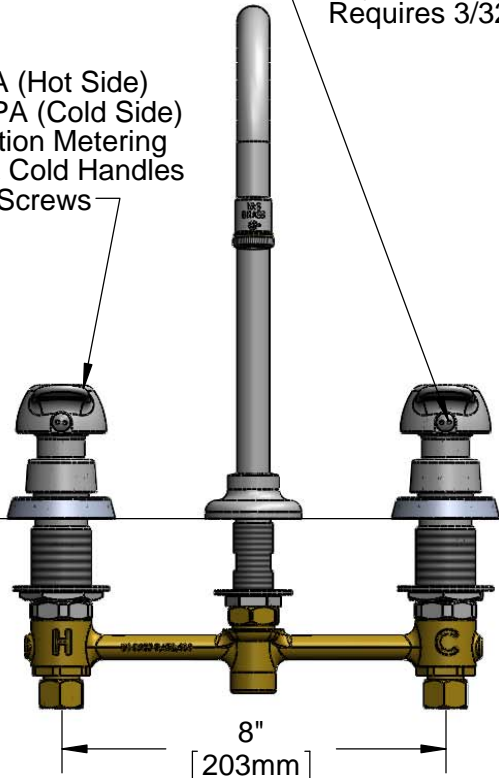


**ADA Compliant**

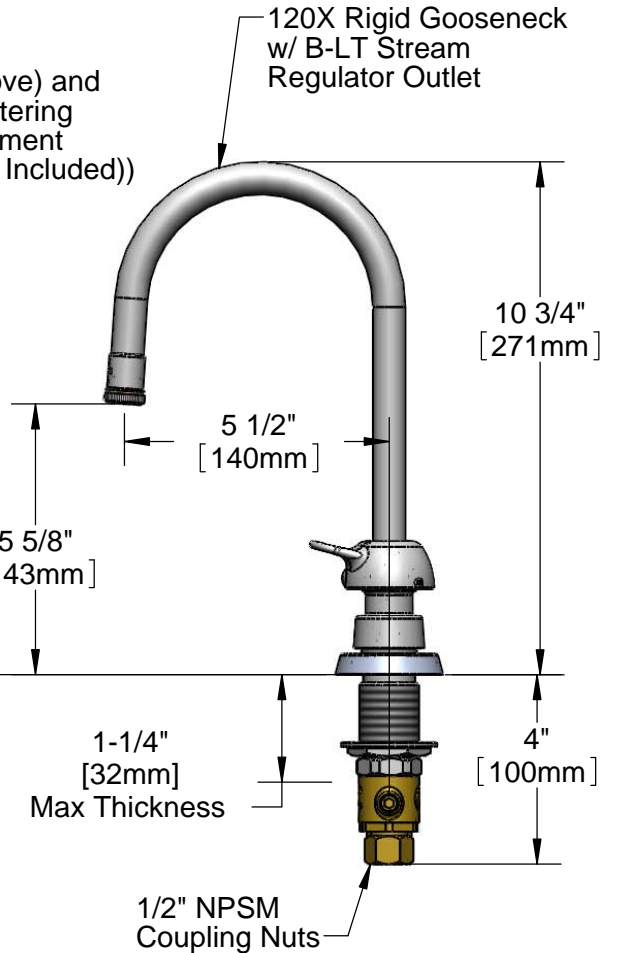


Vandal Resistant Screw.  
Loosen Screw (Do Not Remove) and  
Flip Handle Up to Access Metering  
Adjustment. (Metering Adjustment  
Requires 3/32" Hex Key (Not Included))

238H-PA (Hot Side)  
238AC-PA (Cold Side)  
Pivot Action Metering  
w/ Hot & Cold Handles  
and VR Screws



Mounting  
Surface



Rough-In Requirement:  
Ø 1" [25mm] for Center Shank  
Ø 1-1/2" [38mm] for Hot/Cold Side

Product Specifications:

EasyInstall CWS Faucet, Pivot Action Metering Assembly,  
Rigid Spout w/ Stream Regulator Outlet & 8" Inlets

Drawn  
**JRM**

Checked  
**DMH**

Approved  
**JHB**

Scale:

**1:5**

Date:

**06/21/12**



**T&S BRASS AND BRONZE WORKS, INC.**

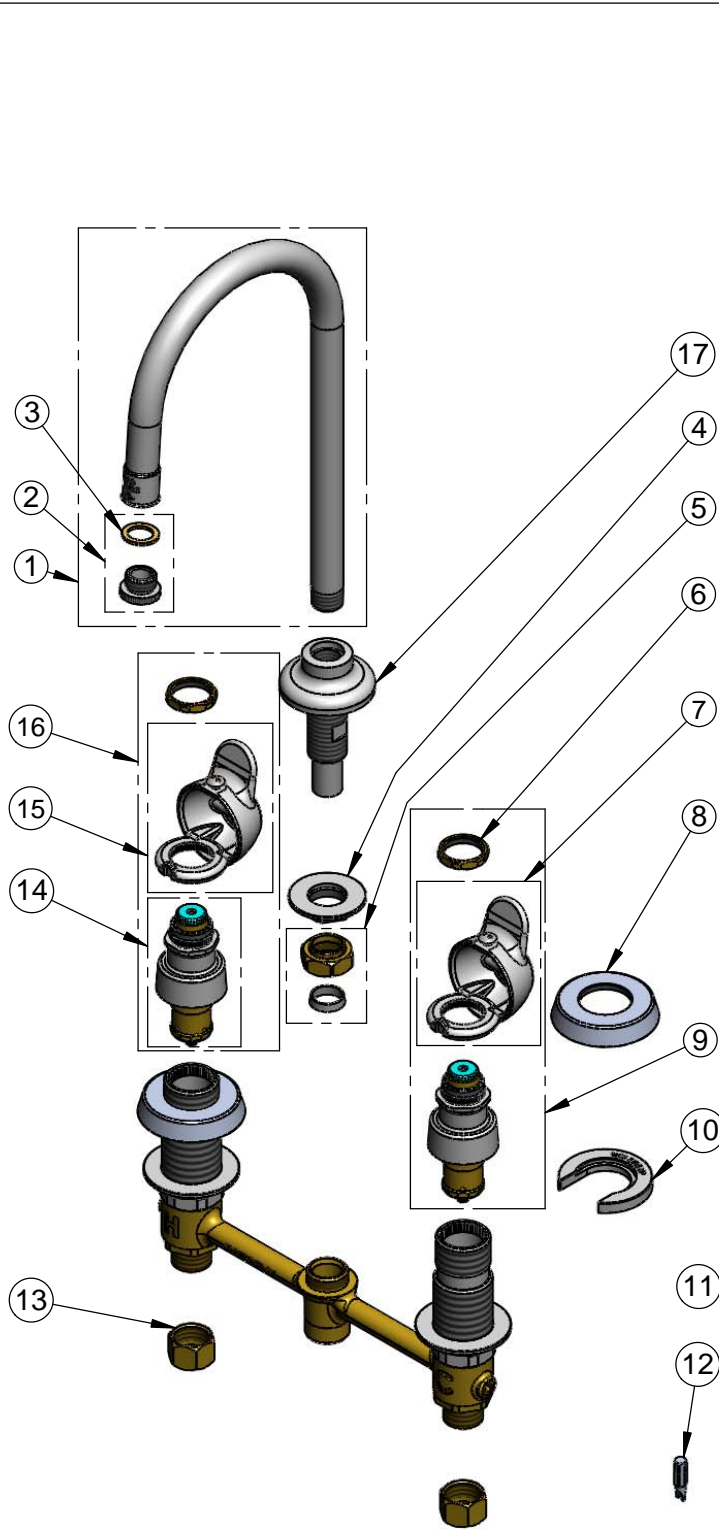
2 Saddleback Cove / P.O. Box 1088  
Travelers Rest, SC 29690

Model No.

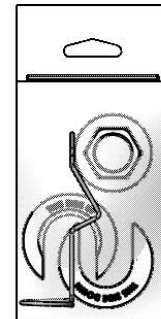
**B-2820-PA**

Item No.

Travelers Rest, SC: 800-476-4103 Simi Valley, CA: 800-423-0150 Fax: 864-834-3518 www.tsbrass.com



ITEM NO.	SALES NO.	DESCRIPTION
1	120X	Rigid GN w/ B-LT
2	B-LT	Stream Regulator Outlet
3	001043-45	Washer
4	016742-45	Center Flange Nut
5	016745-45	Compression Nut & Fitting
6	PA-N	Retaining Nut
7	PA-C	Cold Pivot Action Handle Assembly w/ Retaining Nut & Spanner Bit
8	017292-45	Metering CWS Escutcheon
9	238AC-PA	Pivot Action Metering Cartridge w/ Cold Pivot Action Handle, Retaining Nut & Spanner Bit
10	016749-45	Sidebody C-Washer
11	016777-45	CWS Hanger
12	014734-45	#8 Spanner Bit
13	000958-20	Coupling Nut
14	238A-PA	Pivot Action Metering Cartridge w/ Retaining Nut
15	PA-H	Hot Pivot Action Handle Assembly w/ Retaining Nut & Spanner Bit
16	238AH-PA	Pivot Action Metering Cartridge w/ Hot Pivot Action Handle, Retaining Nut & Spanner Bit
17	016847-40	EasyInstall CWS Rigid Center Shanks



017245-40  
Installation Repair Kit  
Includes #4, (2)#10, & #11

Product Specifications:

EasyInstall CWS Faucet, Pivot Action Metering Assembly,  
Rigid Spout w/ Stream Regulator Outlet & 8" Inlets

Drawn <b>JRM</b>	Checked <b>DMH</b>	Approved <b>JHB</b>
Scale: <b>NTS</b>		Date: <b>06/21/12</b>