



T&S BRASS AND BRONZE WORKS, INC.

2 Saddleback Cove / P.O. Box 1088
Travelers Rest, SC 29690

Model No.

B-2820-01

Item No.

Travelers Rest, SC: 800-476-4103 • Simi Valley, CA: 800-423-0150 • Fax: 864-834-3518 • www.tsbrass.com

This Space for Architect/Engineer Approval

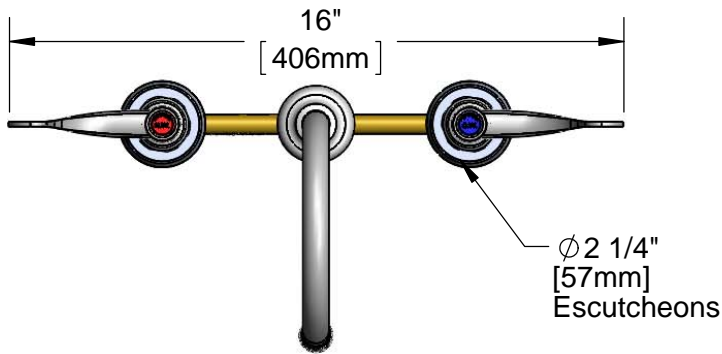
Job Name _____ Date _____

Model Specified _____ Quantity _____

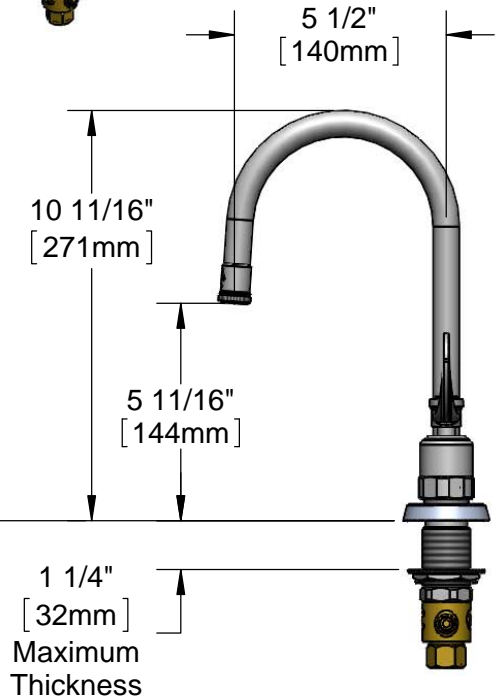
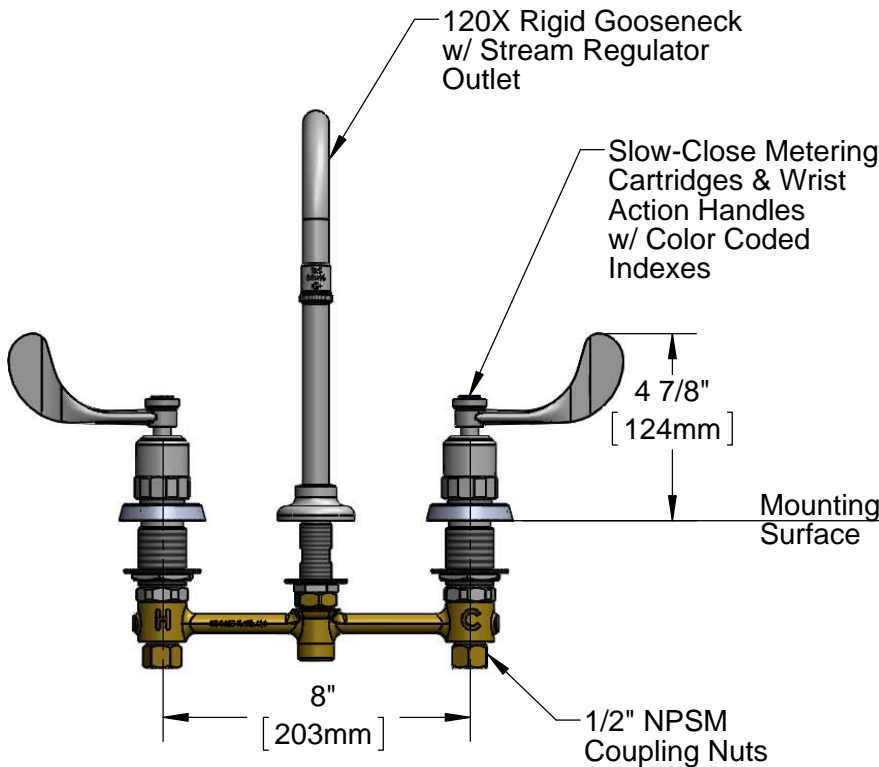
Customer/Wholesaler _____

Contractor _____

Architect/Engineer _____



ADA Compliant



Rough-In Required:
Ø 1" [25mm] for Center Shank
Ø 1 1/2" [38mm] for Hot/Cold Side

Product Specifications:
8" Deck Mount EasyInstall Mixing Faucet w/ 4" Wrist Action Handles, Slow-Close Metering Cartridge, Rigid Gooseneck w/ Stream Regulator Outlet and 1/2" NPSM Male Inlets

Product Compliance:
ASME A112.18.1 / CSA B125.1
NSF 61 - Section 9
NSF 372 (Low Lead Content)
ANSI A117.1 (ADA)



T&S BRASS AND BRONZE WORKS, INC.

2 Saddleback Cove / P.O. Box 1088
Travelers Rest, SC 29690

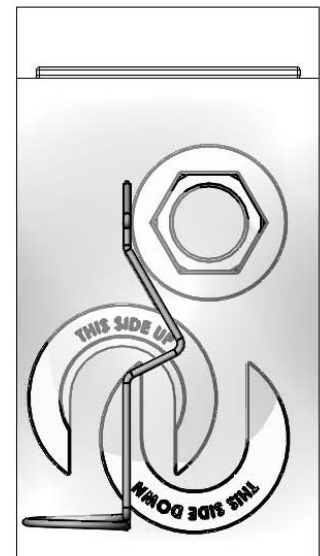
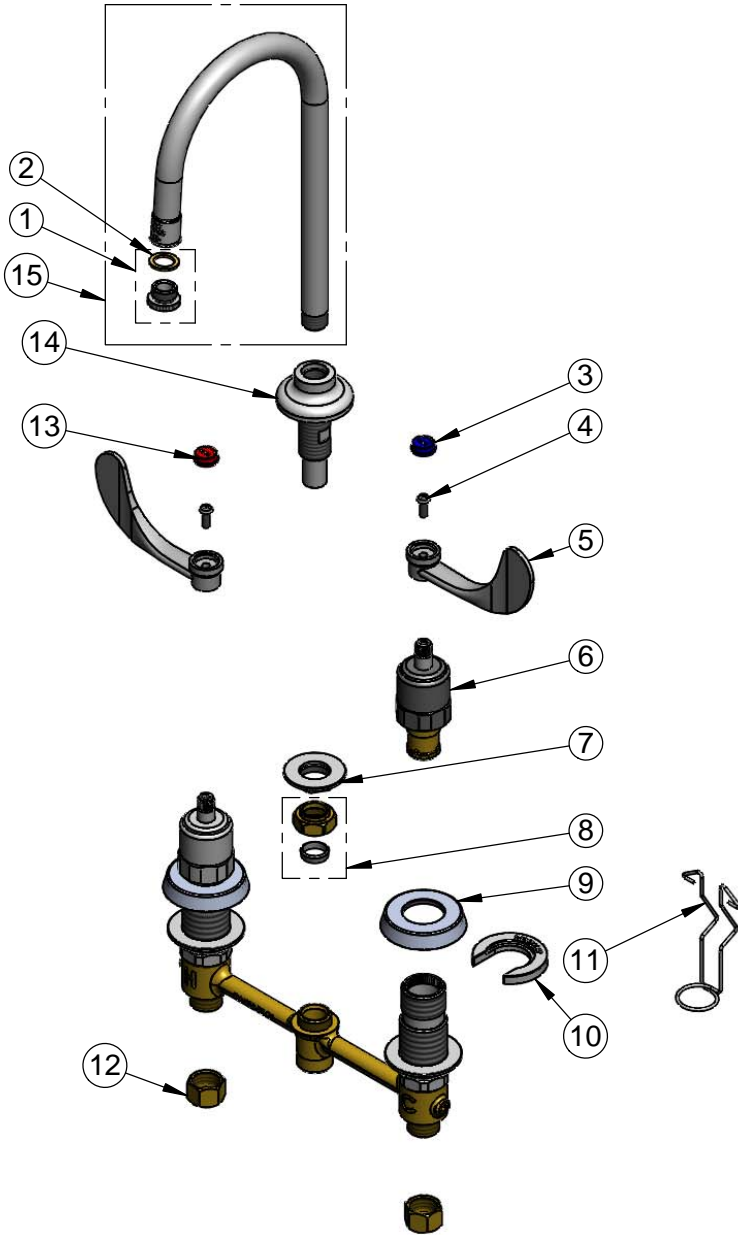
Model No.

B-2820-01

Item No.

Travelers Rest, SC: 800-476-4103 • Simi Valley, CA: 800-423-0150 • Fax: 864-834-3518 • www.tsbrass.com

ITEM NO.	SALES NO.	DESCRIPTION
1	B-LT	Stream Regulator Outlet
2	001043-45	Washer
3	001686-45	Blue Index - CW
4	000925-45	Lab Handle Screw
5	B-WH4	4" Wrist Action Handle
6	012449-40	Wrist Action Metering Cartridge Assembly
7	016742-45	Center Flange Nut
8	016745-45	Compression Nut & Fitting
9	017292-45	Metering CWS Escutcheon
10	016749-45	Sidebody C-Washer
11	016777-45	CWS Hanger
12	000958-20	Coupling Nut
13	001194-45	Red Index - HW
14	016847-40	EasyInstall CWS Rigid Center Shank
15	120X	Rigid Gooseneck w/ Stream Regulator Outlet



017245-40
Installation Repair Kit
Includes #7, (2) #10, #11

Product Specifications:

8" Deck Mount EasyInstall Mixing Faucet w/ 4" Wrist Action Handles, Slow-Close Metering Cartridge, Rigid Gooseneck w/ Stream Regulator Outlet and 1/2" NPSM Male Inlets

Product Compliance:

ASME A112.18.1 / CSA B125.1
NSF 61 - Section 9
NSF 372 (Low Lead Content)
ANSI A117.1 (ADA)