



**T&S BRASS AND BRONZE WORKS, INC.**  
 2 Saddleback Cove / P.O. Box 1088  
 Travelers Rest, SC 29690

Model No.

**B-2800-WA-KIT**

Item No.

Travelers Rest, SC: 800-476-4103 • Simi Valley, CA: 800-423-0150 • Fax: 864-834-3518 • www.tsbrass.com

This Space for Architect/Engineer Approval

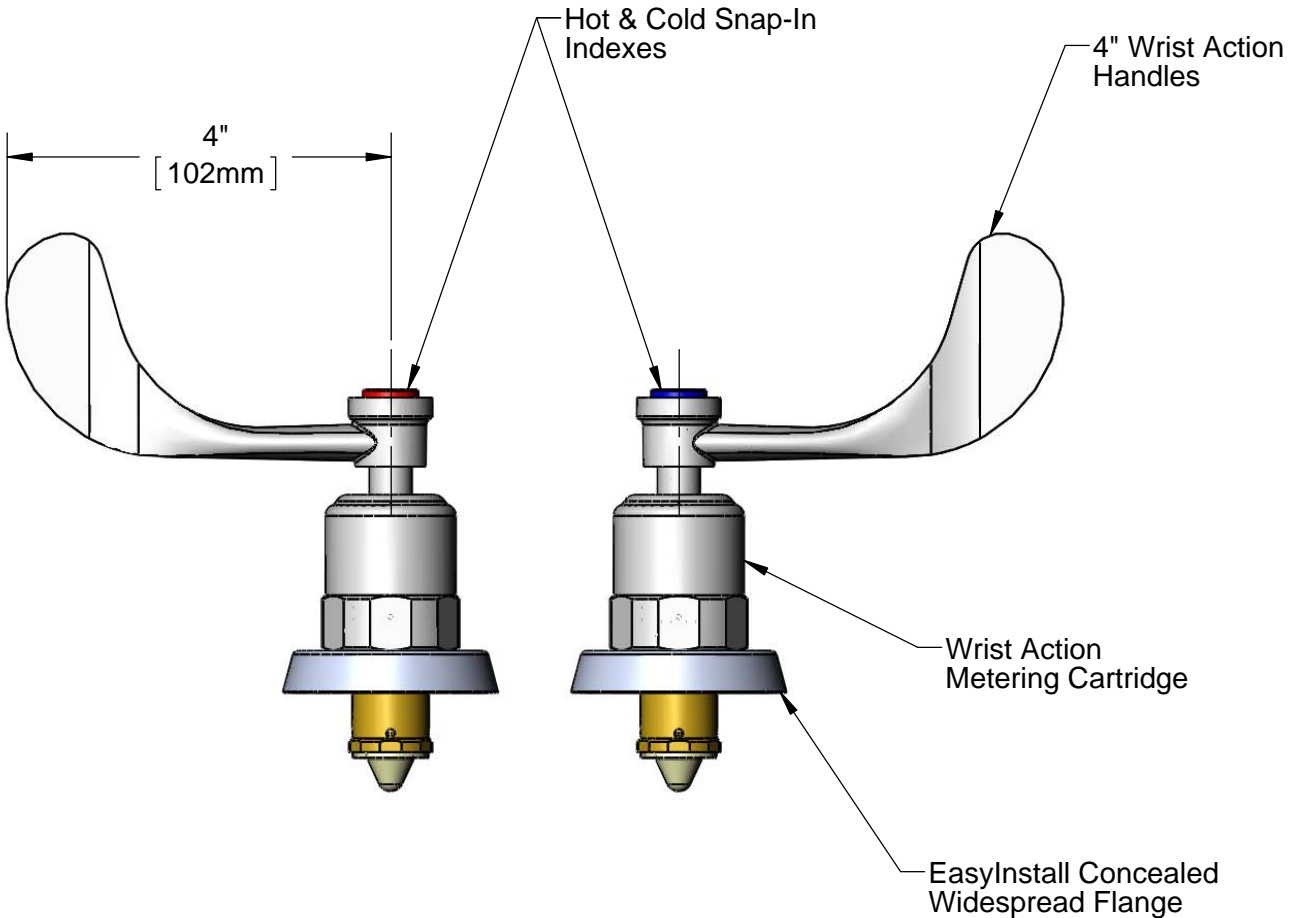
Job Name \_\_\_\_\_ Date \_\_\_\_\_

Model Specified \_\_\_\_\_ Quantity \_\_\_\_\_

Customer/Wholesaler \_\_\_\_\_

Contractor \_\_\_\_\_

Architect/Engineer \_\_\_\_\_



Product Specifications:  
 Wrist Action Metering Cartridges w/ EasyInstall Concealed  
 Widespread Flanges, 4" Wrist Action Handles  
 w/ Screws and Snap-In Indexes

Drawn <b>JRM</b>	Checked <b>KJG</b>	Approved <b>JHB</b>
Scale: <b>1:4</b>		Date: <b>10/25/12</b>



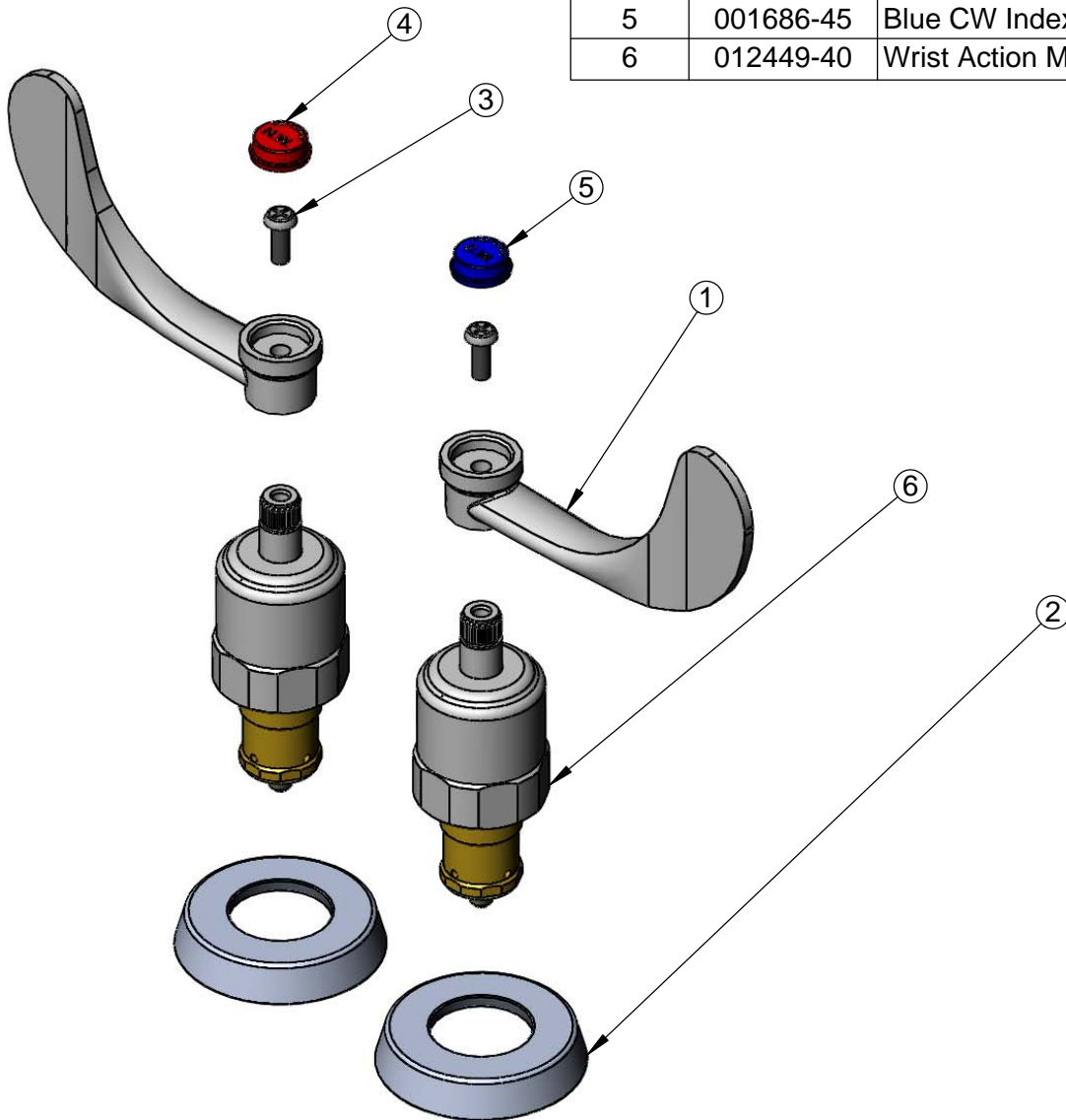
**T&S BRASS AND BRONZE WORKS, INC.**  
 2 Saddleback Cove / P.O. Box 1088  
 Travelers Rest, SC 29690

Model No.  
**B-2800-WA-KIT**

Item No.

Travelers Rest, SC: 800-476-4103 • Simi Valley, CA: 800-423-0150 • Fax: 864-834-3518 • www.tsbrass.com

ITEM NO.	SALES NO.	DESCRIPTION
1	B-WH4	4" Wrist Action Handle
2	017292-45	Metering CWS Escutcheon
3	000925-45	Lab Handle Screw
4	001194-45	Red HW Index
5	001686-45	Blue CW Index
6	012449-40	Wrist Action Metering Cartridge Asm



Product Specifications:  
 Wrist Action Metering Cartridges w/ EasyInstall Concealed  
 Widespread Flanges, 4" Wrist Action Handles  
 w/ Screws and Snap-In Indexes

Drawn <b>JRM</b>	Checked <b>KJG</b>	Approved <b>JHB</b>
Scale: <b>NTS</b>		Date: <b>10/25/12</b>