



# T&S BRASS AND BRONZE WORKS, INC.

2 Saddleback Cove / P.O. Box 1088  
Travelers Rest, SC 29690



REG. #A2601  
ISO #9001

Model No.

**B-2742-LH**

Item No.

Travelers Rest, SC: 800-476-4103 Simi Valley, CA: 800-423-0150 Fax: 864-834-3518 www.tsbrass.com

This Space for Architect/Engineer Approval

Job Name \_\_\_\_\_ Date \_\_\_\_\_

Model Specified \_\_\_\_\_ Quantity \_\_\_\_\_

Customer/Wholesaler \_\_\_\_\_

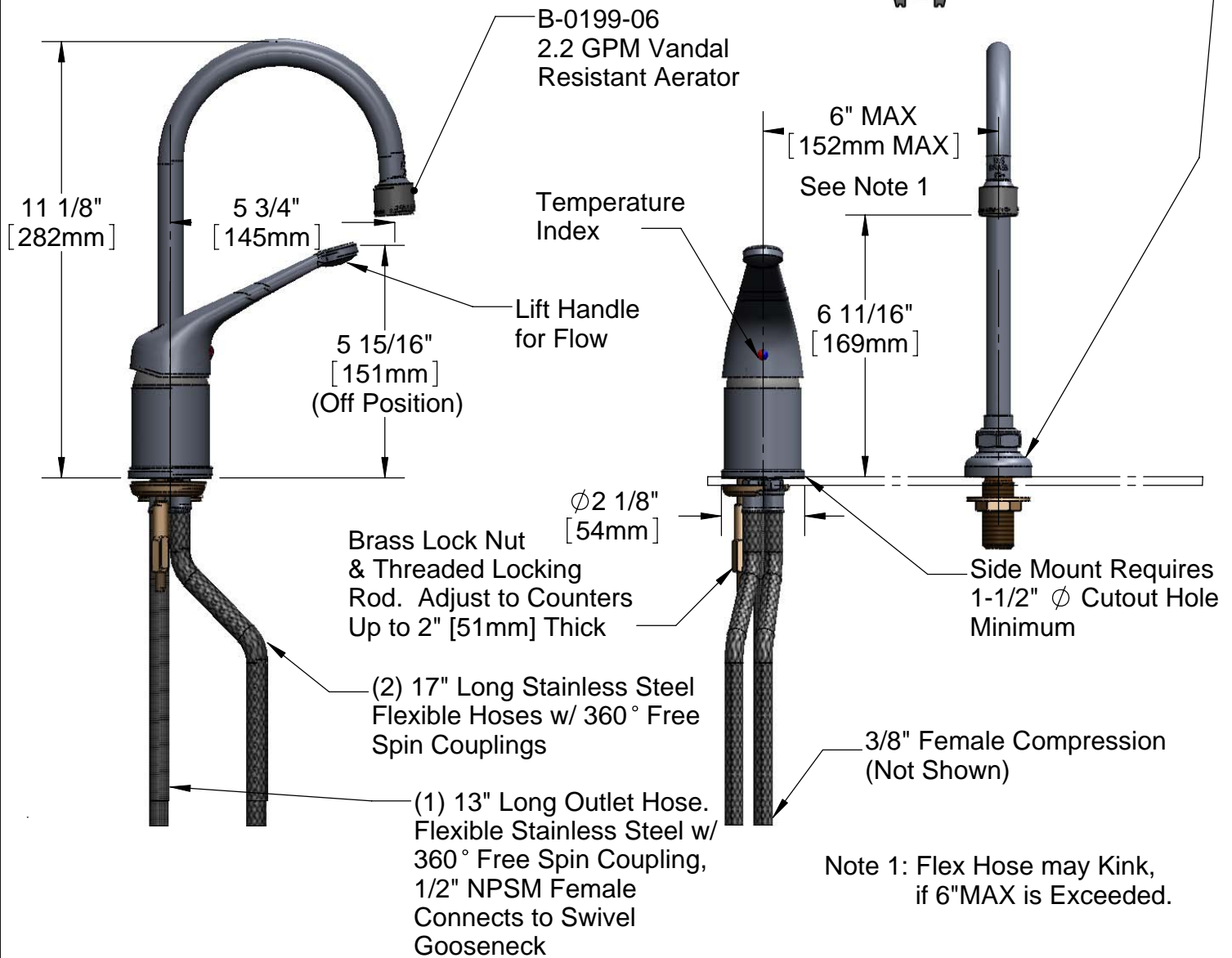
Contractor \_\_\_\_\_

Architect/Engineer \_\_\_\_\_



1 11/16" Swivel Deck Mount  
Requires 1"  $\phi$  Cutout Hole  
Minimum

Vandal Resistant  
Key



Product Specifications:

**Side Mount Faucet, Remote Control Base, Long Handle  
w/ Flexible Stainless Steel Water Connectors  
w/ Ceramic Cartridge, Swivel Gooseneck & Vandal  
Resistant Aerator**

Drawn <b>ARH</b>	Checked <b>DHL</b>	Approved <b>JHB</b>
Scale: <b>1:4</b>		Date: <b>03/20/09</b>



**T&S BRASS AND BRONZE WORKS, INC.**

2 Saddleback Cove / P.O. Box 1088  
Travelers Rest, SC 29690



REG. #A2601  
ISO #9001

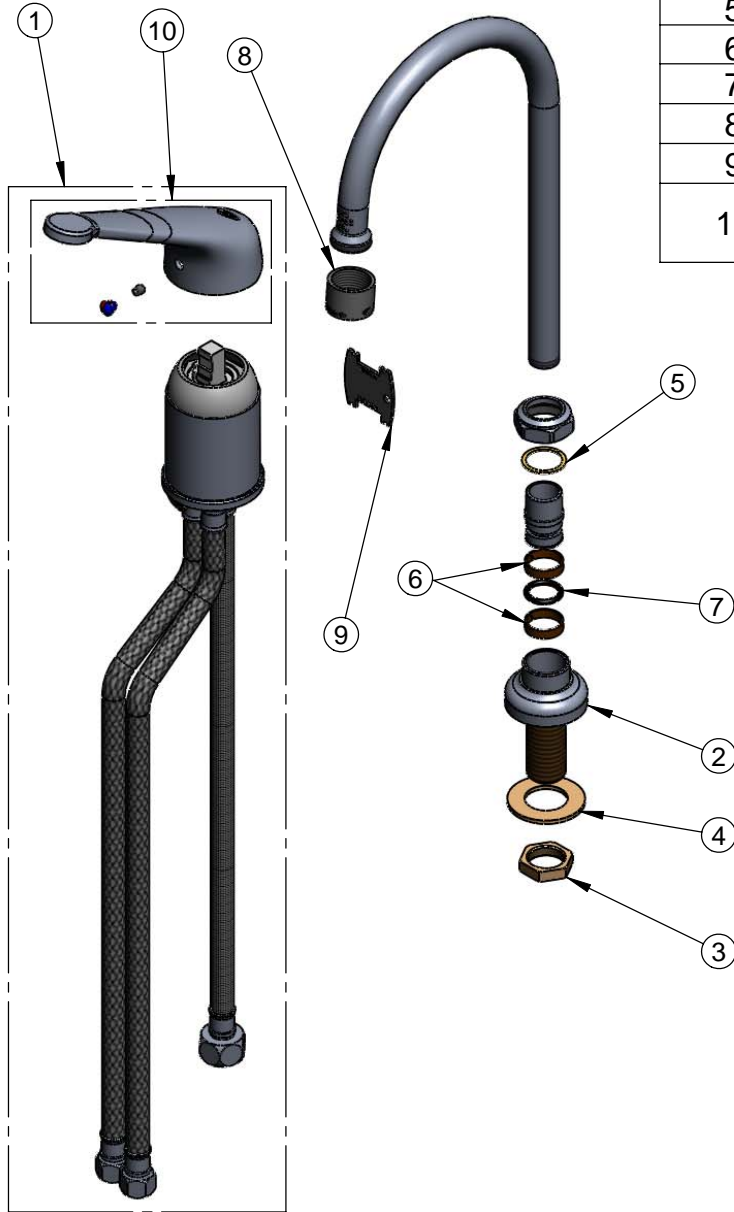
Model No.

**B-2742-LH**

Item No.

Travelers Rest, SC: 800-476-4103 Simi Valley, CA: 800-423-0150 Fax: 864-834-3518 www.tsbrass.com

ITEM NO.	SALES NO.	DESCRIPTION
1	B-2740	Base, B-2740 Side Mount
2	000137-40	Flange, Swivel Center
3	002954-45	Shank Lock Nut
4	000999-45	Brass Lock Washer
5	009538-45	Swivel Washer
6	011429-45	Swivel Sleeve (2)
7	001074-45	O-Ring
8	B-0199-06	VR Aerator w/ Key
9	Q015425-45	Vandal Resistant Key
10	013429-45	B-2710 Long Handle, Single Lever, w/ Setscrew



Product Specifications:

Side Mount Faucet, Remote Control Base, Long Handle  
w/ Flexible Stainless Steel Water Connectors  
w/ Ceramic Cartridge, Swivel Gooseneck & Vandal  
Resistant Aerator

Drawn <b>ARH</b>	Checked <b>DHL</b>	Approved <b>JHB</b>
Scale: <b>1:4</b>		Date: <b>03/20/09</b>