



T&S BRASS AND BRONZE WORKS, INC.
 2 Saddleback Cove / P.O. Box 1088
 Travelers Rest, SC 29690

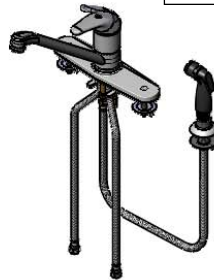
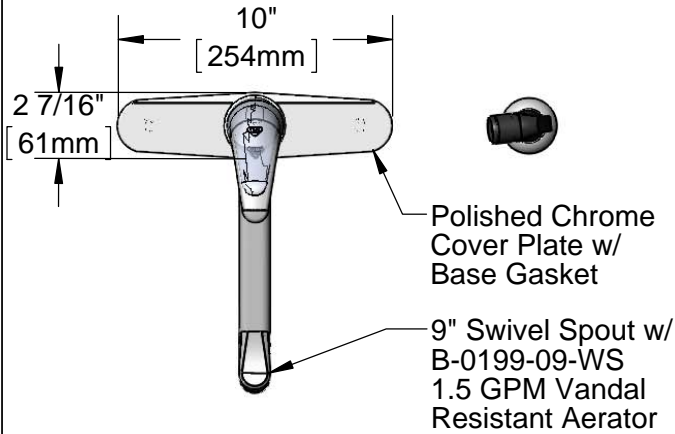
Model No.
B-2730-WS-VR

Item No.

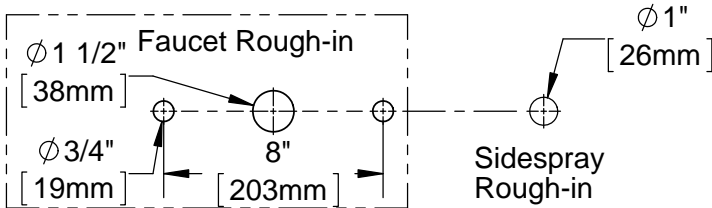
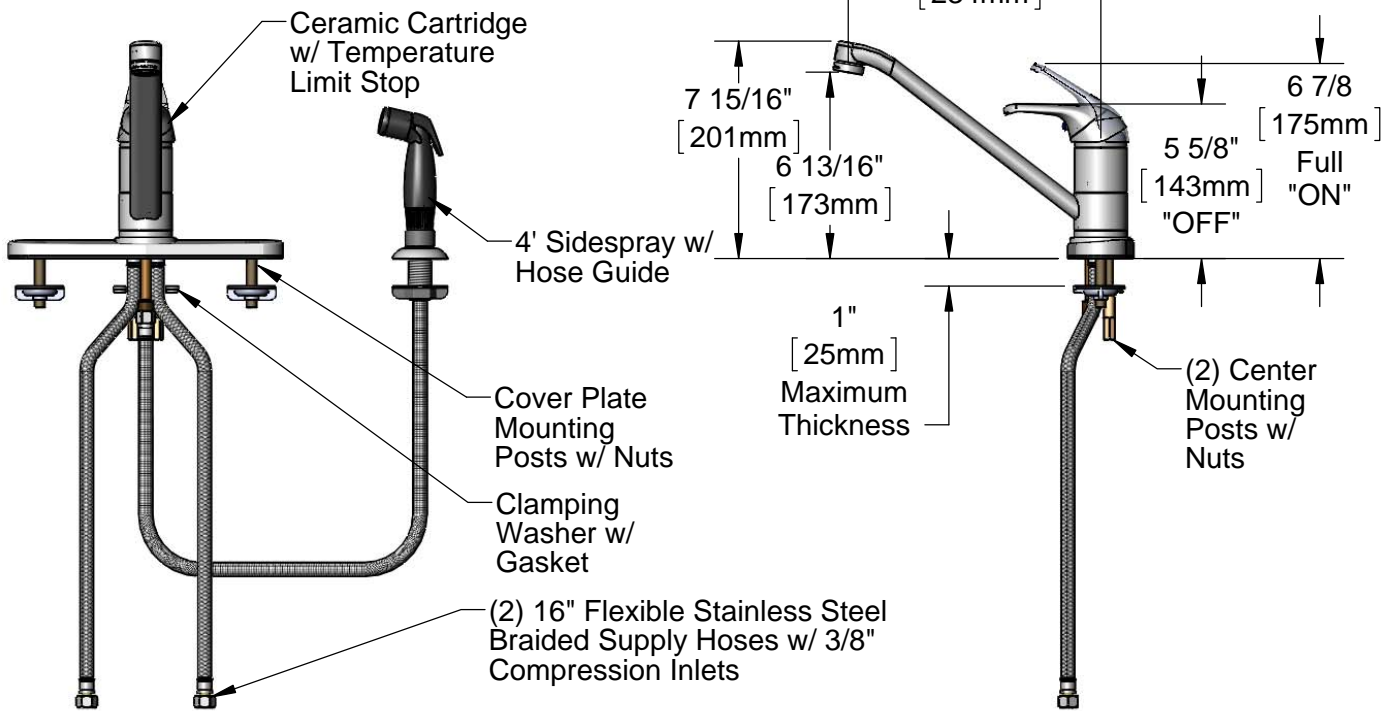
Travelers Rest, SC: 800-476-4103 • Simi Valley, CA: 800-423-0150 • Fax: 864-834-3518 • www.tsbrass.com

This Space for Architect/Engineer Approval

Job Name _____ Date _____
 Model Specified _____ Quantity _____
 Customer/Wholesaler _____
 Contractor _____
 Architect/Engineer _____



ADA Compliant



Product Specifications:
 Single Lever Deck Mount Faucet, Ceramic Cartridge w/ Temperature Limit Stop, 9" Swivel Spout, 1.5 GPM VR Aerator, 10" Deckplate, 4' Reinforced Flexible Sidespray w/ Hose Guide & (2) 16" Flexible Stainless Steel Braided Supply Hoses

Product Compliance:
 ASME A112.18.1 / CSA B125.1
 NSF 61 - Section 9
 NSF 372 (Low Lead Content)
 ANSI A117.1 (ADA)



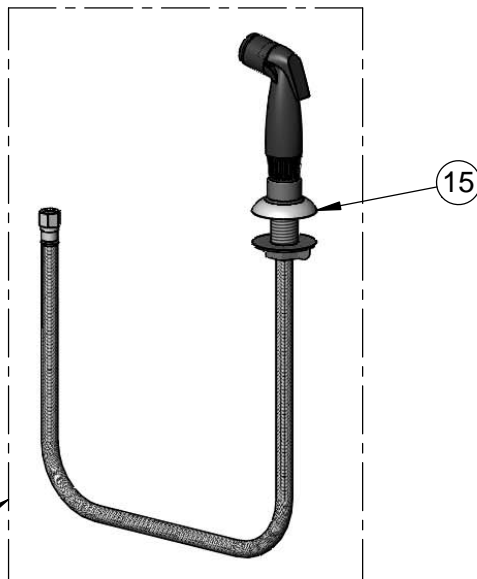
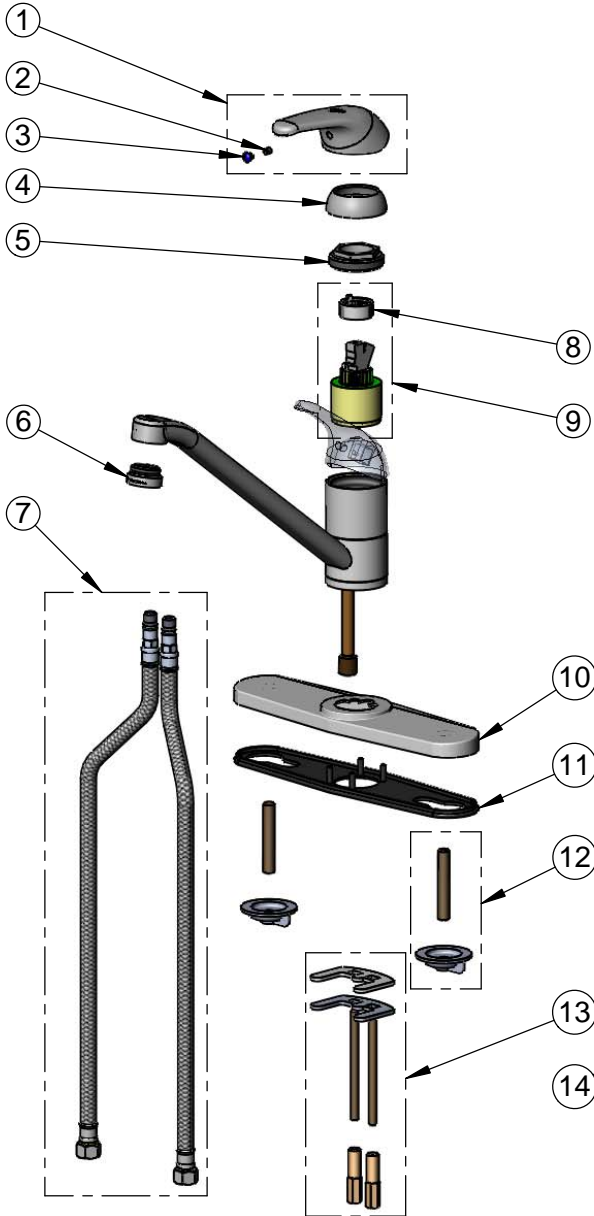
T&S BRASS AND BRONZE WORKS, INC.
 2 Saddleback Cove / P.O. Box 1088
 Travelers Rest, SC 29690

Model No.
B-2730-WS-VR

Item No.

Travelers Rest, SC: 800-476-4103 • Simi Valley, CA: 800-423-0150 • Fax: 864-834-3518 • www.tsbrass.com

ITEM NO.	SALES NO.	DESCRIPTION
1	013113-45	Single Lever Short Handle
2	016675-45	Set Screw
3	014173-45	Index, Temperature
4	016661-45	Trim Ring
5	016663-45	Locking Nut
6	B-0199-09-WS	VR 1.5 GPM Aerator, 15/16-27 UN Male w/ Key
7	016879-45	16" Supply Hose w/ 3/8" Compression Inlets (2)
8	015400-45	Temperature Limit Stop
9	013080-45	Ceramic Cartridge w/ Temperature Limit Stop
10	014161-45	Deck Plate, B-2730 & B-2731
11	014160-45	Deck Plate Gasket, B-2730 & B-2731
12	014162-45	Mounting Post & Nut Kit (2)
13	014163-45	Center Mounting Kit
14	013842-45	4' Sidespray w/ Hose Guide, 1/4" NPSM Female
15	001496-45	Hose Guide



015425-45
 Vandal Resistant Key

Product Specifications:

Single Lever Deck Mount Faucet, Ceramic Cartridge w/ Temperature Limit Stop, 9" Swivel Spout, 1.5 GPM VR Aerator, 10" Deckplate, 4' Reinforced Flexible Sidespray w/ Hose Guide & (2) 16" Flexible Stainless Steel Braided Supply Hoses

Product Compliance:

ASME A112.18.1 / CSA B125.1
 NSF 61 - Section 9
 NSF 372 (Low Lead Content)
 ANSI A117.1 (ADA)