



# T&S BRASS AND BRONZE WORKS, INC.

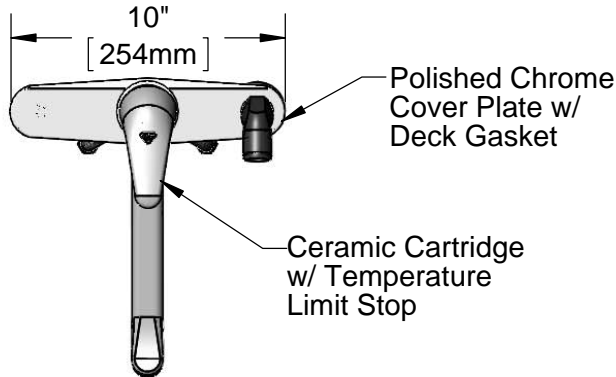
2 Saddleback Cove / P.O. Box 1088  
Travelers Rest, SC 29690

Model No.

**B-2730-3H**

Item No.

Travelers Rest, SC: 800-476-4103 • Simi Valley, CA: 800-423-0150 • Fax: 864-834-3518 • www.tsbrass.com



This Space for Architect/Engineer Approval

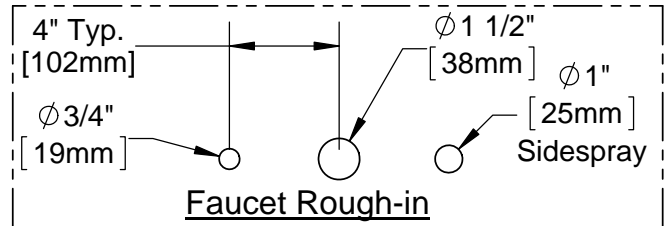
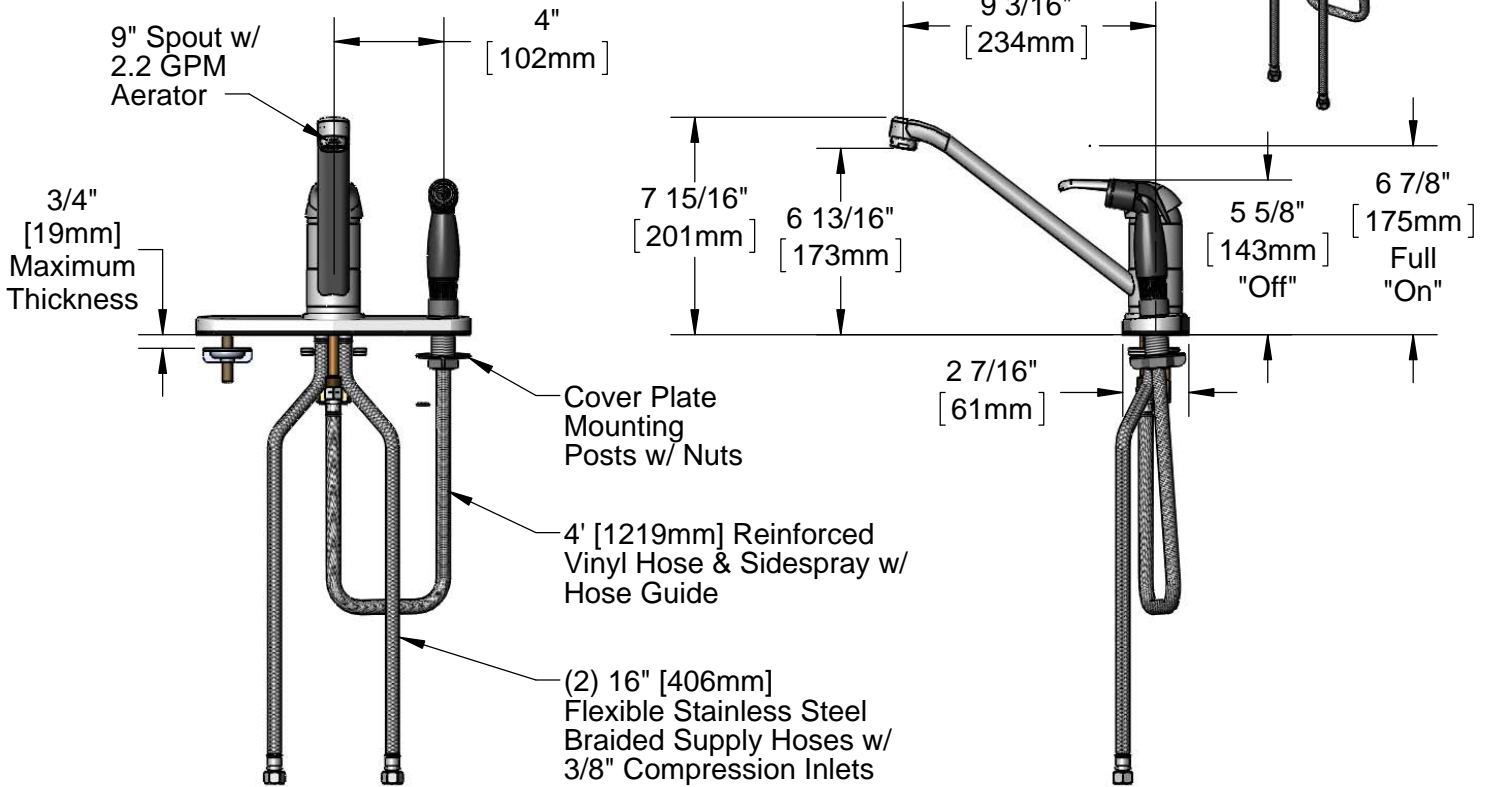
Job Name \_\_\_\_\_ Date \_\_\_\_\_

Model Specified \_\_\_\_\_ Quantity \_\_\_\_\_

Customer/Wholesaler \_\_\_\_\_

Contractor \_\_\_\_\_

Architect/Engineer \_\_\_\_\_



**Product Specifications:**  
Single Lever Deck Mount Faucet w/ 9" Swivel Spout, Flexible Supplies, 10" Cover Plate w/ Sidespray Opening, 48" Sidespray, & Ceramic Cartridge w/ Temperature Limit Stop

**Product Compliance:**  
ASME A112.18.1 / CSA B125.1  
NSF 61 - Section 9  
NSF 372 (Low Lead Content)  
ANSI A117.1 (ADA)



# T&S BRASS AND BRONZE WORKS, INC.

2 Saddleback Cove / P.O. Box 1088  
Travelers Rest, SC 29690

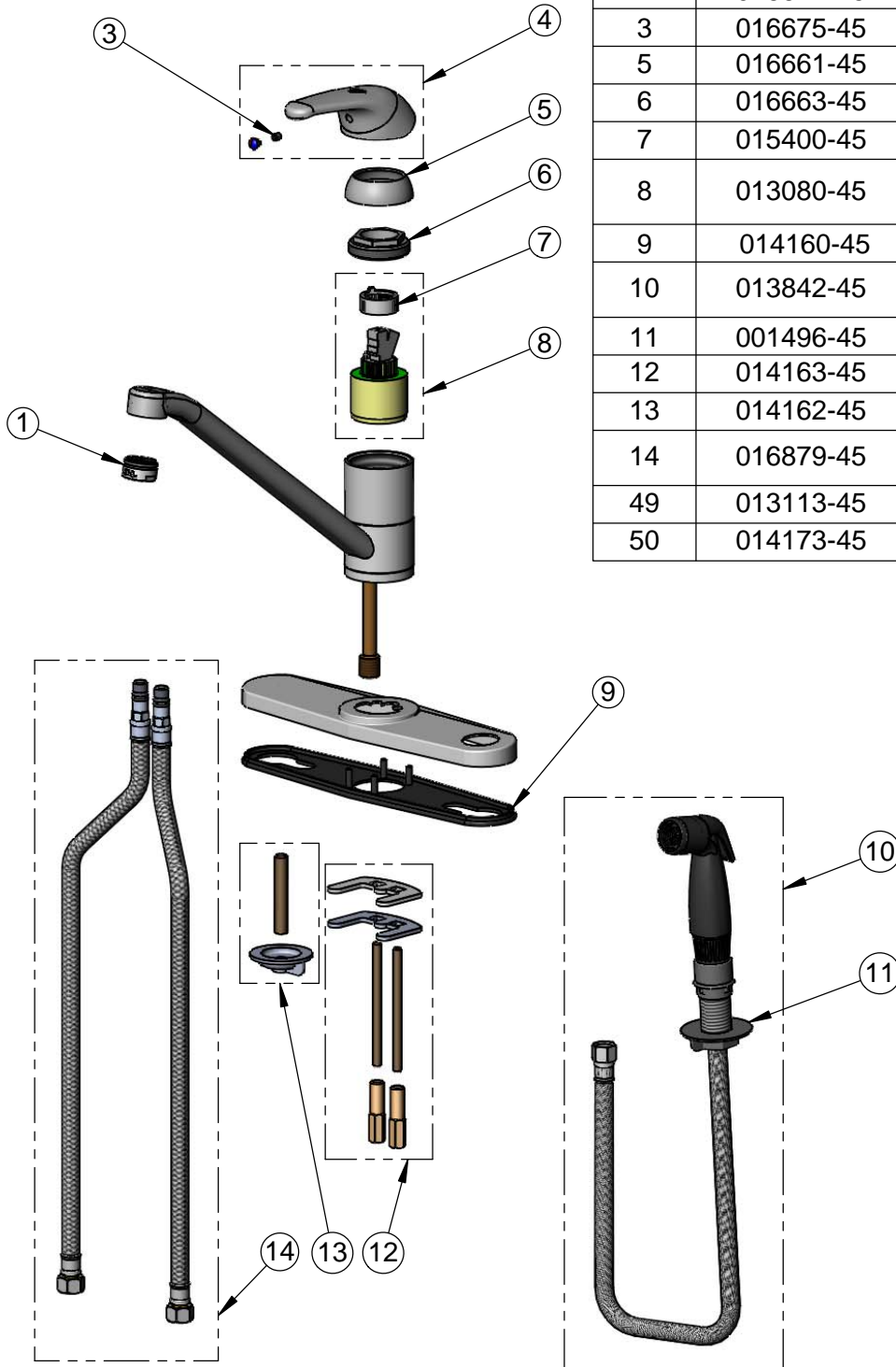
Model No.

**B-2730-3H**

Item No.

Travelers Rest, SC: 800-476-4103 • Simi Valley, CA: 800-423-0150 • Fax: 864-834-3518 • www.tsbrass.com

ITEM NO.	SALES NO.	DESCRIPTION
1	016671-45	Aerator, 2.2 GPM - 15/16-27 Male
3	016675-45	Set Screw
5	016661-45	Trim Ring </td
6	016663-45	Locking Nut
7	015400-45	Temperature Limit Stop
8	013080-45	Ceramic Cartridge w/ Temperature Limit Stop
9	014160-45	Deck Plate Gasket, B-2770 & B-2731
10	013842-45	48" Sidespray w/ Hose Guide, 1/4-18 NPSM Female Connection
11	001496-45	Hose Guide
12	014163-45	Center Mounting Kit
13	014162-45	Mounting Post & Nut Kit
14	016879-45	16" Flexible Stainless Steel Supply Hoses w/ 3/8" Compression Nuts
49	013113-45	Single Lever Short Handle
50	014173-45	Index, Temperature



**Product Specifications:**

Single Lever Deck Mount Faucet w/ 9" Swivel Spout, Flexible Supplies, 10" Cover Plate w/ Sidespray Opening, 48" Sidespray, & Ceramic Cartridge w/ Temperature Limit Stop

**Product Compliance:**

ASME A112.18.1 / CSA B125.1  
NSF 61 - Section 9  
NSF 372 (Low Lead Content)  
ANSI A117.1 (ADA)