



T&S BRASS AND BRONZE WORKS, INC.

2 Saddleback Cove / P.O. Box 1088
Travelers Rest, SC 29690

Model No.

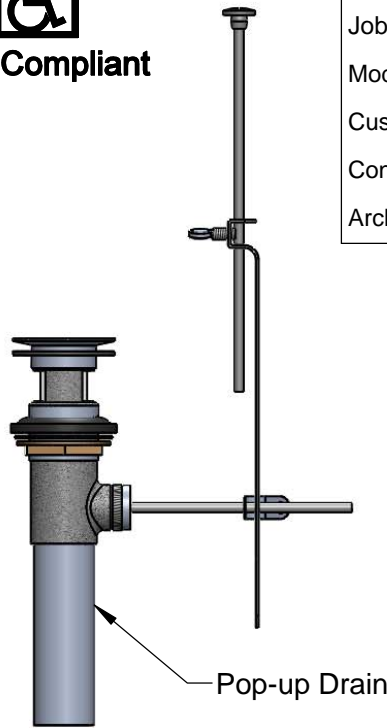
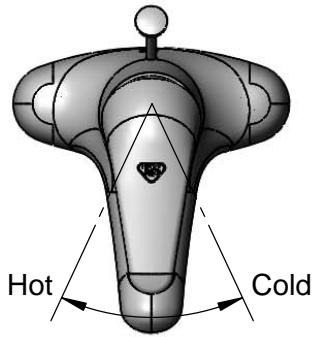
B-2710

Item No.

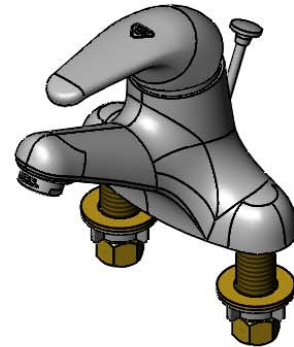
Travelers Rest, SC: 800-476-4103 • Simi Valley, CA: 800-423-0150 • Fax: 864-834-3518 • www.tsbrass.com



ADA Compliant



Pop-up Drain



This Space for Architect/Engineer Approval

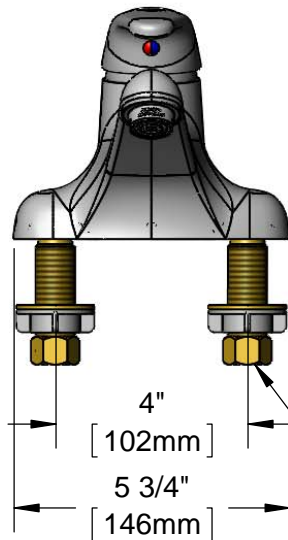
Job Name _____ Date _____

Model Specified _____ Quantity _____

Customer/Wholesaler _____

Contractor _____

Architect/Engineer _____



Mounting Surface

1 3/8" [35mm]
Maximum Thickness

4" [102mm]

5 3/4" [146mm]

1/2" NPSM Male Inlets w/ Coupling Nuts

2.2 GPM Aerator

4 13/16" [122mm]
"OFF"

2 5/16" [58mm]

5 15/16" [150mm]
"Full ON"

4 3/8" [111mm]

2 5/16" [59mm]

Rough-In Requirement:
(3) \varnothing 1" [25mm] Mounting Holes

Product Specifications:
4" Deck Mount Single Lever Faucet, Ceramic Cartridge, Temperature Limit Stop, 2.2 GPM Aerator, Pop-Up Drain & 1/2" NPSM Male Inlets

Product Compliance:
ASME A112.18.1 / CSA B125.1
NSF 61 - Section 9
NSF 372 (Low Lead Content)
ANSI A117.1 (ADA)



T&S BRASS AND BRONZE WORKS, INC.

2 Saddleback Cove / P.O. Box 1088
Travelers Rest, SC 29690

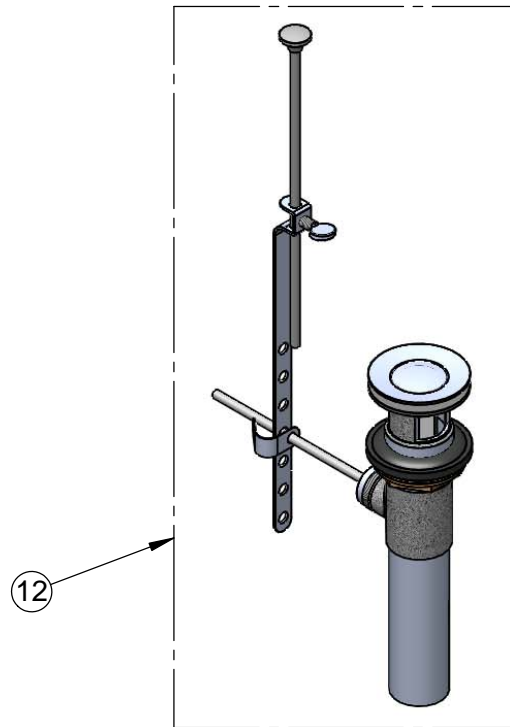
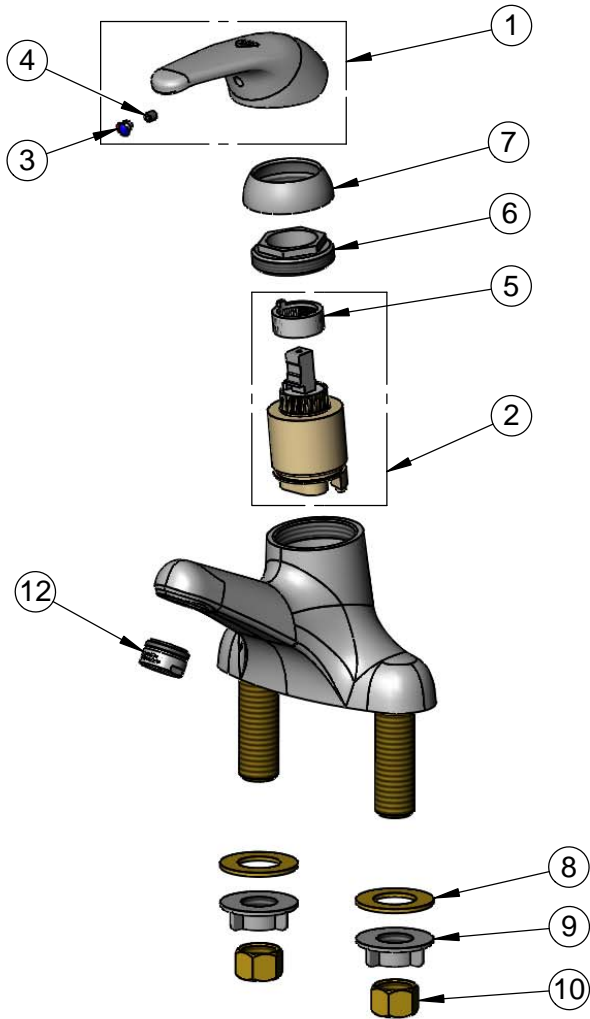
Model No.

B-2710

Item No.

Travelers Rest, SC: 800-476-4103 • Simi Valley, CA: 800-423-0150 • Fax: 864-834-3518 • www.tsbrass.com

ITEM NO.	SALES NO.	DESCRIPTION
1	013113-45	Handle, Single Lever
2	013111-45	Ceramic Cartridge
3	014173-45	Index, Temperature
4	016675-45	Set Screw
5	015400-45	Temperature Limit Stop
6	016663-45	Locking Nut
7	016661-45	Trim Ring
8	000999-45	Brass Lock Washer8
9	016673-45	Shank Nut
10	000958-20	Coupling Nut
11	B-0898	Pop-Up Drain
12	B-0199-04	2.2 GPM Aerator, 15/16-27 Male



Product Specifications:

4" Deck Mount Single Lever Faucet, Ceramic Cartridge, Temperature Limit Stop, 2.2 GPM Aerator, Pop-Up Drain & 1/2" NPSM Male Inlets

Product Compliance:

ASME A112.18.1 / CSA B125.1
NSF 61 - Section 9
NSF 372 (Low Lead Content)
ANSI A117.1 (ADA)