



T&S BRASS AND BRONZE WORKS, INC.

2 Saddleback Cove / P.O. Box 1088
Travelers Rest, SC 29690

Model No.

B-2710-WS

Item No.

Travelers Rest, SC: 800-476-4103 • Simi Valley, CA: 800-423-0150 • Fax: 864-834-3518 • www.tsbrass.com



ADA Compliant



This Space for Architect/Engineer Approval

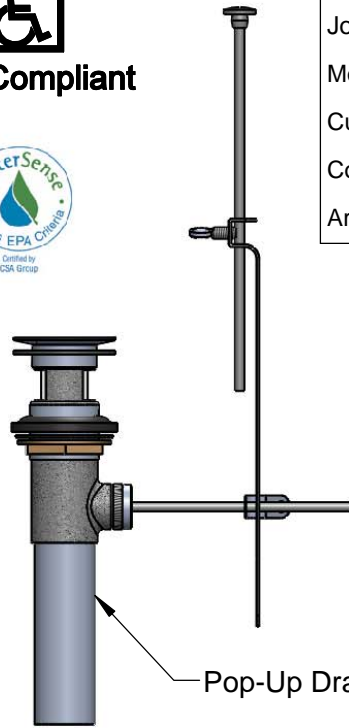
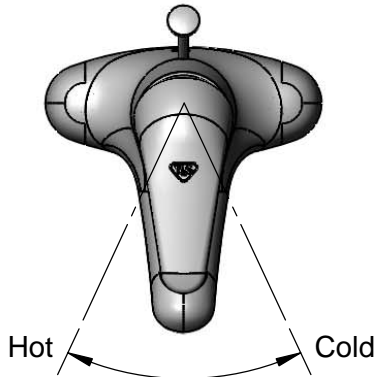
Job Name _____ Date _____

Model Specified _____ Quantity _____

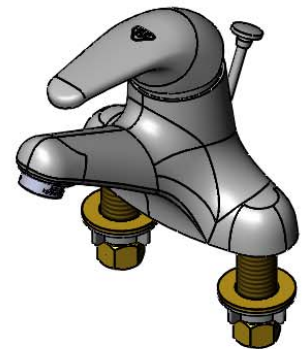
Customer/Wholesaler _____

Contractor _____

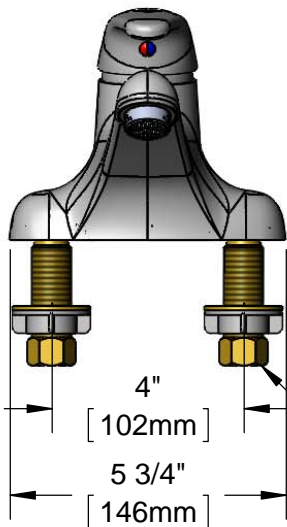
Architect/Engineer _____



Pop-Up Drain



B-0199-04-WS
1.5 GPM Aerator



Mounting Surface

1 3/8"
[35mm]
Maximum Thickness

1/2" NPSM Male Inlets
w/ Coupling Nuts

4"
[102mm]

5 3/4"
[146mm]

4 13/16"
[122mm]
"OFF"

2 5/16"
[58mm]

5 15/16"
[150mm]
"Full ON"

2 5/16"
[59mm]

4 3/8"
[111mm]

Rough-In Requirement:
(3) \varnothing 1" [25mm] Mounting Holes

Product Specifications:

4" Deck Mount Single Lever Faucet, Ceramic Cartridge, Temperature Limit Stop, 1.5 GPM Aerator, Pop-Up Drain & 1/2" NPSM Male Inlets

Product Compliance:

ASME A112.18.1 / CSA B125.1
NSF 61 - Section 9
NSF 372 (Low Lead Content)
ANSI A117.1 (ADA)
EPA WaterSense

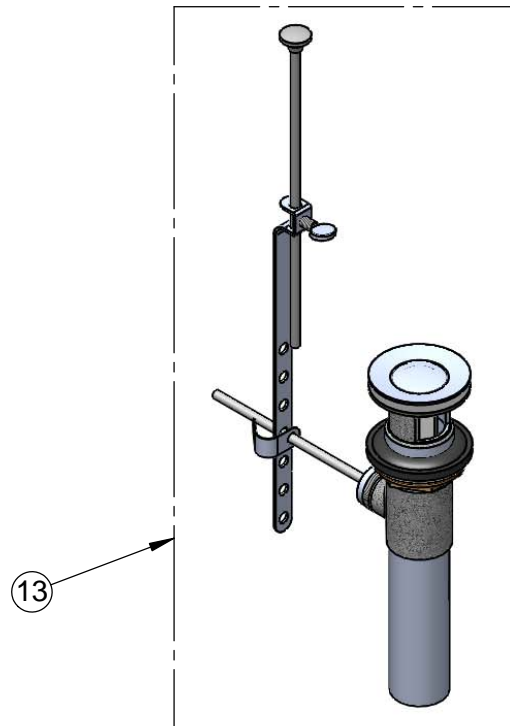
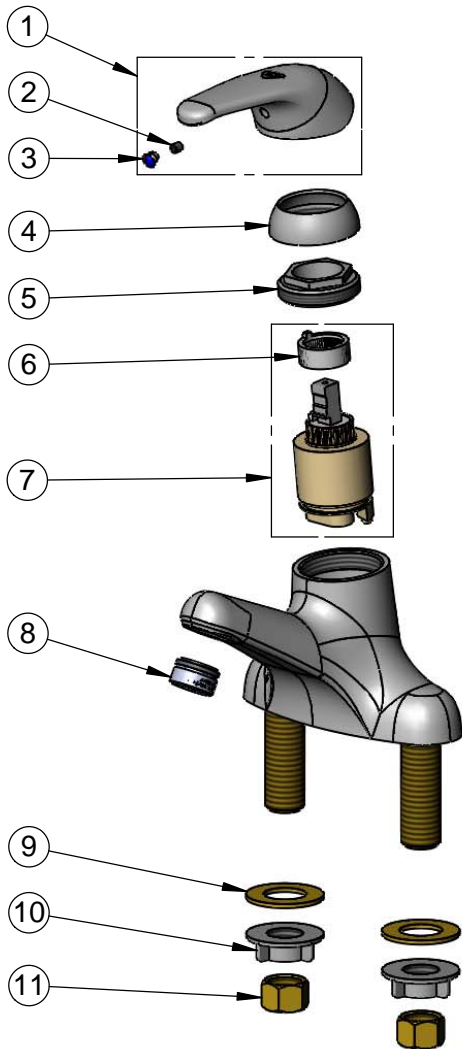


T&S BRASS AND BRONZE WORKS, INC.
 2 Saddleback Cove / P.O. Box 1088
 Travelers Rest, SC 29690

Model No.
B-2710-WS
 Item No.

Travelers Rest, SC: 800-476-4103 • Simi Valley, CA: 800-423-0150 • Fax: 864-834-3518 • www.tsbrass.com

ITEM NO.	SALES NO.	DESCRIPTION
1	013113-45	Handle, Single Lever
2	016675-45	Set Screw
3	014173-45	Index, Temperature
4	016661-45	Trim Ring
5	016663-45	Locking Nut
6	015400-45	Temperature Limit Stop
7	013111-45	Ceramic Cartridge
8	B-0199-04-WS	1.5 GPM Aerator, 15/16-27 Male
9	000999-45	Brass Lock Washer
10	016673-45	Shank Nut
11	000958-20	Coupling Nut
12	B-0898	Pop-Up Drain



Product Specifications:

4" Deck Mount Single Lever Faucet, Ceramic Cartridge, Temperature Limit Stop, 1.5 GPM Aerator, Pop-Up Drain & 1/2" NPSM Male Inlets

Product Compliance:

ASME A112.18.1 / CSA B125.1
 NSF 61 - Section 9
 NSF 372 (Low Lead Content)
 ANSI A117.1 (ADA)
 EPA WaterSense