



T&S BRASS AND BRONZE WORKS, INC.

2 Saddleback Cove / P.O. Box 1088
Travelers Rest, SC 29690

Model No.

B-2491

Item No.

Travelers Rest, SC: 800-476-4103 • Simi Valley, CA: 800-423-0150 • Fax: 864-834-3518 • www.tsbrass.com



ADA Compliant

This Space for Architect/Engineer Approval

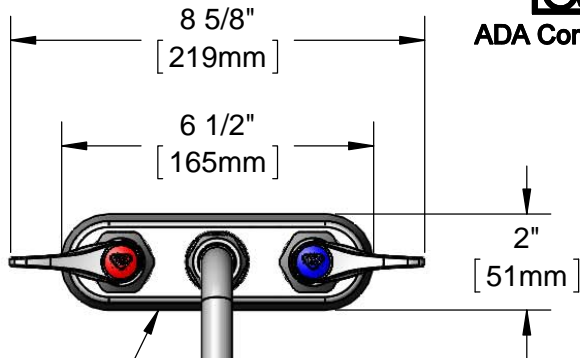
Job Name _____ Date _____

Model Specified _____ Quantity _____

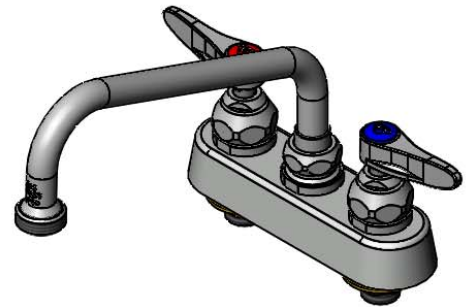
Customer/Wholesaler _____

Contractor _____

Architect/Engineer _____



Polished Chrome Plated Escutcheon



Quarter-Turn Eterna Cartridges w/ Spring Checks & Lever Handles w/ Color Coded Indexes

Swivel Joint Converts to Rigid w/ 014200-45 Lock Washer (Included)

8" Swing Nozzle w/ B-GFE Garden Hose Male Outlet

3 5/16" [84mm]

1" [26mm]

3 7/8" [99mm]

8" [203mm]

6 3/4" [171mm]

1/4" [6mm] Maximum Thickness

4" [102mm]

1" [25mm]

1/2" NPT Male Inlets

Mounting Surface

(2) 150A Optional Tailpieces & Nuts For 1/4" NPT Connection (Included)

Rough-In Requirement:
(2) \varnothing 1" [25mm] Mounting Holes

Product Specifications:

4" Deck Mount Workboard Faucet, Quarter-Turn Eterna Cartridges w/ Spring Checks, Lever Handles, 8" Swing Nozzle w/ Garden Hose Male Outlet & 1/2" NPT Male Inlets

Product Compliance:

ASME A112.18.1 / CSA B125.1
NSF 61 - Section 9
NSF 372 (Low Lead Content)
ANSI A117.1 (ADA)



T&S BRASS AND BRONZE WORKS, INC.

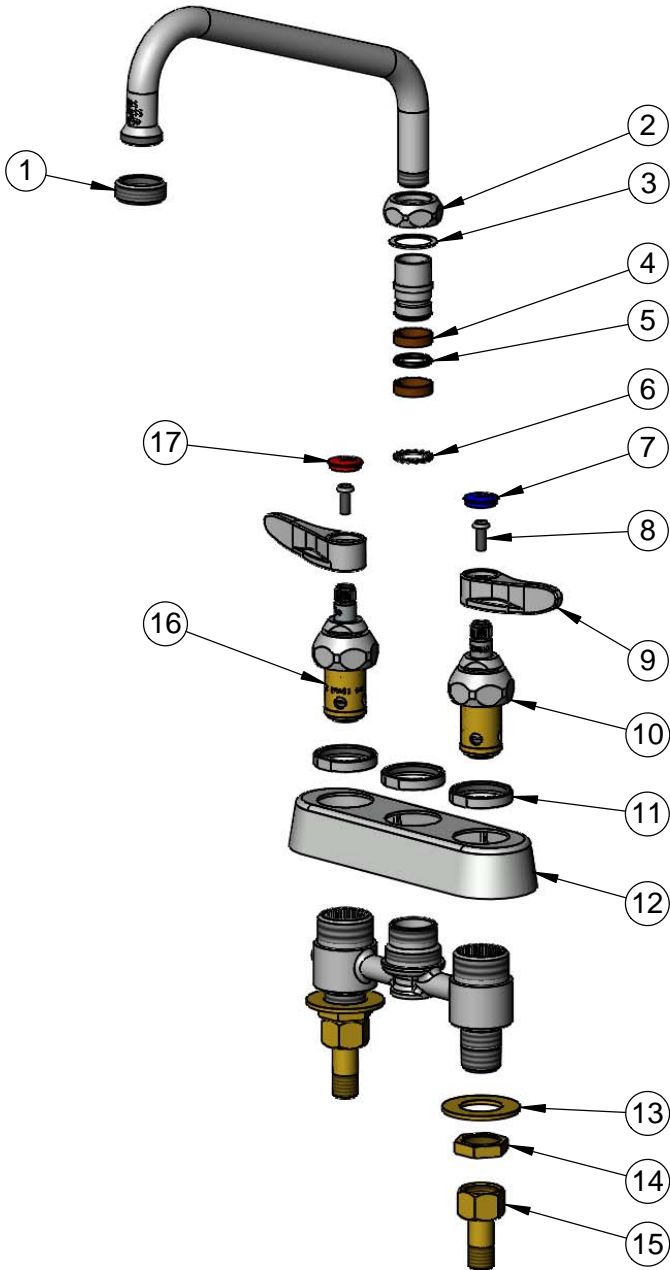
2 Saddleback Cove / P.O. Box 1088
Travelers Rest, SC 29690

Model No.

B-2491

Item No.

Travelers Rest, SC: 800-476-4103 • Simi Valley, CA: 800-423-0150 • Fax: 864-834-3518 • www.tsbrass.com



ITEM NO.	SALES NO.	DESCRIPTION
1	B-GFE	Adapter, Garden Hose Male x Aerator Thread
2	019360-40	Swivel Nut (New Style)
3	009538-45	Swivel Washer
4	011429-45	Swivel Sleeves (2)
5	001074-45	O-Ring
6	014200-45	Star Washer, Anti-Rotation
7	019363-45	Blue Button Index, Press-in
8	000925-45	Lab Handle Screw
9	019361-45	Lever Handle (New Style)
10	019382-40	Quarter-Turn New Style Eterna Cartridge w/ Spring Check, LTC
11	019376-40	Escutcheon Lock Nut
12	019374-40	B-1110 Eterna Workboard Escutcheon
13	000999-45	Brass Lock Washer
14	002954-45	Shank Lock Nut
15	150A	1/4" NPT Tailpiece & Nut
16	019383-40	Quarter-Turn New Style Eterna Cartridge w/ Spring Check, RTC
17	019364-45	Red Button Index, Press-in

Product Specifications:

4" Deck Mount Workboard Faucet, Quarter-Turn Eterna Cartridges w/ Spring Checks, Lever Handles, 8" Swing Nozzle w/ Garden Hose Male Outlet & 1/2" NPT Male Inlets

Product Compliance:

ASME A112.18.1 / CSA B125.1
NSF 61 - Section 9
NSF 372 (Low Lead Content)
ANSI A117.1 (ADA)