



# T&S BRASS AND BRONZE WORKS, INC.

2 Saddleback Cove / P.O. Box 1088  
Travelers Rest, SC 29690

Model No.

**B-2488**

Item No.

Travelers Rest, SC: 800-476-4103 • Simi Valley, CA: 800-423-0150 • Fax: 864-834-3518 • www.tsbrass.com



**ADA Compliant**

This Space for Architect/Engineer Approval

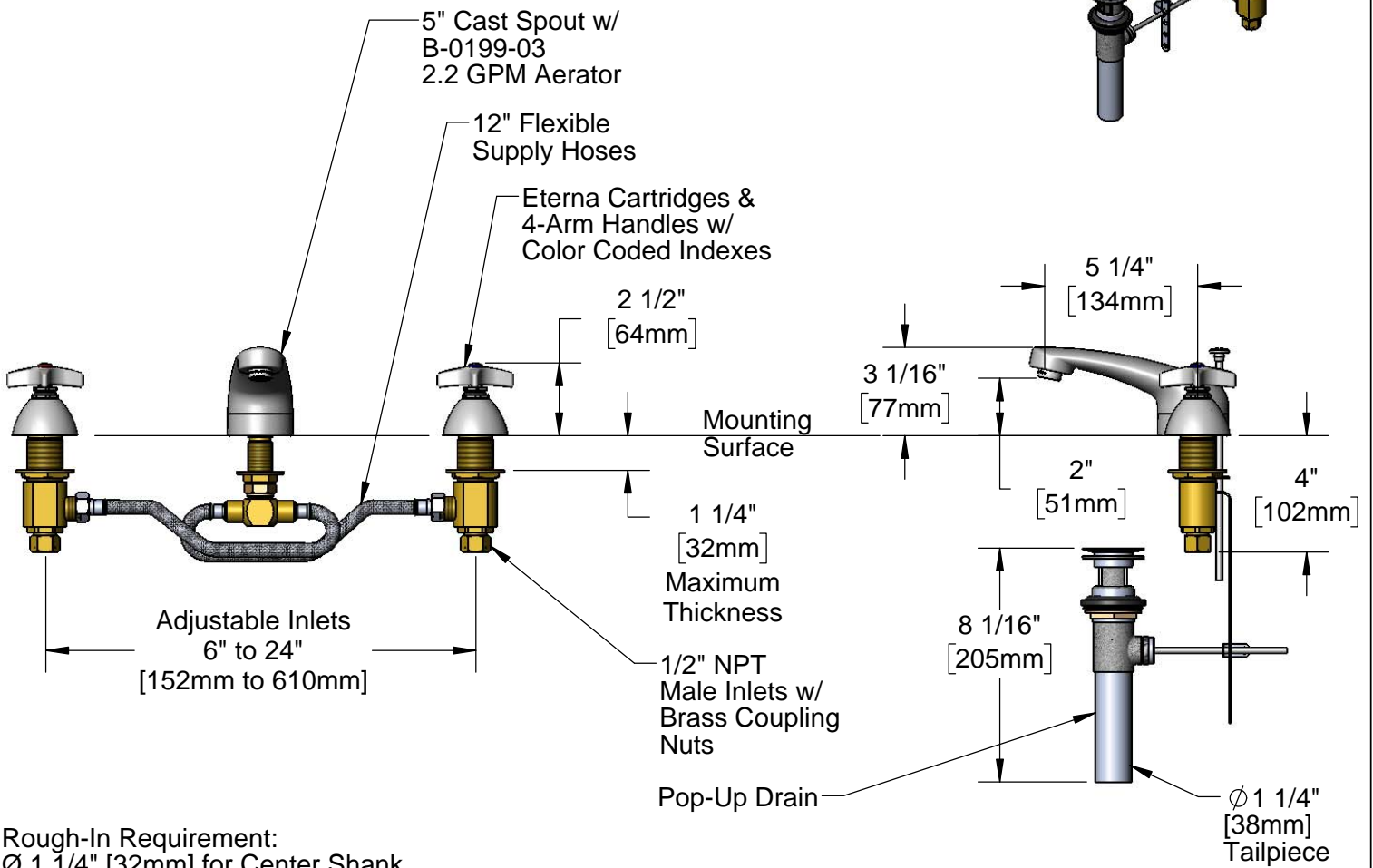
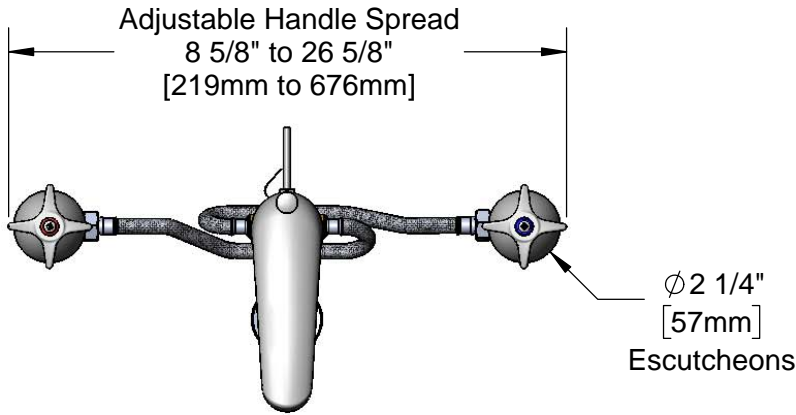
Job Name \_\_\_\_\_ Date \_\_\_\_\_

Model Specified \_\_\_\_\_ Quantity \_\_\_\_\_

Customer/Wholesaler \_\_\_\_\_

Contractor \_\_\_\_\_

Architect/Engineer \_\_\_\_\_



**Rough-In Requirement:**  
Ø 1 1/4" [32mm] for Center Shank  
Ø 1 1/2" [38mm] for Hot/Cold Side

**Product Specifications:**  
Adjustable Deck Mount Mixing Faucet, Eterna Cartridges, 4-Arm Handles, 5" Cast Spout, 2.2 GPM Aerator, Pop-Up Drain, 12" Flexible Supply Hoses & 1/2" NPT Inlets w/ Coupling Nuts

**Product Compliance:**  
ASME A112.18.1 / CSA B125.1  
NSF 61 - Section 9  
NSF 372 (Low Lead Content)  
ANSI A117.1 (ADA)



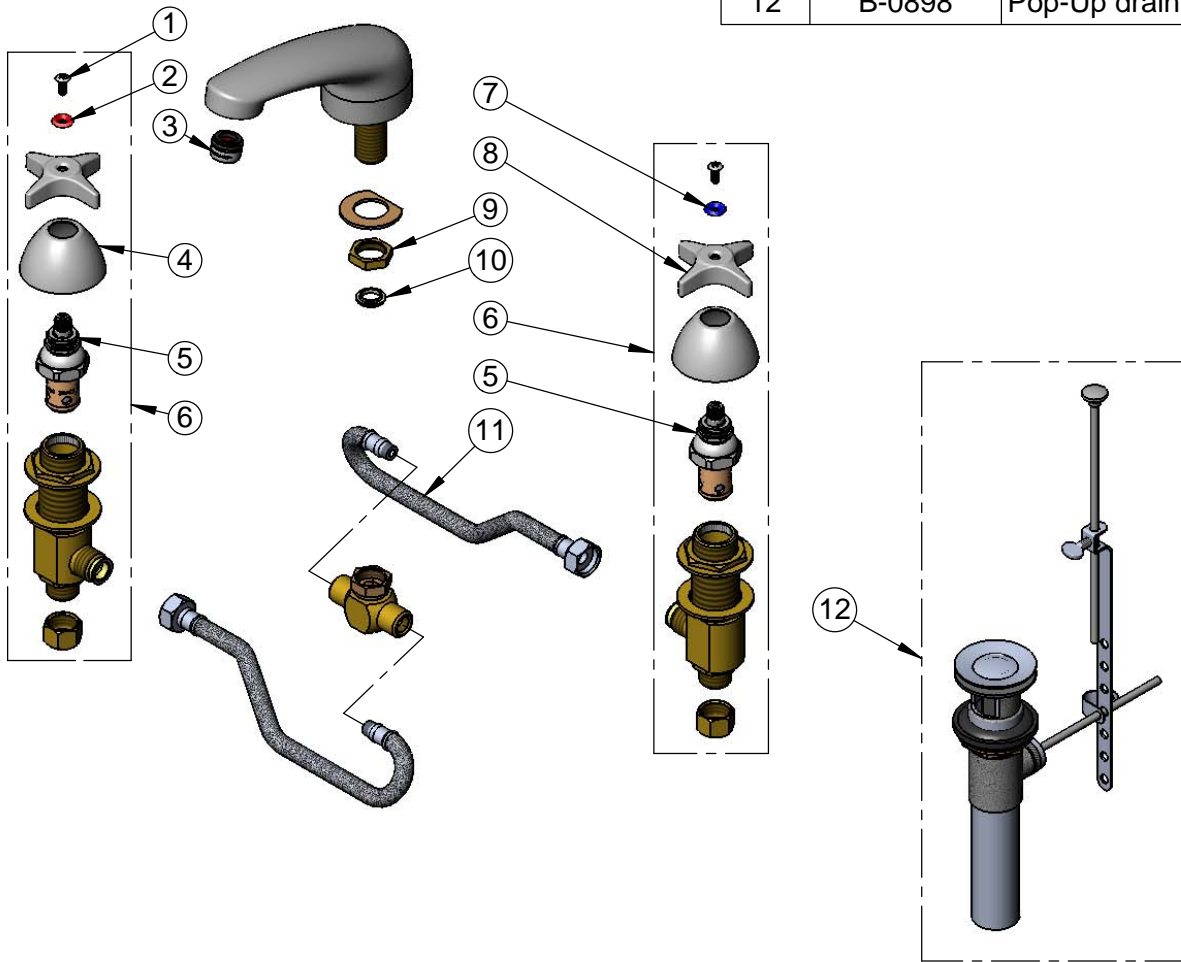
**T&S BRASS AND BRONZE WORKS, INC.**  
 2 Saddleback Cove / P.O. Box 1088  
 Travelers Rest, SC 29690

Model No.  
**B-2488**

Item No.

Travelers Rest, SC: 800-476-4103 • Simi Valley, CA: 800-423-0150 • Fax: 864-834-3518 • www.tsbrass.com

| ITEM NO. | SALES NO. | DESCRIPTION   |
|----------|-----------|---|
| 1        | 000922-45 | Lever Handle Screw                                  |
| 2        | 001661-45 | Red Index-HW  |
| 3        | B-0199-03 | 2.2 GPM Aerator                                     |
| 4        | 001257-40 | Bell Escutcheon                                     |
| 5        | 006478-40 | Eterna Cartridge, RTC (Teflon) w/ Escutcheon Bonnet |
| 6        | 162A      | B-0850 Side Body, RTC                               |
| 7        | 001660-45 | Blue Index-CW                                       |
| 8        | 002521-45 | 4-Arm Handle  |
| 9        | 002954-45 | Shank Lock Nut                                      |
| 10       | 012702-45 | Washer  |
| 11       | 011649-45 | 12" Flexible Supply Hoses (2)                       |
| 12       | B-0898    | Pop-Up drain  |



**Product Specifications:**  
 Adjustable Deck Mount Mixing Faucet, Eterna Cartridges, 4-Arm Handles, 5" Cast Spout, 2.2 GPM Aerator, Pop-Up Drain, 12" Flexible Supply Hoses & 1/2" NPT Inlets w/ Coupling Nuts

**Product Compliance:**  
 ASME A112.18.1 / CSA B125.1  
 NSF 61 - Section 9  
 NSF 372 (Low Lead Content)  
 ANSI A117.1 (ADA)