



T&S BRASS AND BRONZE WORKS, INC.

2 Saddleback Cove / P.O. Box 1088
Travelers Rest, SC 29690

Model No.

B-2485

Item No.

Travelers Rest, SC: 800-476-4103 • Simi Valley, CA: 800-423-0150 • Fax: 864-834-3518 • www.tsbrass.com

This Space for Architect/Engineer Approval

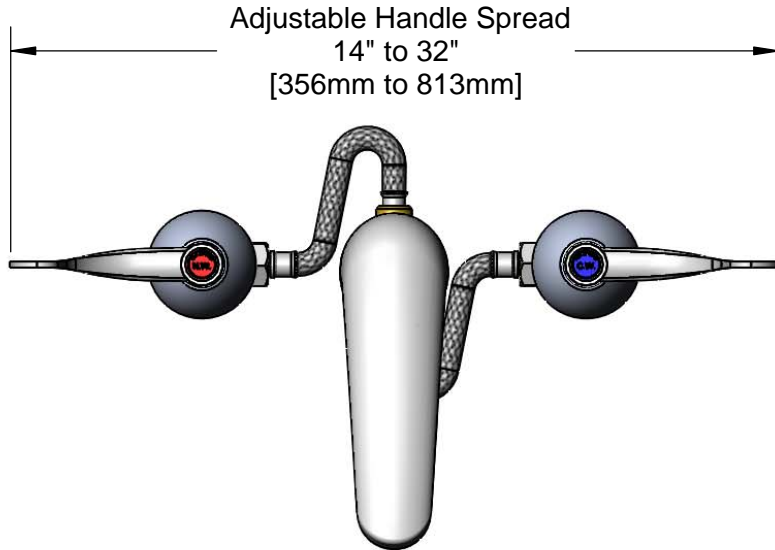
Job Name _____ Date _____

Model Specified _____ Quantity _____

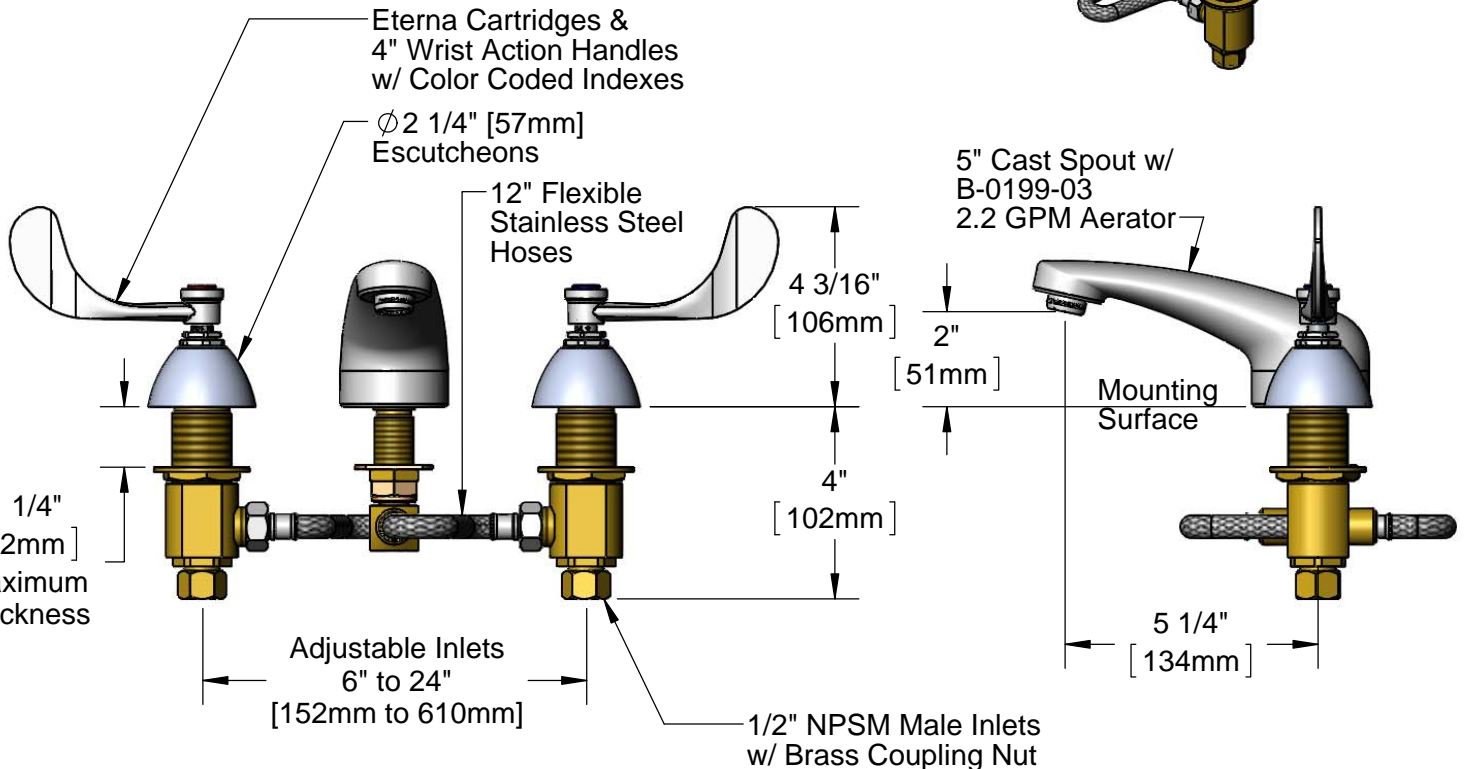
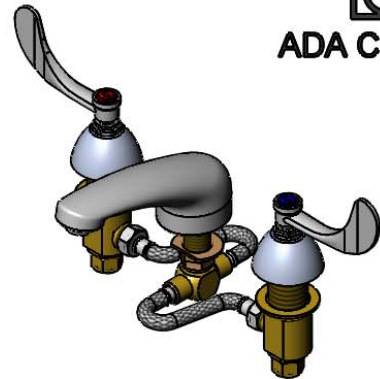
Customer/Wholesaler _____

Contractor _____

Architect/Engineer _____



ADA Compliant



Rough-In Requirements:
Center Shank: ϕ 1" [25mm] Hole
Hot/Cold Bodies: ϕ 1 1/2" [38mm] Holes

Product Specifications:
Adjustable Deck Mount Mixing Faucet, Eterna Cartridges, 4" Wrist Action Handles, 5" Cast Spout w/ 2.2 GPM Aerator, 12" Stainless Steel Supply Hoses & 1/2" NPSM Inlets w/ Brass Coupling Nuts

Product Compliance:
ASME A112.18.1 / CSA B125.1
NSF 61 - Section 9
NSF 372 (Low Lead Content)
ANSI A117.1 (ADA)



T&S BRASS AND BRONZE WORKS, INC.

2 Saddleback Cove / P.O. Box 1088
Travelers Rest, SC 29690

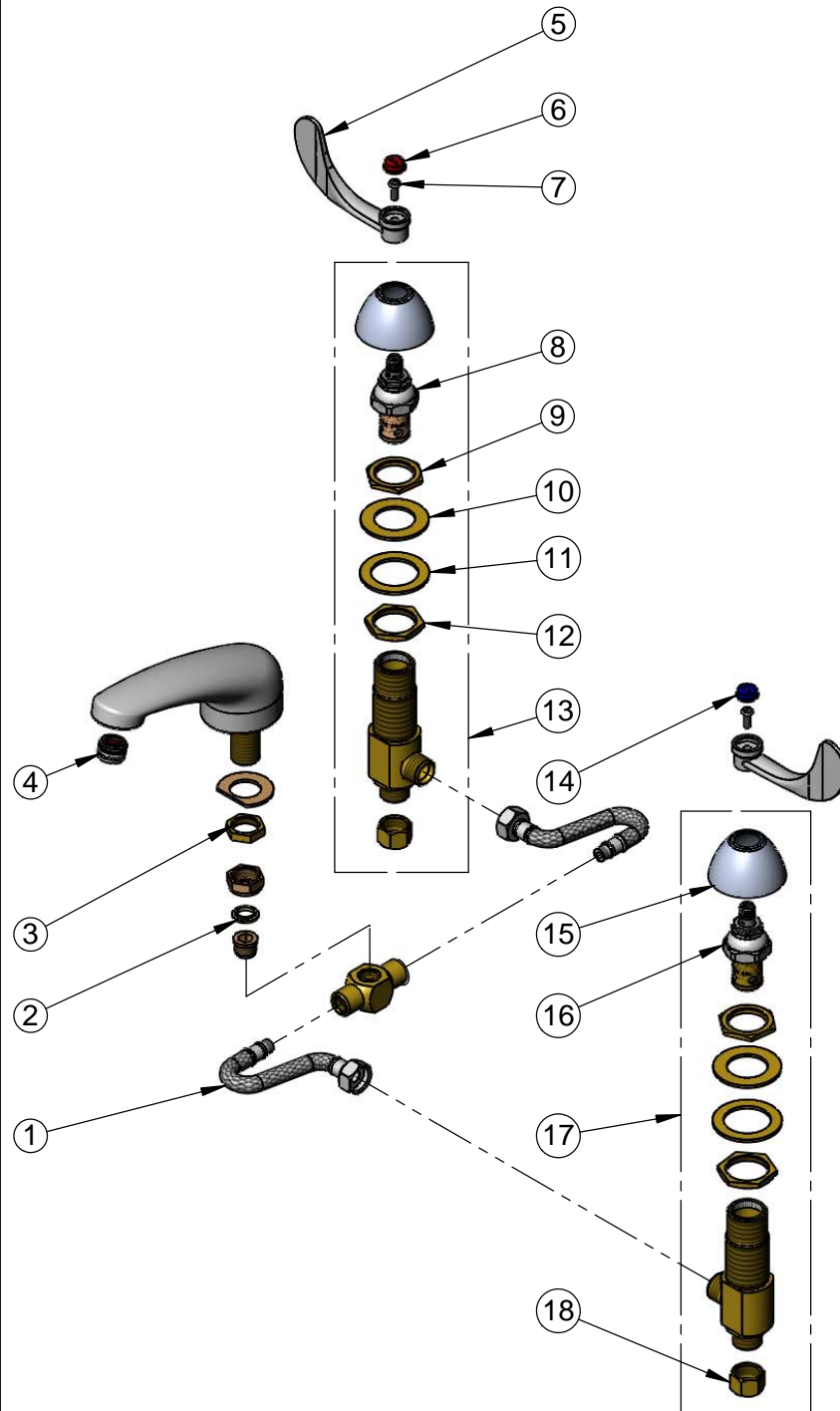
Model No.

B-2485

Item No.

Travelers Rest, SC: 800-476-4103 • Simi Valley, CA: 800-423-0150 • Fax: 864-834-3518 • www.tsbrass.com

ITEM NO.	SALES NO.	DESCRIPTION
1	011649-45	12" Flexible Stainless Steel Hose
2	012702-45	Cross Body Washer
3	002954-45	Shank Lock Nut
4	B-0199-03	2.2 GPM Aerator
5	B-WH4	4" Wrist Action Handle
6	001194-45	Red Index - HW
7	000925-45	Lab Handle Screw
8	006478-40	Eterna Cartridge, RTC (Teflon) w/ Escutcheon Bonnet
9	000959-20	Side Body Top Lock Nut
10	002290-45	Lock Washer
11	001006-45	Washer
12	000960-20	Side Body Bottom Lock Nut
13	162A	Eterna Cartridge Side Body, RTC (Teflon) Less Handle
14	001686-45	Blue Index - CW
15	001257-40	Bell Escutcheon
16	006477-40	Eterna Cartridge, LTC (Teflon) w/ Escutcheon Bonnet
17	161A	Eterna Cartridge Side Body, LTC (Teflon) Less Handle
18	000958-20	Coupling Nut



Product Specifications:
Adjustable Deck Mount Mixing Faucet, Eterna Cartridges, 4" Wrist Action Handles, 5" Cast Spout w/ 2.2 GPM Aerator, 12" Stainless Steel Supply Hoses & 1/2" NPSM Inlets w/ Brass Coupling Nuts

Product Compliance:
ASME A112.18.1 / CSA B125.1
NSF 61 - Section 9
NSF 372 (Low Lead Content)
ANSI A117.1 (ADA)