



# T&S BRASS AND BRONZE WORKS, INC.

2 Saddleback Cove / P.O. Box 1088  
Travelers Rest, SC 29690

Model No.

**B-2484**

Item No.

Travelers Rest, SC: 800-476-4103 • Simi Valley, CA: 800-423-0150 • Fax: 864-834-3518 • www.tsbrass.com

This Space for Architect/Engineer Approval

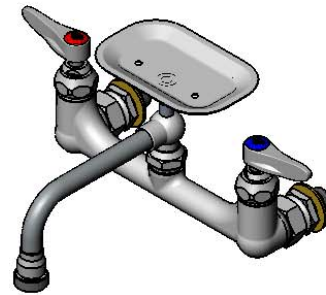
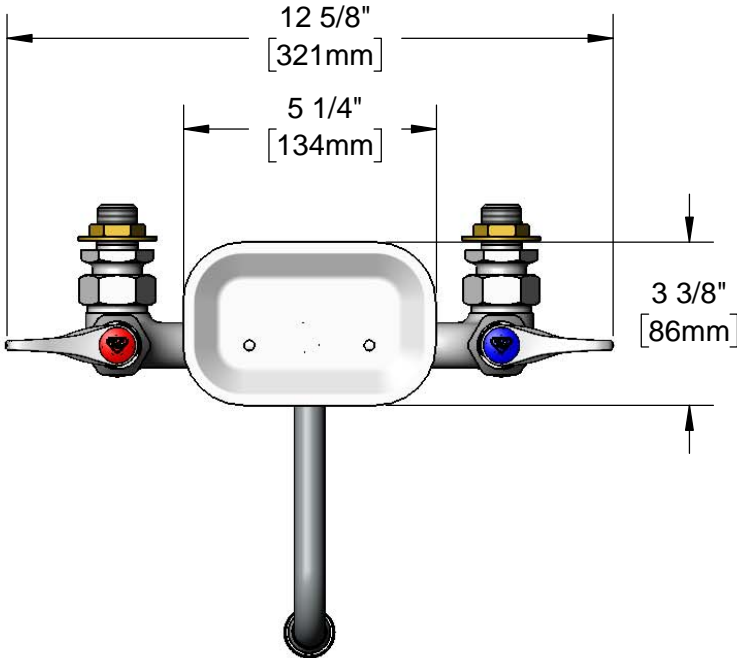
Job Name \_\_\_\_\_ Date \_\_\_\_\_

Model Specified \_\_\_\_\_ Quantity \_\_\_\_\_

Customer/Wholesaler \_\_\_\_\_

Contractor \_\_\_\_\_

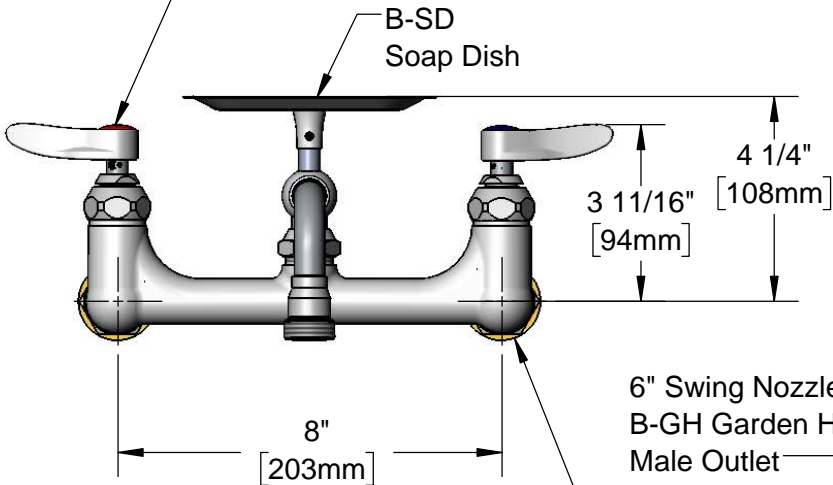
Architect/Engineer \_\_\_\_\_



**ADA Compliant**

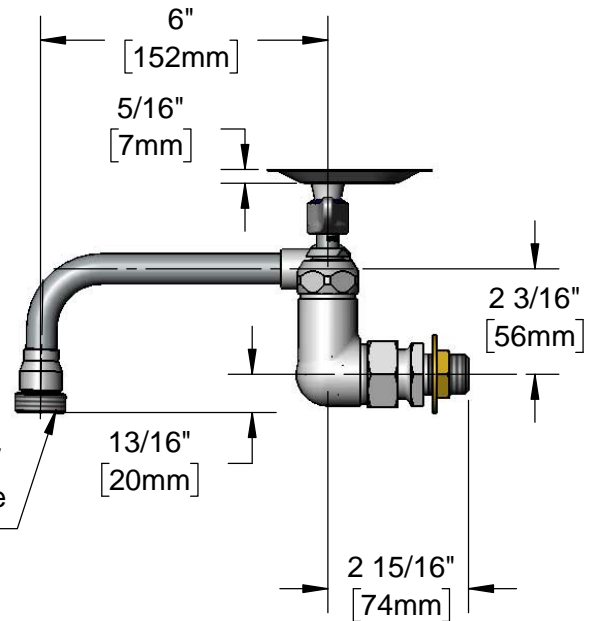
Quarter-Turn Eterna Cartridges  
w/ Spring Checks &  
Lever Handles w/  
Color Coded Indexes

B-SD  
Soap Dish



6" Swing Nozzle w/  
B-GH Garden Hose  
Male Outlet

2" [51mm]  
Flanges w/  
1/2" NPT  
Male Inlets



**Product Specifications:**

8" Wall Mount Mixing Faucet, Quarter-Turn Eterna Cartridges w/ Spring Checks, 6" Swing Nozzle w/ Garden Hose Male Outlet, Soap Dish, Lever Handles and 1/2" NPT Male Inlets

**Product Compliance:**

ASME A112.18.1 / CSA B125.1  
NSF 61 - Section 9  
NSF 372 (Low Lead Content)  
ANSI A117.1 (ADA)

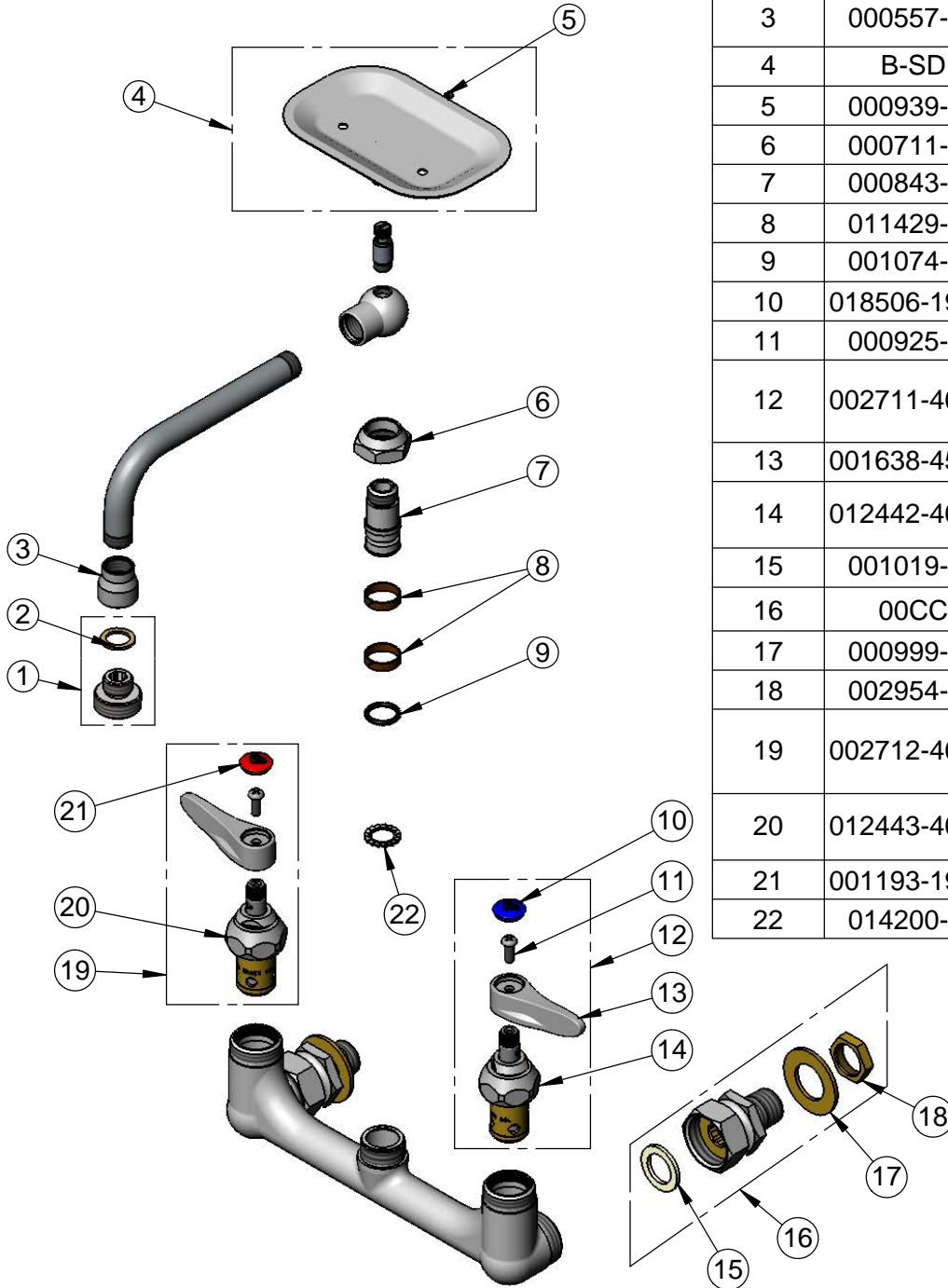


**T&S BRASS AND BRONZE WORKS, INC.**  
 2 Saddleback Cove / P.O. Box 1088  
 Travelers Rest, SC 29690

Model No.  
**B-2484**

Item No.

Travelers Rest, SC: 800-476-4103 • Simi Valley, CA: 800-423-0150 • Fax: 864-834-3518 • www.tsbrass.com



ITEM NO.	SALES NO.	DESCRIPTION
1	B-GH	Garden Hose Male Outlet
2	001043-45	Washer
3	000557-25	Bell Adapter, 5/8-27 UN Female x 3/8" NPSM Female
4	B-SD	Soap Dish w/ Set Screw
5	000939-45	Escutcheon, Set Screw
6	000711-40	Swivel Nut
7	000843-25	Swivel Body
8	011429-45	Swivel Sleeves (2)
9	001074-45	O-Ring
10	018506-19NS	Blue Button Index, Press-in
11	000925-45	Lab Handle Screw
12	002711-40NS	Quarter-Turn Eterna Cartridge w/ Spring Check, Handle, Blue Index & Screw, LTC
13	001638-45NS	Lever Handle (New Style)
14	012442-40NS	Quarter-Turn Eterna Cartridge w/ Spring Check, LTC
15	001019-45	Coupling Nut Washer
16	00CC	1/2" NPT Male Inlet
17	000999-45	Brass Lock Washer
18	002954-45	Shank Lock Nut
19	002712-40NS	Quarter-Turn Eterna Cartridge w/ Spring Check, Handle, Red Index & Screw, RTC
20	012443-40NS	Quarter-Turn Eterna Cartridge w/ Spring Check, RTC
21	001193-19NS	Red Button Index, Press-in
22	014200-45	Star Washer, Anti-Rotation

**Product Specifications:**  
 8" Wall Mount Mixing Faucet, Quarter-Turn Eterna Cartridges w/ Spring Checks, 6" Swing Nozzle w/ Garden Hose Male Outlet, Soap Dish, Lever Handles and 1/2" NPT Male Inlets

**Product Compliance:**  
 ASME A112.18.1 / CSA B125.1  
 NSF 61 - Section 9  
 NSF 372 (Low Lead Content)  
 ANSI A117.1 (ADA)