



T&S BRASS AND BRONZE WORKS, INC.

2 Saddleback Cove / P.O. Box 1088
Travelers Rest, SC 29690

Model No.

B-2460

Item No.

Travelers Rest, SC: 800-476-4103 • Simi Valley, CA: 800-423-0150 • Fax: 864-834-3518 • www.tsbrass.com



ADA Compliant

This Space for Architect/Engineer Approval

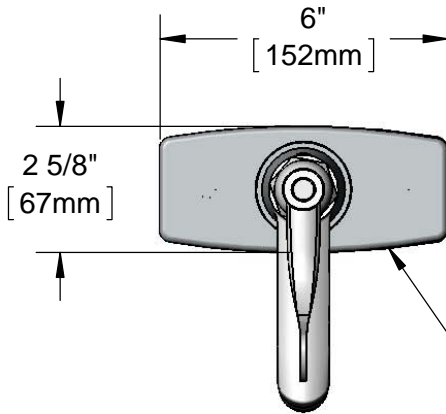
Job Name _____ Date _____

Model Specified _____ Quantity _____

Customer/Wholesaler _____

Contractor _____

Architect/Engineer _____

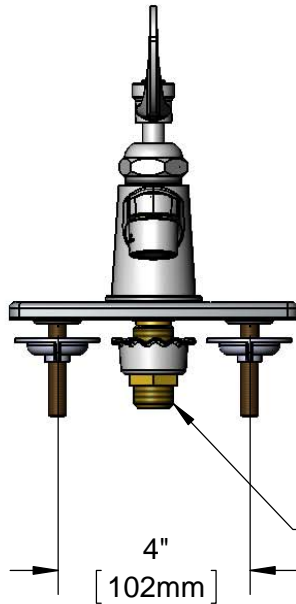


Polished Chrome Plated Deck Plate w/ Deck Gasket



Cerama Cartridge & 4" Wrist Action Handle w/ Color Coded Index

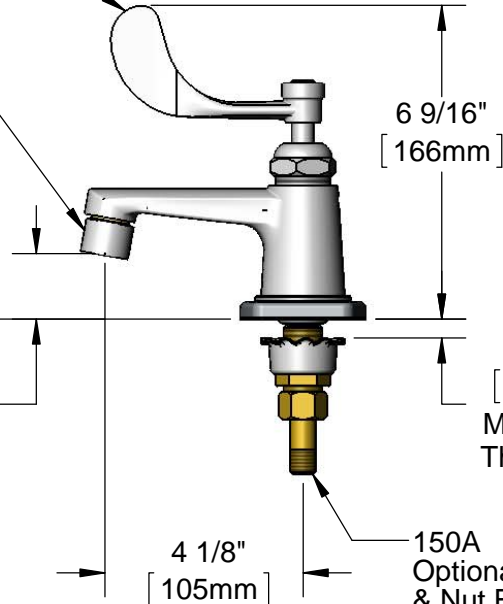
B-0199-07
2.2 GPM Vandal Resistant Aerator



Mounting Surface

1 3/8" [35mm]

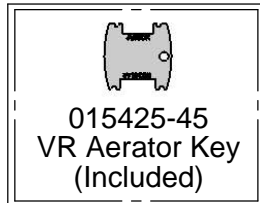
1/2" NPSM Male Inlet



6 9/16" [166mm]

3/8" [10mm] Maximum Thickness

150A
Optional Tailpiece & Nut For 1/4" NPT Connection (Included)



Rough-In Requirement:
(3) \varnothing 1 1/8" [29mm] Mounting Holes

Product Specifications:

Single Hole Single Temperature Faucet, Cerama Cartridge, 4" Wrist Action Handle, 2.2 GPM Vandal Resistant Aerator, Anti-Rotation Deck Plate & 1/2" NPSM Male Inlet

Product Compliance:

ASME A112.18.1 / CSA B125.1
NSF 61 - Section 9
NSF 372 (Low Lead Content)
ANSI A117.1 (ADA)

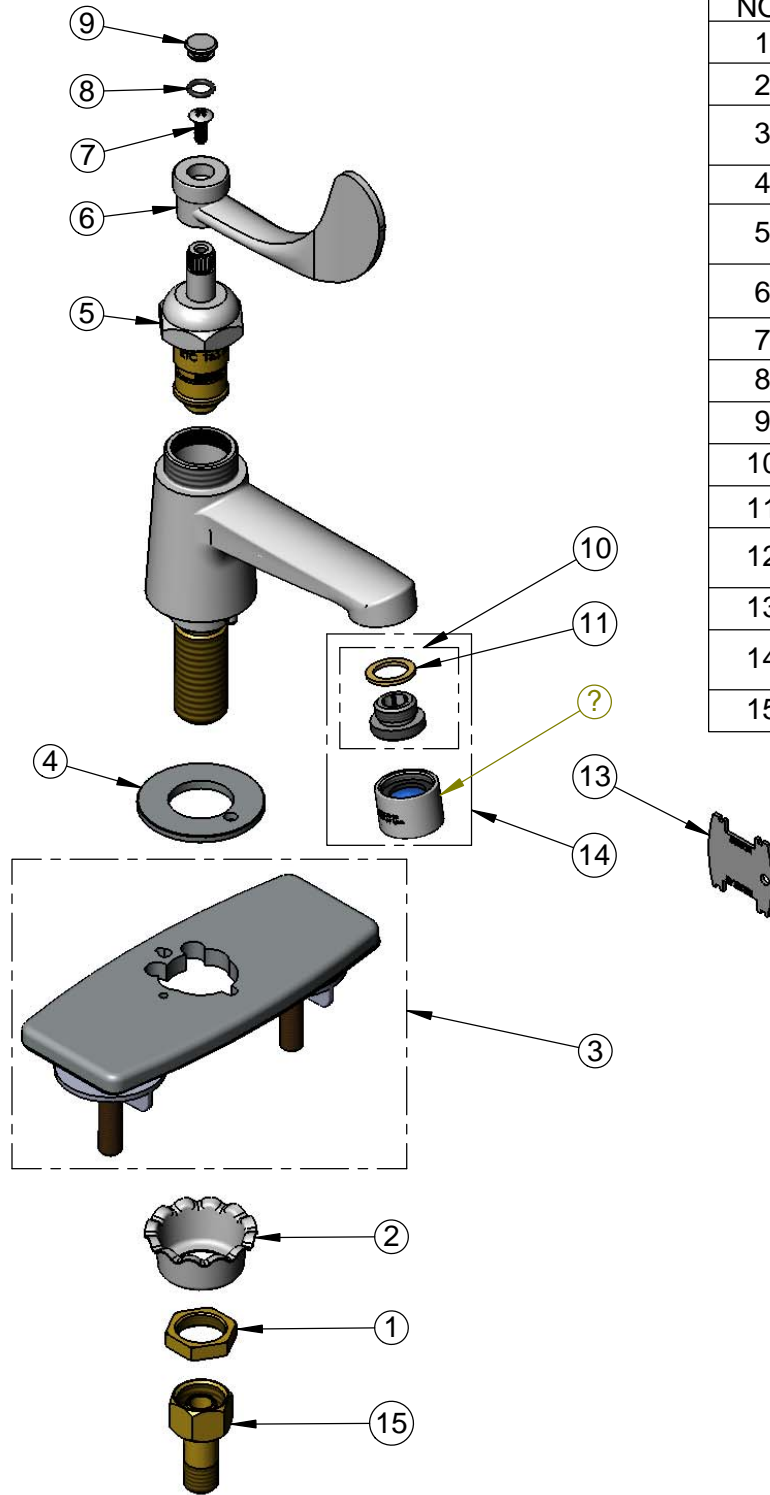


T&S BRASS AND BRONZE WORKS, INC.
 2 Saddleback Cove / P.O. Box 1088
 Travelers Rest, SC 29690

Model No.
B-2460

Item No.

Travelers Rest, SC: 800-476-4103 • Simi Valley, CA: 800-423-0150 • Fax: 864-834-3518 • www.tsbrass.com



ITEM NO.	SALES NO.	DESCRIPTION
1	002954-45	Shank Lock Nut
2	001000-45	Rosette Washer
3	013433-40	4" Universal Deck Plate, Gasket & Mounting Hardware
4	019369-25	Base Ring
5	011278-25	Quarter-Turn Cerama Cartridge, RTC
6	009188-41	4" Decorative Wrist Action Handle
7	000922-45	Lever Handle Screw
8	001066-45	O-Ring
9	009285-40	Decorative Cap Incert - Blank
10	044A	3/8" to Aerator Adapter
11	001043-45	Washer
12	B-0199-06-F10	VR 2.2 GPM Aerator, 55/64-27 UN Female w/ Key
13	015425-45	Vandal Resistant Key
14	B-0199-07	VR 2.2 GPM Aerator, 3/8" NPSM Male w/ Key
15	150A	1/4" NPT Tailpiece & Nut

Product Specifications:
 Single Hole Single Temperature Faucet, Cerama Cartridge, 4" Wrist Action Handle, 2.2 GPM Vandal Resistant Aerator, Anti-Rotation Deck Plate & 1/2" NPSM Male Inlet

Product Compliance:
 ASME A112.18.1 / CSA B125.1
 NSF 61 - Section 9
 NSF 372 (Low Lead Content)
 ANSI A117.1 (ADA)