



**T&S BRASS AND BRONZE WORKS, INC.**  
 2 Saddleback Cove / P.O. Box 1088  
 Travelers Rest, SC 29690

Model No.  
**B-2456**

Item No.

Travelers Rest, SC: 800-476-4103 • Simi Valley, CA: 800-423-0150 • Fax: 864-834-3518 • www.tsbrass.com

This Space for Architect/Engineer Approval

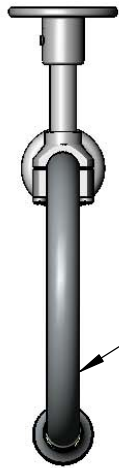
Job Name \_\_\_\_\_ Date \_\_\_\_\_

Model Specified \_\_\_\_\_ Quantity \_\_\_\_\_

Customer/Wholesaler \_\_\_\_\_

Contractor \_\_\_\_\_

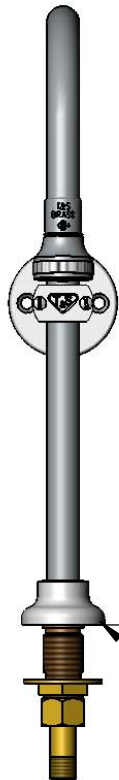
Architect/Engineer \_\_\_\_\_



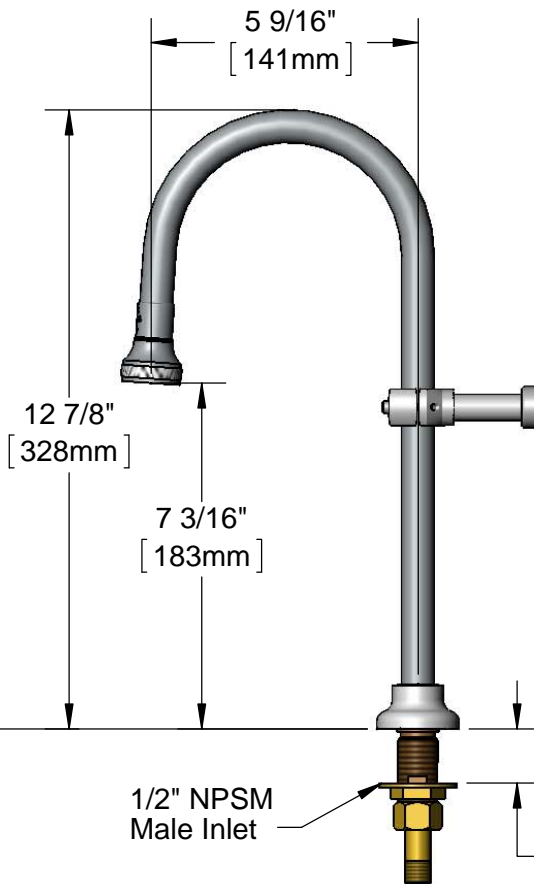
Rigid Gooseneck & Rosespray Outlet



B-0109-06  
 Wall Bracket  
 w/ Mounting Screws



1 11/16"  
 [43mm]  
 Rigid Deck  
 Flange



1/2" NPSM  
 Male Inlet

1 1/8"  
 [29mm]  
 Maximum  
 Thickness

Rough-In Requirement:  
 Ø 1" [25mm] Mounting Hole

Product Specifications:  
 Single Hole Deck Mount Rigid Gooseneck w/ Rosespray  
 Outlet, Wall Bracket and 1/2" NPSM Male Inlet

Product Compliance:  
 ASME A112.18.1 / CSA B125.1  
 NSF 61 - Section 9  
 NSF 372 (Low Lead Content)



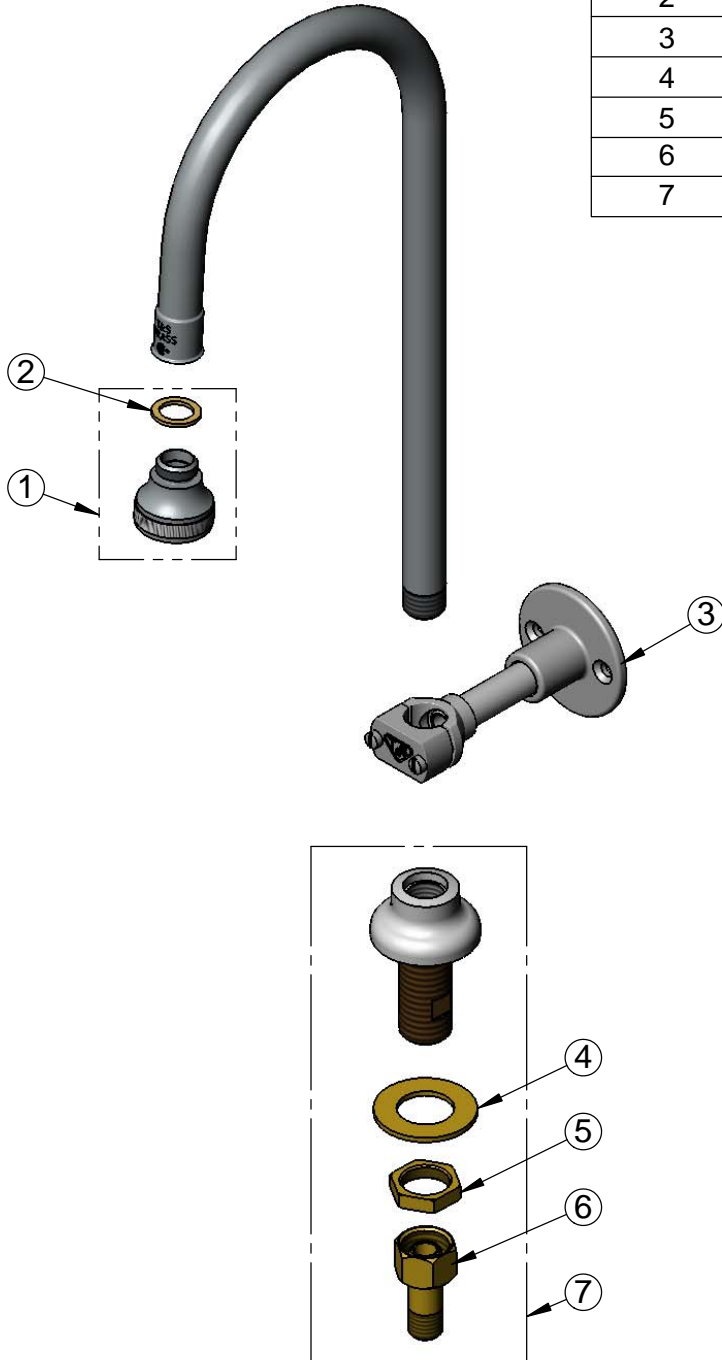
**T&S BRASS AND BRONZE WORKS, INC.**  
 2 Saddleback Cove / P.O. Box 1088  
 Travelers Rest, SC 29690

Model No.  
**B-2456**

Item No.

Travelers Rest, SC: 800-476-4103 • Simi Valley, CA: 800-423-0150 • Fax: 864-834-3518 • www.tsbrass.com

ITEM NO.	SALES NO.	DESCRIPTION
1	B-0103	Rosespray Outlet
2	001043-45	Washer
3	B-0109-06	3" Wall Bracket
4	000999-45	Brass Lock Washer
5	002954-45	Shank Lock Nut
6	150A	Coupling Nut
7	B-0430	Rigid Base Deck Flange



Product Specifications:  
 Single Hole Deck Mount Rigid Gooseneck w/ Rosespray  
 Outlet, Wall Bracket and 1/2" NPSM Male Inlet

Product Compliance:  
 ASME A112.18.1 / CSA B125.1  
 NSF 61 - Section 9  
 NSF 372 (Low Lead Content)