



T&S BRASS AND BRONZE WORKS, INC.

2 Saddleback Cove / P.O. Box 1088
Travelers Rest, SC 29690

Model No.

B-2456-W-119X

Item No.

Travelers Rest, SC: 800-476-4103 • Simi Valley, CA: 800-423-0150 • Fax: 864-834-3518 • www.tsbrass.com

This Space for Architect/Engineer Approval

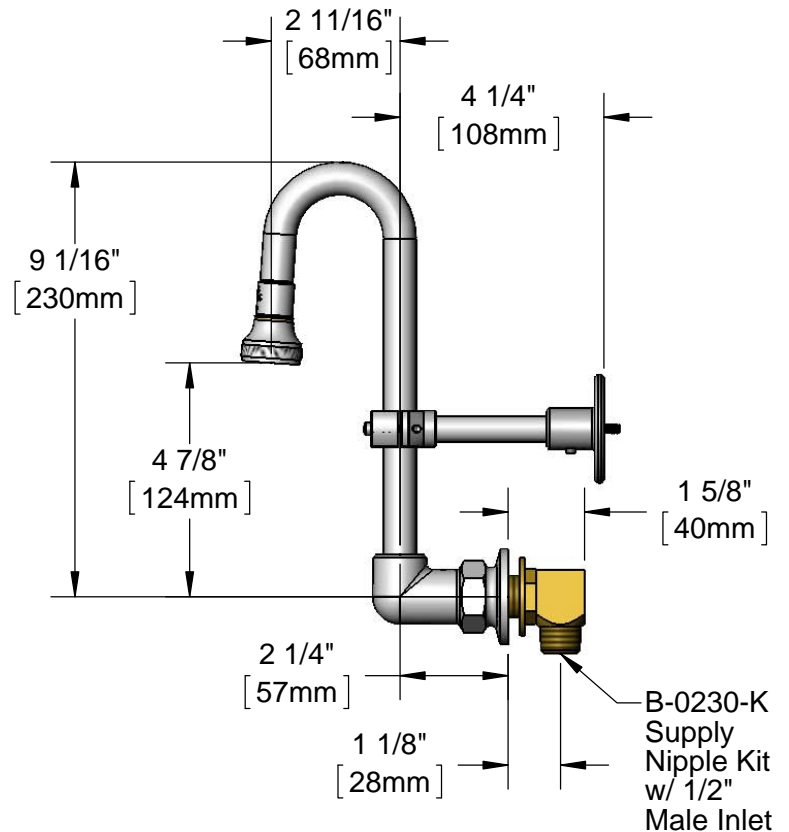
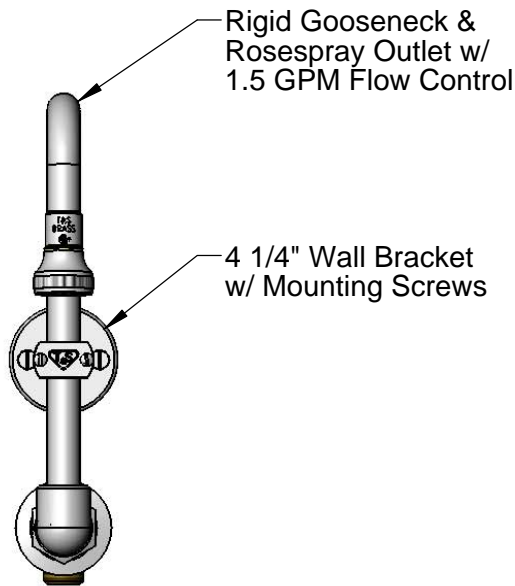
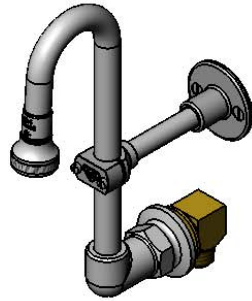
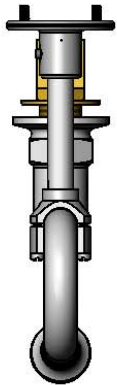
Job Name _____ Date _____

Model Specified _____ Quantity _____

Customer/Wholesaler _____

Contractor _____

Architect/Engineer _____



Rough-In Requirement:
Ø 1" [25mm] Mounting Hole

Product Specifications:

Wall Mount Rigid Elbow, 2 11/16" Rigid Gooseneck, Rosespray, 1.5 GPM Flow Control, Wall Bracket & Supply Nipple Kit w/ 1/2" NPT Male Inlet

Product Compliance:

ASME A112.18.1 / CSA B125.1
NSF 61 - Section 9
NSF 372 (Low Lead Content)



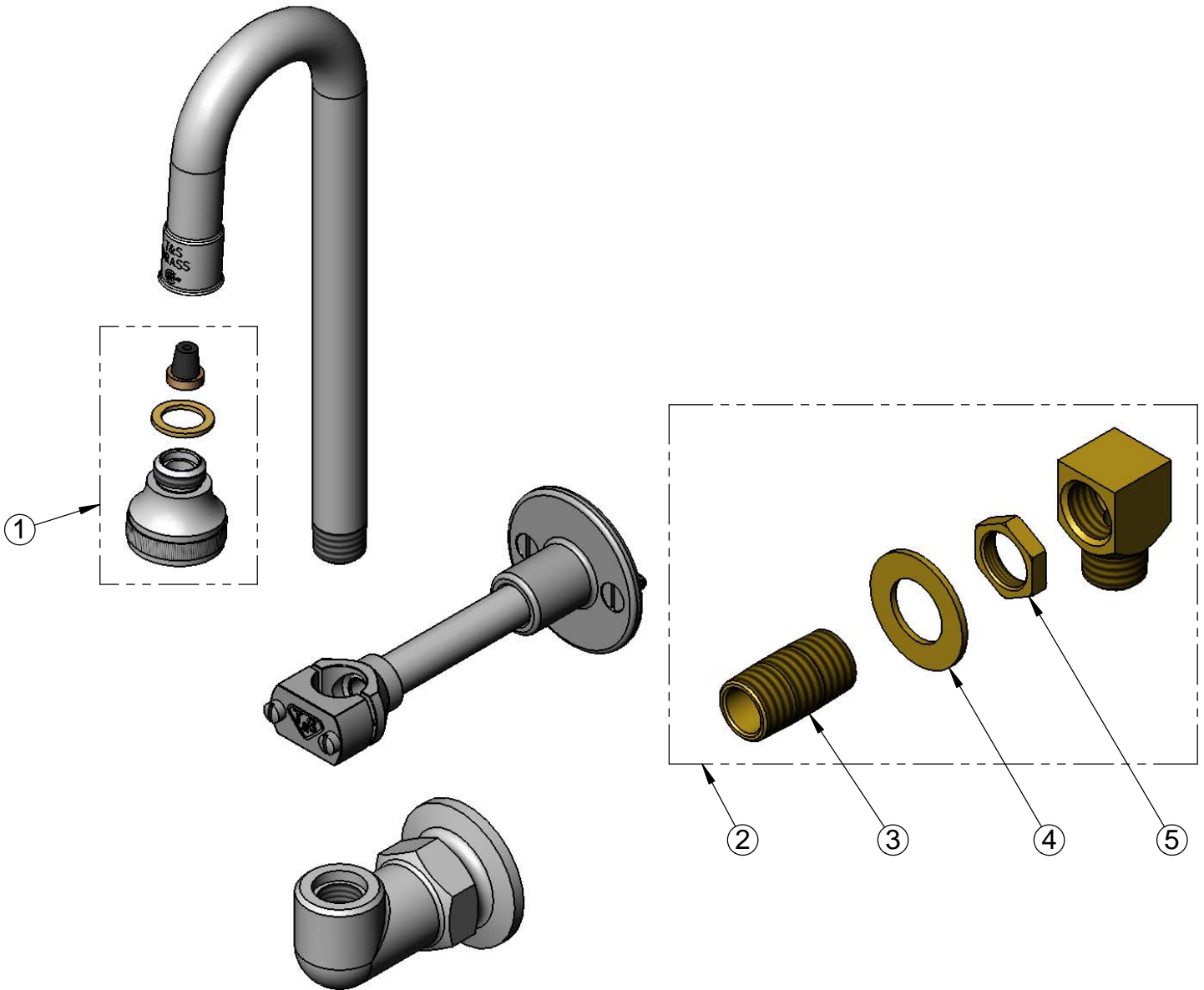
T&S BRASS AND BRONZE WORKS, INC.
 2 Saddleback Cove / P.O. Box 1088
 Travelers Rest, SC 29690

Model No.
B-2456-W-119X

Item No.

Travelers Rest, SC: 800-476-4103 • Simi Valley, CA: 800-423-0150 • Fax: 864-834-3518 • www.tsbrass.com

ITEM NO.	SALES NO.	DESCRIPTION
1	B-0103-F15	Rosespray Outlet w/ 1.5 GPM Flow Control
2	B-0230-K	1/2" NPT Installation Kit
3	013357-20	1/2" NPT x 1-5/8" Close Nipple
4	000999-45	Brass Lock Washer
5	002954-45	Shank Lock Nut



Product Specifications:
 Wall Mount Rigid Elbow, 2 11/16" Rigid Gooseneck, Rosespray, 1.5 GPM
 Flow Control, Wall Bracket & Supply Nipple Kit w/ 1/2" NPT Male Inlet

Product Compliance:
 ASME A112.18.1 / CSA B125.1
 NSF 61 - Section 9
 NSF 372 (Low Lead Content)