



T&S BRASS AND BRONZE WORKS, INC.

2 Saddleback Cove / P.O. Box 1088
Travelers Rest, SC 29690

Model No.

B-2455

Item No.

Travelers Rest, SC: 800-476-4103 • Simi Valley, CA: 800-423-0150 • Fax: 864-834-3518 • www.tsbrass.com

This Space for Architect/Engineer Approval

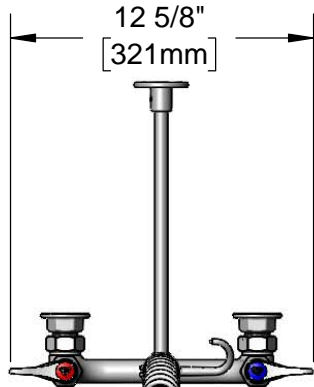
Job Name _____ Date _____

Model Specified _____ Quantity _____

Customer/Wholesaler _____

Contractor _____

Architect/Engineer _____



44" Flexible Stainless Steel Hose w/ Spring & Spray Valve

Items Not Shown For Clarity

Finger Hook

3/8" NPT x 18" Riser

B-0107 1.42 GPM Spray Valve

Quarter-Turn Eterna Cartridges w/ Spring Checks & Lever Handles w/ Color Coded Indexes

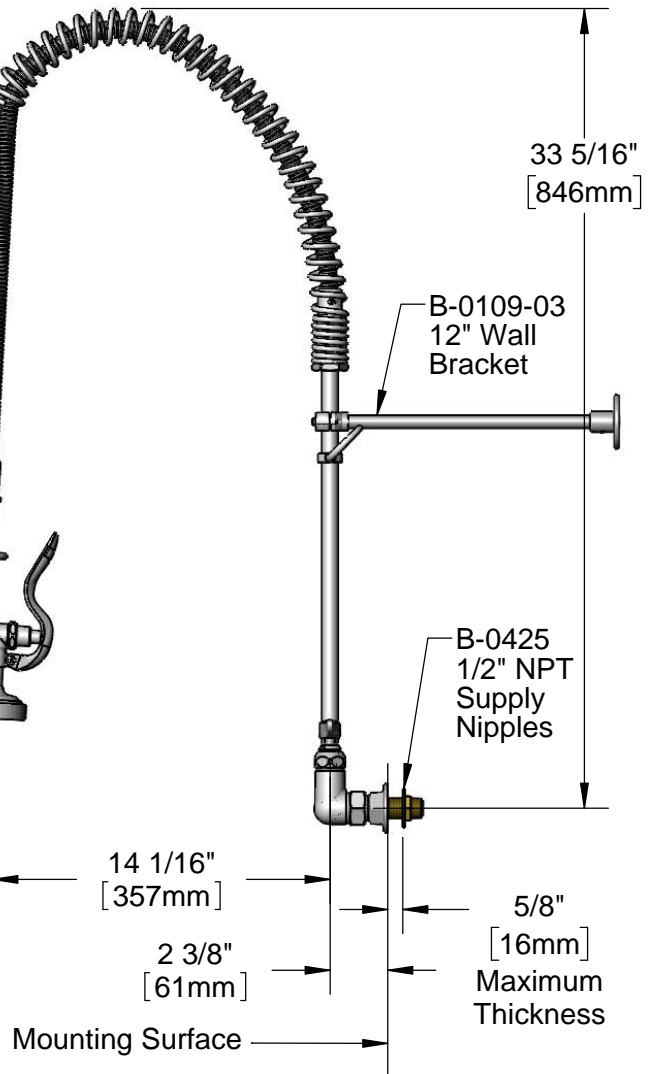
Ø 2" [51mm] Flanges w/ 1/2" NPT Female Inlets

EasyInstall Lock Nut & Bushing

3 11/16" [94mm]

Adjustable From 7 3/4" to 8 1/4" [197mm to 210mm]

8" [203mm]



33 5/16" [846mm]

B-0109-03 12" Wall Bracket

B-0425 1/2" NPT Supply Nipples

14 1/16" [357mm]

2 3/8" [61mm]

5/8" [16mm] Maximum Thickness

Mounting Surface

Rough-In Requirement:
(2) Ø 1" [25mm] Mounting Holes

Product Specifications:

Pre-Rinse Unit: 8" Wall Mount Mixing Faucet, Quarter-Turn Eterna Cartridges w/ Spring Checks, Lever Handles, 44" Flexible Stainless Steel Hose, 1.42 GPM Spray Valve, 12" Wall Bracket, 1/2" NPT Female Inlets & 1/2" NPT Supply Nipple Kits

Product Compliance:

ASME A112.18.1 / CSA B125.1
NSF 61 - Section 9
NSF 372 (Low Lead Content)
EPA Act 2005 (PRSV)



T&S BRASS AND BRONZE WORKS, INC.

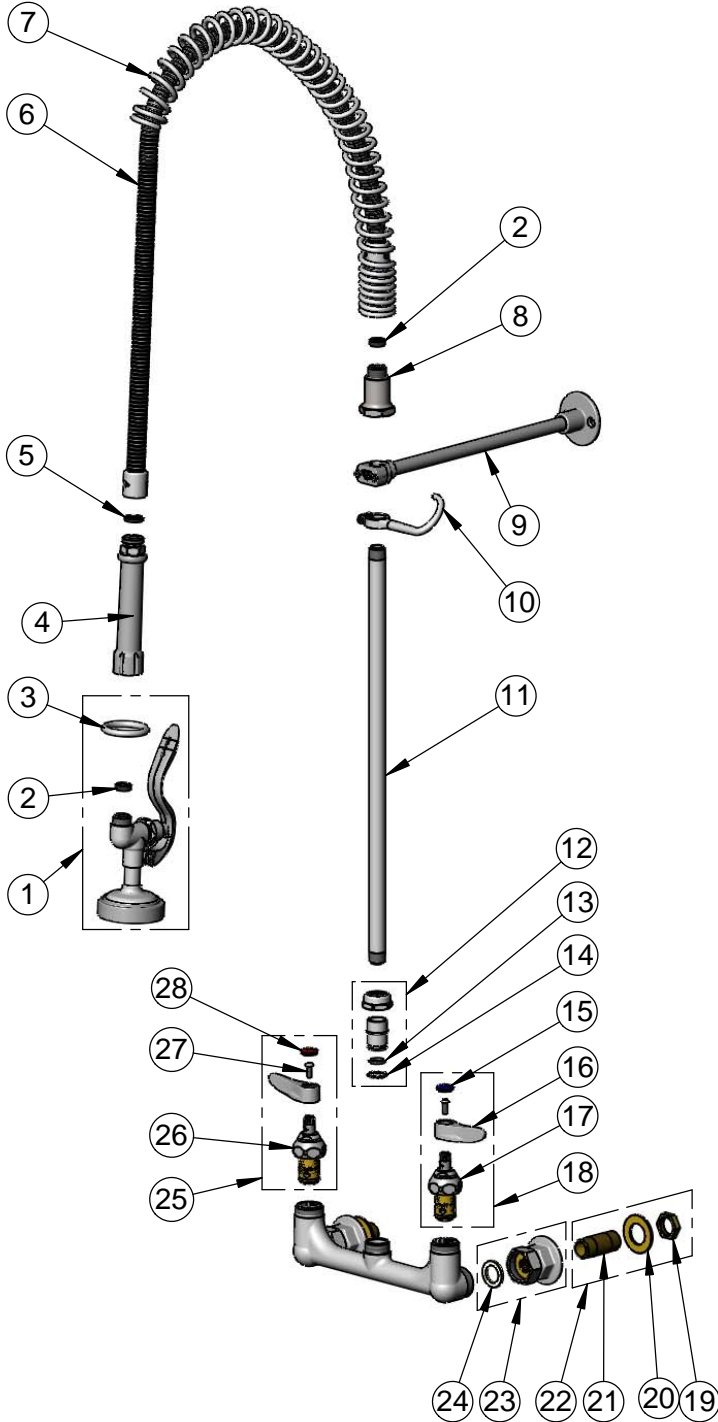
2 Saddleback Cove / P.O. Box 1088
Travelers Rest, SC 29690

Model No.

B-2455

Item No.

Travelers Rest, SC: 800-476-4103 • Simi Valley, CA: 800-423-0150 • Fax: 864-834-3518 • www.tsbrass.com



ITEM NO.	SALES NO.	DESCRIPTION
1	B-0107	1.42 GPM Spray Valve
2	010476-45	#27 Washer
3	000907-45	Spray Valve Hold Down Ring
4	002987-40	Grip Handle
5	001014-45	Washer, B-0100 Hose Barrel
6	B-0044-H2A	44" Flexible Stainless Steel Hose, Less Handle
7	000888-45	EasyInstall Overhead Spring
8	000821-40	Spring Body
9	B-0109-03	12" Wall Bracket
10	004R	Finger Hook
11	000369-40	3/8" NPT x 18" Riser
12	EZ-K	EasyInstall Kit
13	001065-45	O-Ring
14	014200-45	Star Washer, Anti-Rotation
15	018506-19NS	Blue Button Index, Press-in
16	001638-45NS	Lever Handle (New Style)
17	012442-40NS	Quarter-Turn Eterna Cartridge w/ Spring Check, LTC
18	002711-40NS	Quarter-Turn Eterna Cartridge w/ Spring Check, Handle, Blue Index & Screw, LTC
19	002954-45	Shank Lock Nut
20	000999-45	Brass Lock Washer
21	000422-20	1/2" NPT x 2" Nipple
22	B-0425	1/2" NPT Supply Nipple Kit
23	00AA	1/2" NPT Female Eccentric Flange
24	001019-45	Coupling Nut Washer
25	002712-40NS	Quarter-Turn Eterna Cartridge w/ Spring Check, Handle, Red Index & Screw, RTC
26	012443-40NS	Quarter-Turn Eterna Cartridge w/ Spring Check, RTC
27	000925-45	Lab Handle Screw
28	001193-19NS	Red Button Index, Press-in

Product Specifications:

Pre-Rinse Unit: 8" Wall Mount Mixing Faucet, Quarter-Turn Eterna Cartridges w/ Spring Checks, Lever Handles, 44" Flexible Stainless Steel Hose, 1.42 GPM Spray Valve, 12" Wall Bracket, 1/2" NPT Female Inlets & 1/2" NPT Supply Nipple Kits

Product Compliance:

ASME A112.18.1 / CSA B125.1
NSF 61 - Section 9
NSF 372 (Low Lead Content)
EPA Act 2005 (PRSV)