



T&S BRASS AND BRONZE WORKS, INC.

2 Saddleback Cove / P.O. Box 1088
Travelers Rest, SC 29690

Model No.

B-2447

Item No.

Travelers Rest, SC: 800-476-4103 • Simi Valley, CA: 800-423-0150 • Fax: 864-834-3518 • www.tsbrass.com



ADA Compliant

This Space for Architect/Engineer Approval

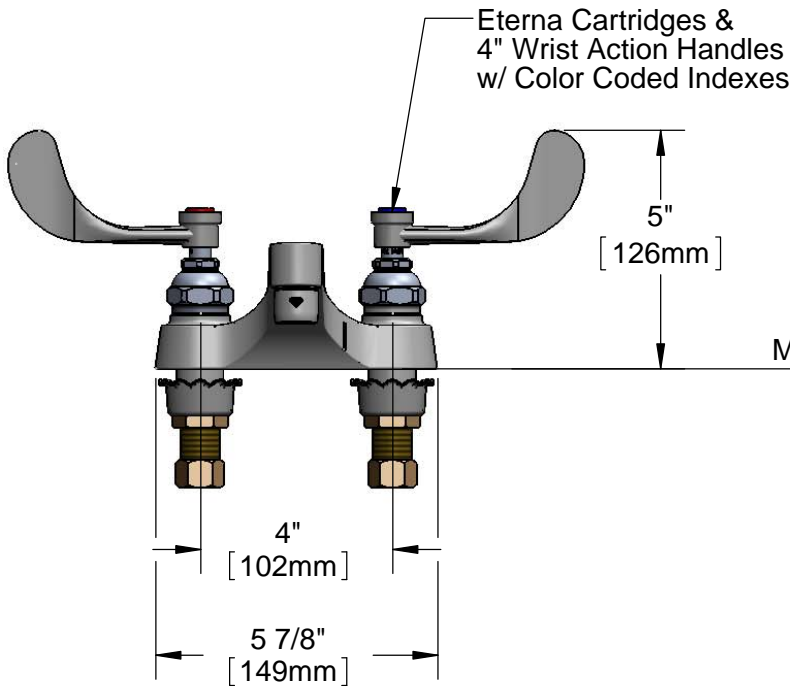
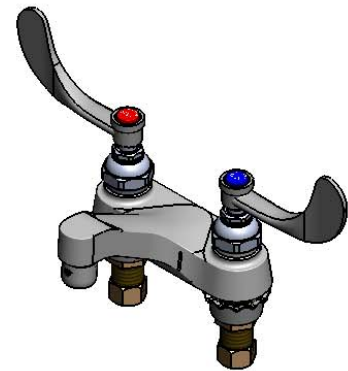
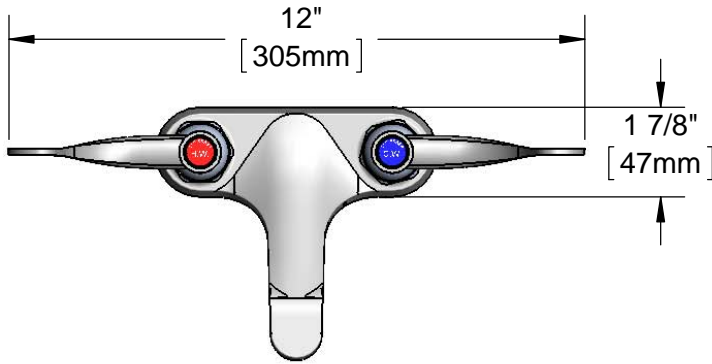
Job Name _____ Date _____

Model Specified _____ Quantity _____

Customer/Wholesaler _____

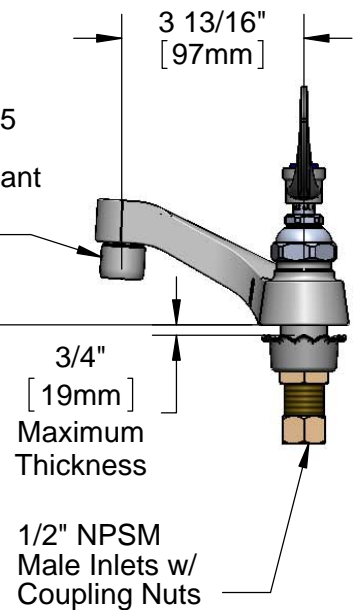
Contractor _____

Architect/Engineer _____



B-0199-03-F05
0.5 GPM
Vandal Resistant
Non-Aerated
Flow Device

Mounting Surface



Rough-In Requirement:

Ø 1 1/8" [29mm] Mounting Holes

Product Specifications:

4" Medical Deck Mount Mixing Faucet, Eterna Cartridges, 4" Wrist Action Handles, 0.5 GPM Non-Aerated Flow Device & 1/2" NPSM Male Inlets w/ Coupling Nuts

Product Compliance:

ASME A112.18.1 / CSA B125.1
NSF 61 - Section 9
NSF 372 (Low Lead Content)
ANSI A117.1 (ADA)

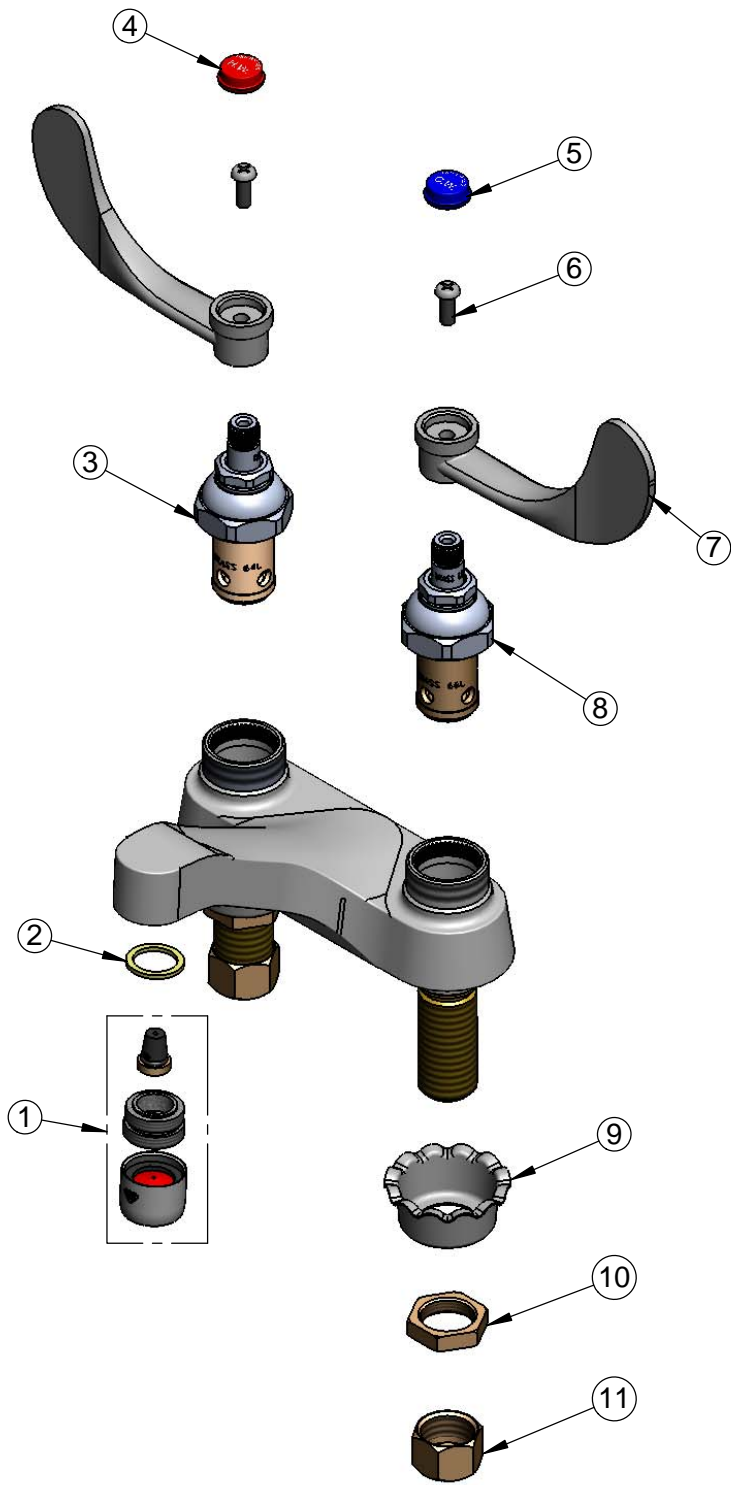


T&S BRASS AND BRONZE WORKS, INC.
 2 Saddleback Cove / P.O. Box 1088
 Travelers Rest, SC 29690

Model No.
B-2447

Item No.

Travelers Rest, SC: 800-476-4103 • Simi Valley, CA: 800-423-0150 • Fax: 864-834-3518 • www.tsbrass.com



| ITEM NO. | SALES NO. | DESCRIPTION |
|----------|---------------|--|
| 1 | B-0199-03-F05 | Vandal Resistant Non-Aerated Flow Device w/ 0.5 GPM Flow Tower |
| 2 | 001048-45 | Nozzle Tip Washer |
| 3 | 006010-40 | Eterna Cartridge, RTC (Teflon) |
| 4 | 001194-45 | Red Index - HW |
| 5 | 001686-45 | Blue Index - CW |
| 6 | 000925-45 | Lab Handle Screw |
| 7 | B-WH4 | 4" Wrist Action Handle |
| 8 | 006009-40 | Eterna Cartridge, LTC (Teflon) |
| 9 | 001000-45 | Rosette Washer |
| 10 | 002954-45 | Shank Lock Nut |
| 11 | 000958-20 | Coupling Nut |

Product Specifications:

4" Medical Deck Mount Mixing Faucet, Eterna Cartridges, 4" Wrist Action Handles, 0.5 GPM Non-Aerated Flow Device & 1/2" NPSM Male Inlets w/ Coupling Nuts

Product Compliance:

ASME A112.18.1 / CSA B125.1
 NSF 61 - Section 9
 NSF 372 (Low Lead Content)
 ANSI A117.1 (ADA)