



T&S BRASS AND BRONZE WORKS, INC.

2 Saddleback Cove / P.O. Box 1088
Travelers Rest, SC 29690

Model No.

B-2444

Item No.

Travelers Rest, SC: 800-476-4103 • Simi Valley, CA: 800-423-0150 • Fax: 864-834-3518 • www.tsbrass.com



ADA Compliant

This Space for Architect/Engineer Approval

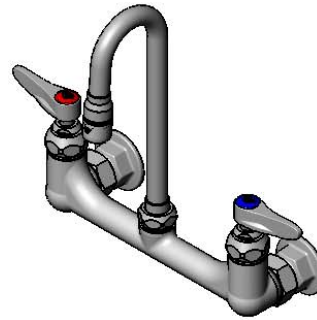
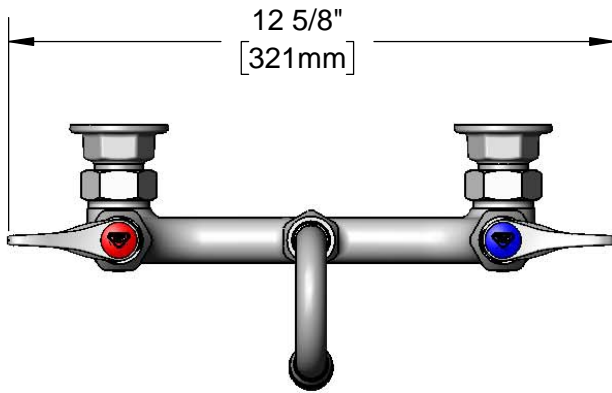
Job Name _____ Date _____

Model Specified _____ Quantity _____

Customer/Wholesaler _____

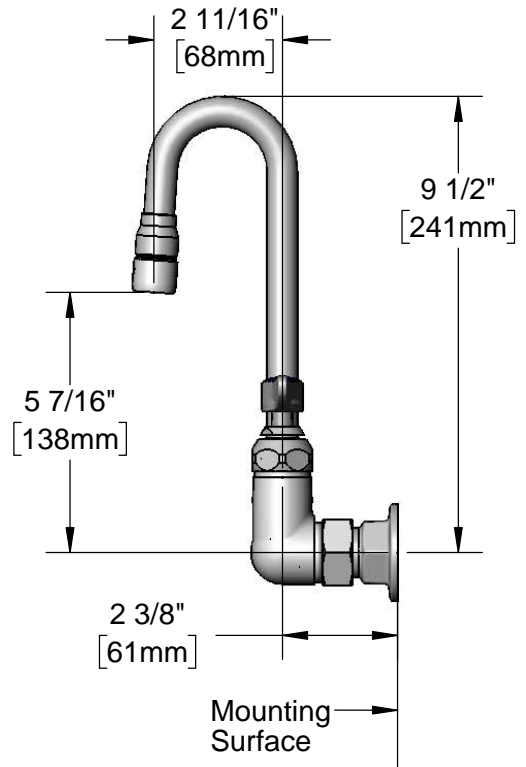
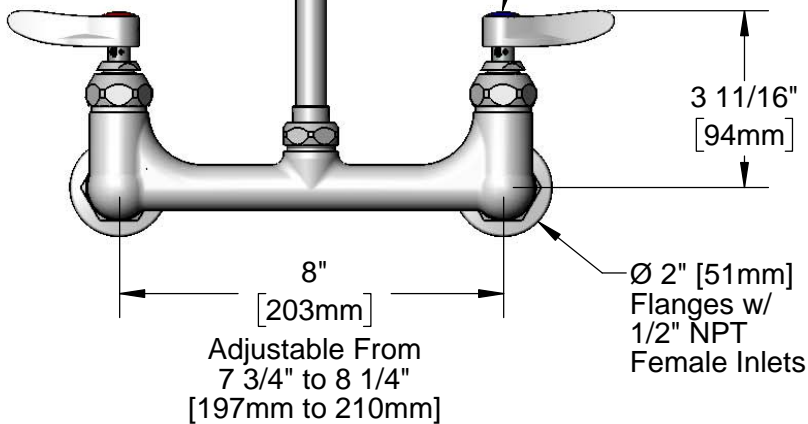
Contractor _____

Architect/Engineer _____



132X-A22
Swivel/Rigid Gooseneck
w/ 2.2 GPM Aerator.
Converts to Rigid w/
014200-45 Lock Washer
(Included)

Quarter-Turn
Eterna Cartridges
w/ Spring Checks &
Lever Handles w/
Color Coded Indexes



Product Specifications:

8" Wall Mount Mixing Faucet, Quarter-Turn Eterna Cartridges w/ Spring Checks, Lever Handles, 2 11/16" Swivel/Rigid Gooseneck w/ 2.2 GPM Aerator & 1/2" NPT Female Inlets

Product Compliance:

ASME A112.18.1 / CSA B125.1
NSF 61 - Section 9
NSF 372 (Low Lead Content)
ANSI A117.1 (ADA)

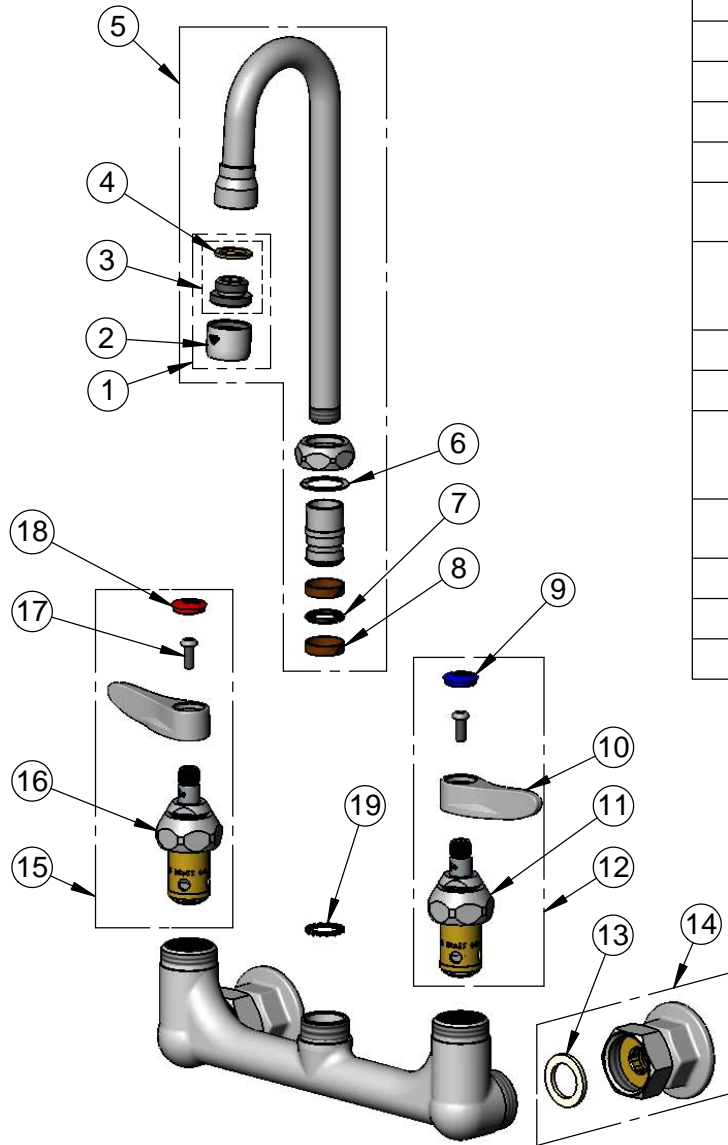


T&S BRASS AND BRONZE WORKS, INC.
 2 Saddleback Cove / P.O. Box 1088
 Travelers Rest, SC 29690

Model No.
B-2444
 Item No.

Travelers Rest, SC: 800-476-4103 • Simi Valley, CA: 800-423-0150 • Fax: 864-834-3518 • www.tsbrass.com

ITEM NO.	SALES NO.	DESCRIPTION
1	B-0199-02	2.2 GPM Aerator, 3/8" NPSM Male
2	B-0199-01	2.2 GPM Aerator, 55/64"-27 UN Female
3	044A	3/8" to Aerator Adapter
4	001043-45	Washer
5	132X-A22	2-11/16" Swivel/Rigid Gooseneck
6	009538-45	Swivel Washer
7	001074-45	O-Ring
8	011429-45	Swivel Sleeves (2)
9	018506-19NS	Blue Button Index, Press-in
10	001638-45NS	Lever Handle (New Style)
11	012442-40NS	Quarter-Turn Eterna Cartridge, LTC w/ Spring Check
12	002711-40NS	Quarter-Turn Eterna Cartridge, LTC w/ Spring Check, Handle, Blue Index & Screw
13	001019-45	Coupling Nut Washer
14	00AA	1/2" NPT Female Eccentric Flange
15	002712-40NS	Quarter-Turn Eterna Cartridge, RTC w/ Spring Check, Handle, Red Index & Screw
16	012443-40NS	Quarter-Turn Eterna Cartridge, RTC w/ Spring Check
17	000925-45	Lab Handle Screw </td
18	001193-19NS	Red Button Index, Press-in
19	014200-45	Star Washer, Anti-Rotation



Product Specifications:
 8" Wall Mount Mixing Faucet, Quarter-Turn Eterna Cartridges w/ Spring Checks, Lever Handles, 2 11/16" Swivel/Rigid Gooseneck w/ 2.2 GPM Aerator & 1/2" NPT Female Inlets

Product Compliance:
 ASME A112.18.1 / CSA B125.1
 NSF 61 - Section 9
 NSF 372 (Low Lead Content)
 ANSI A117.1 (ADA)