



# T&S BRASS AND BRONZE WORKS, INC.

2 Saddleback Cove / P.O. Box 1088  
Travelers Rest, SC 29690

Model No.

**B-2443-F10**

Item No.

Travelers Rest, SC: 800-476-4103 • Simi Valley, CA: 800-423-0150 • Fax: 864-834-3518 • www.tsbrass.com



**ADA Compliant**

This Space for Architect/Engineer Approval

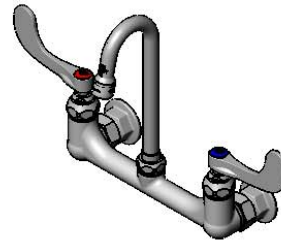
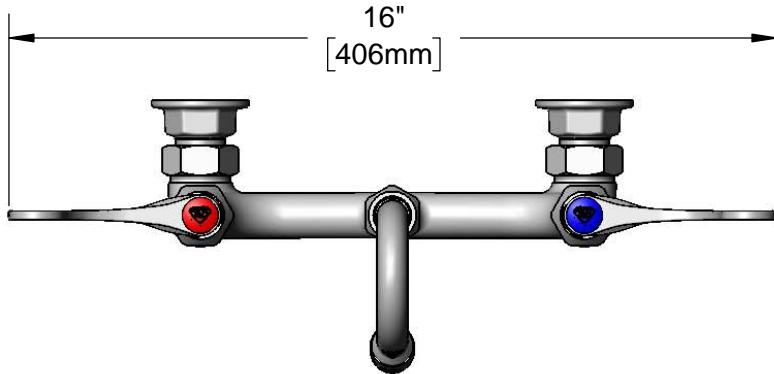
Job Name \_\_\_\_\_ Date \_\_\_\_\_

Model Specified \_\_\_\_\_ Quantity \_\_\_\_\_

Customer/Wholesaler \_\_\_\_\_

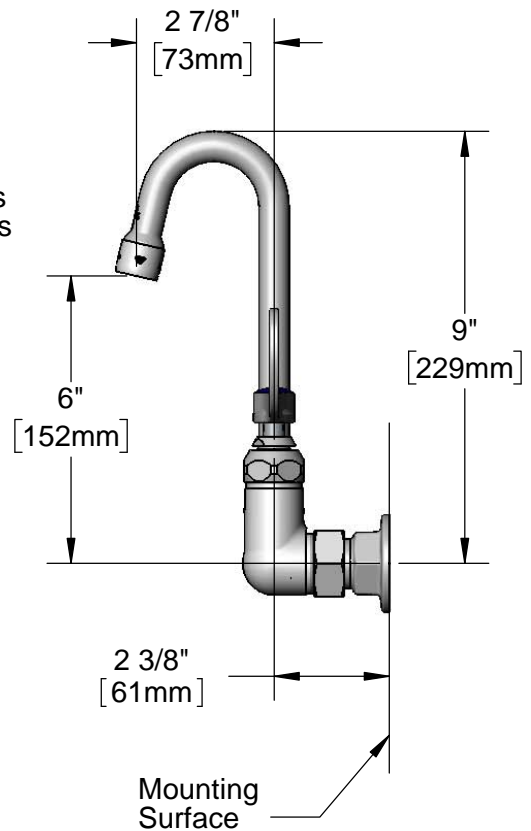
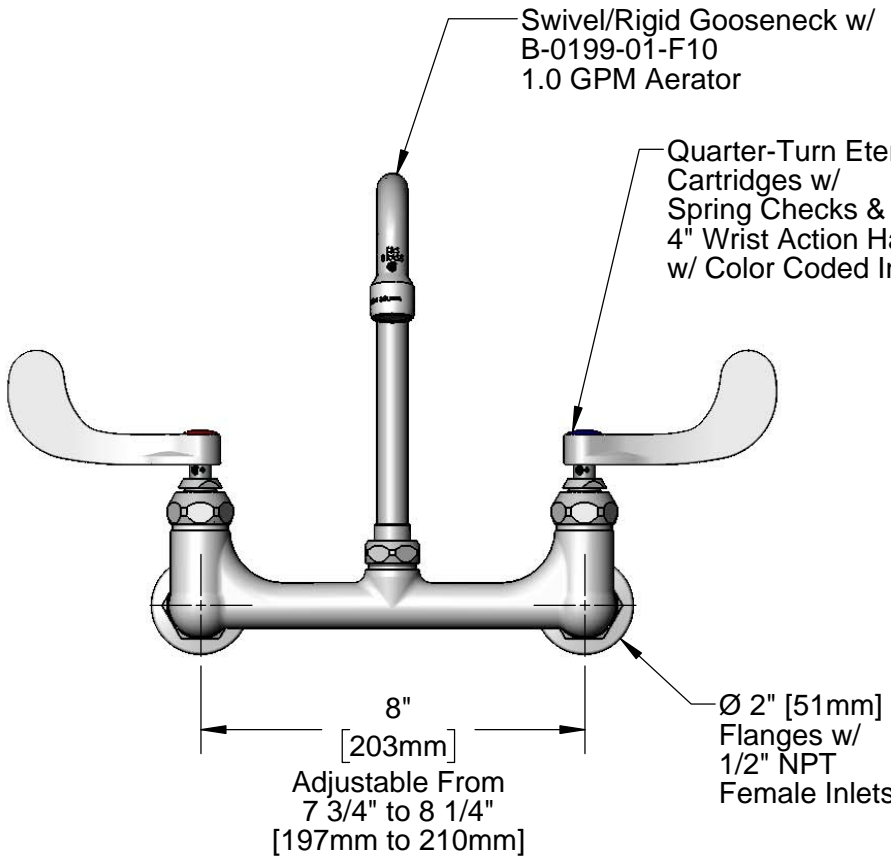
Contractor \_\_\_\_\_

Architect/Engineer \_\_\_\_\_



Swivel/Rigid Gooseneck w/  
B-0199-01-F10  
1.0 GPM Aerator

Quarter-Turn Eterna  
Cartridges w/  
Spring Checks &  
4" Wrist Action Handles  
w/ Color Coded Indexes



**Product Specifications:**

8" Wall Mount Mixing Faucet, Quarter-Turn Eterna Cartridges w/  
Spring Checks, 4" Wrist Action Handles, Swivel/Rigid Gooseneck w/  
1.0 GPM Aerator & 1/2" NPT Female Inlets

**Product Compliance:**

ASME A112.18.1 / CSA B125.1  
NSF 61 - Section 9  
NSF 372 (Low Lead Content)  
ANSI A117.1 (ADA)

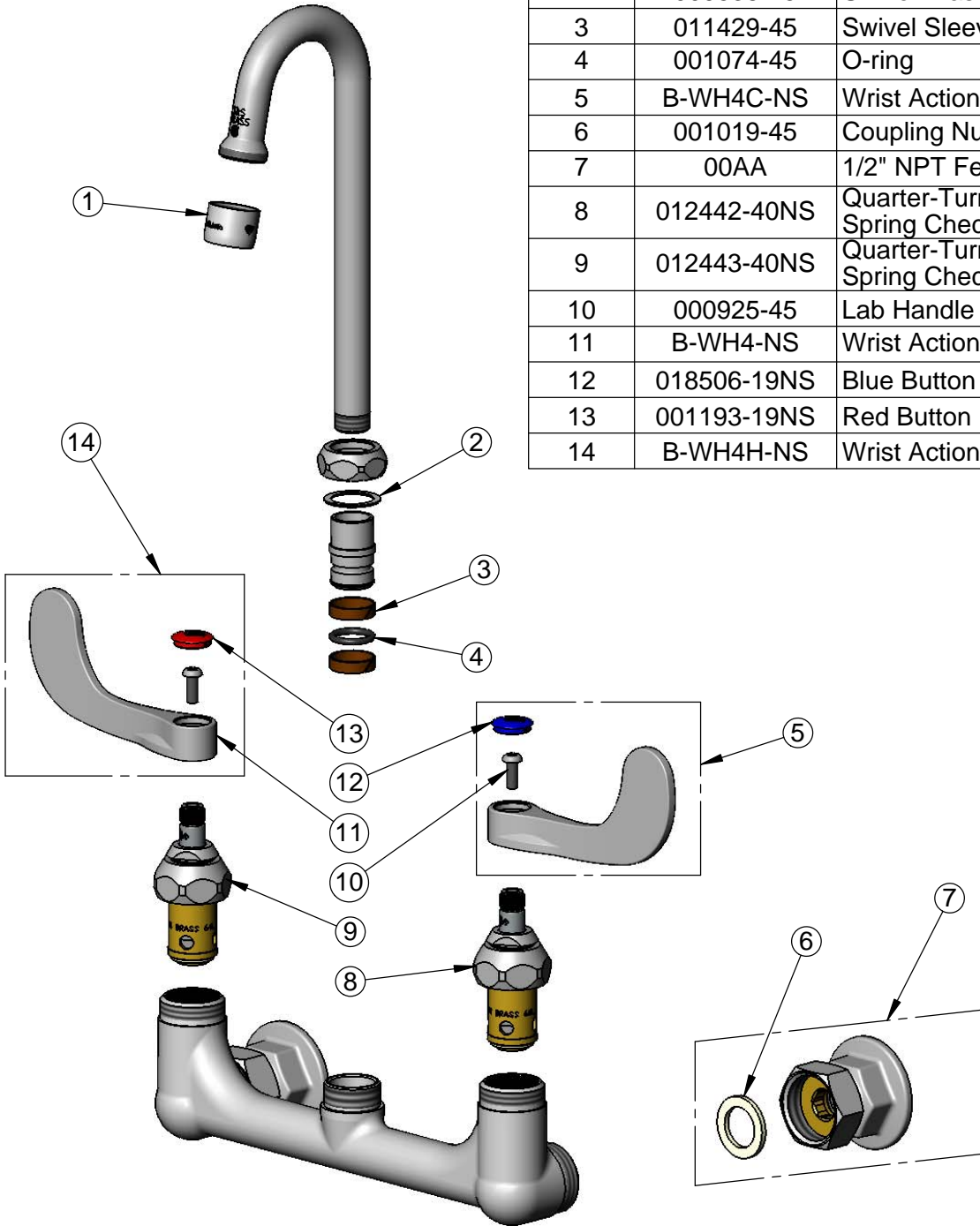


**T&S BRASS AND BRONZE WORKS, INC.**  
 2 Saddleback Cove / P.O. Box 1088  
 Travelers Rest, SC 29690

Model No.  
**B-2443-F10**  
 Item No.

Travelers Rest, SC: 800-476-4103 • Simi Valley, CA: 800-423-0150 • Fax: 864-834-3518 • www.tsbrass.com

ITEM NO.	SALES NO.	DESCRIPTION
1	B-0199-01-F10	1.0 GPM Aerator, 55/64-27 Female
2	009538-45	Swivel Washer
3	011429-45	Swivel Sleeves (2)
4	001074-45	O-ring
5	B-WH4C-NS	Wrist Action Handle, Blue Index & Screw
6	001019-45	Coupling Nut Washer
7	00AA	1/2" NPT Female Eccentric Flange
8	012442-40NS	Quarter-Turn Eterna Cartridge, LTC w/ Spring Check
9	012443-40NS	Quarter-Turn Eterna Cartridge, RTC w/ Spring Check
10	000925-45	Lab Handle Screw
11	B-WH4-NS	Wrist Action Handle (New Style)
12	018506-19NS	Blue Button Index, Press-in
13	001193-19NS	Red Button Index, Press-in
14	B-WH4H-NS	Wrist Action Handle, Red Index & Screw



**Product Specifications:**  
 8" Wall Mount Mixing Faucet, Quarter-Turn Eterna Cartridges w/ Spring Checks, 4" Wrist Action Handles, Swivel/Rigid Gooseneck w/ 1.0 GPM Aerator & 1/2" NPT Female Inlets

**Product Compliance:**  
 ASME A112.18.1 / CSA B125.1  
 NSF 61 - Section 9  
 NSF 372 (Low Lead Content)  
 ANSI A117.1 (ADA)