



**T&S BRASS AND BRONZE WORKS, INC.**  
 2 Saddleback Cove / P.O. Box 1088  
 Travelers Rest, SC 29690

Model No.  
**B-2443-F1-CR-SC**

Item No.

Travelers Rest, SC: 800-476-4103 • Simi Valley, CA: 800-423-0150 • Fax: 864-834-3518 • www.tsbrass.com



**ADA Compliant**

This Space for Architect/Engineer Approval

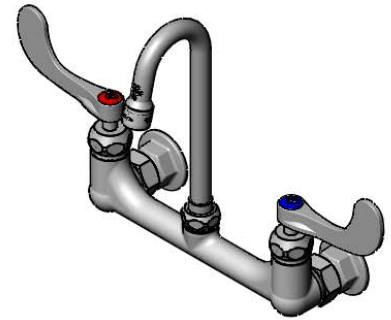
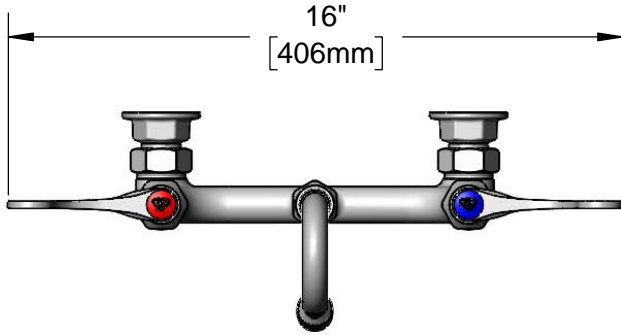
Job Name \_\_\_\_\_ Date \_\_\_\_\_

Model Specified \_\_\_\_\_ Quantity \_\_\_\_\_

Customer/Wholesaler \_\_\_\_\_

Contractor \_\_\_\_\_

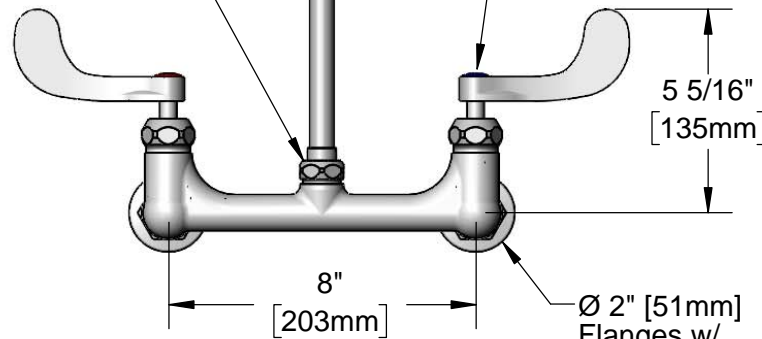
Architect/Engineer \_\_\_\_\_



Swivel/Rigid Gooseneck w/  
 B-0199-01-F10  
 1.0 GPM Aerator.  
 Converts to Rigid w/ included  
 014200-45 Lock Washer

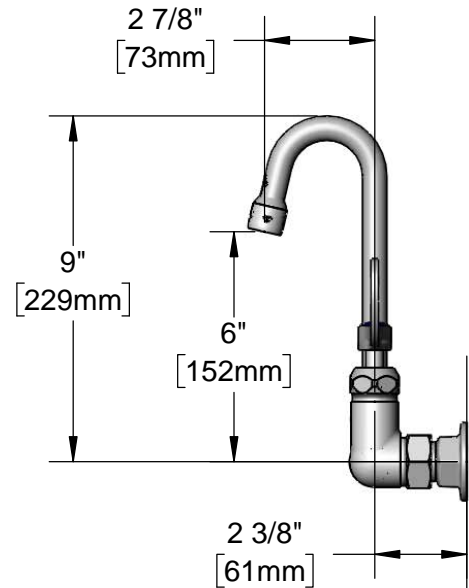
Quarter-Turn  
 Cerama Cartridges w/  
 Check Valves &  
 4" Wrist Action Handles  
 w/ Color Coded Indexes

Swivel Joint



Adjustable From  
 7 3/4" to 8 1/4"  
 [197mm to 210mm]

Ø 2" [51mm]  
 Flanges w/  
 1/2" NPT  
 Female Inlets



Mounting Surface

**Product Specifications:**

8" Wall Mount Mixing Faucet, Quarter-Turn Cerama Cartridges w/ Check Valves, 4" Wrist Action Handles, 2 7/8" Swivel/Rigid Gooseneck, 1.0 GPM Aerator & 1/2" NPT Female Inlets

**Product Compliance:**

ASME A112.18.1 / CSA B125.1  
 NSF 61 - Section 9  
 NSF 372 (Low Lead Content)  
 ANSI A117.1 (ADA)



# T&S BRASS AND BRONZE WORKS, INC.

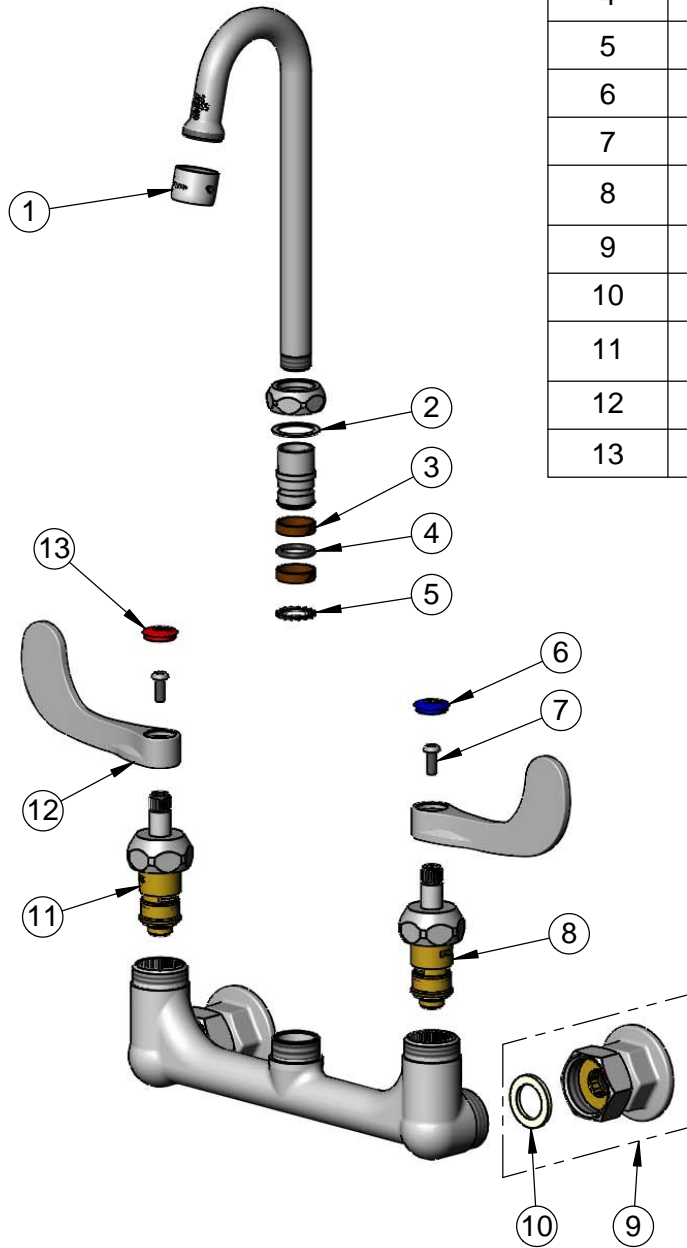
2 Saddleback Cove / P.O. Box 1088  
Travelers Rest, SC 29690

Model No.

**B-2443-F1-CR-SC**

Item No.

Travelers Rest, SC: 800-476-4103 • Simi Valley, CA: 800-423-0150 • Fax: 864-834-3518 • www.tsbrass.com



ITEM NO.	SALES NO.	DESCRIPTION
1	B-0199-01-F10	1.0 GPM Aerator, 55/64-27 UN Female
2	009538-45	Swivel Washer
3	011429-45	Swivel Sleeves (2)
4	001074-45	O-ring
5	014200-45	Star Washer, Anti-Rotation
6	018506-19NS	Blue Button Index, Press-in
7	000925-45	Lab Handle Screw
8	012395-25NS	Quarter-Turn Cerama Cartridge w/ Check Valve, LTC
9	00AA	1/2" NPT Female Eccentric Flange
10	001019-45	Coupling Nut Washer
11	012394-25NS	Quarter-Turn Cerama Cartridge w/ Check Valve, RTC
12	B-WH4-NS	Wrist Action Handle (New Style)
13	001193-19NS	Red Button Index, Press-in

**Product Specifications:**

8" Wall Mount Mixing Faucet, Quarter-Turn Cerama Cartridges w/ Check Valves, 4" Wrist Action Handles, 2 7/8" Swivel/Rigid Gooseneck, 1.0 GPM Aerator & 1/2" NPT Female Inlets

**Product Compliance:**

ASME A112.18.1 / CSA B125.1  
NSF 61 - Section 9  
NSF 372 (Low Lead Content)  
ANSI A117.1 (ADA)