



# T&S BRASS AND BRONZE WORKS, INC.

2 Saddleback Cove / P.O. Box 1088  
Travelers Rest, SC 29690

Model No.

**B-2429-CR-EK**

Item No.

Travelers Rest, SC: 800-476-4103 • Simi Valley, CA: 800-423-0150 • Fax: 864-834-3518 • www.tsbrass.com



**ADA Compliant**

This Space for Architect/Engineer Approval

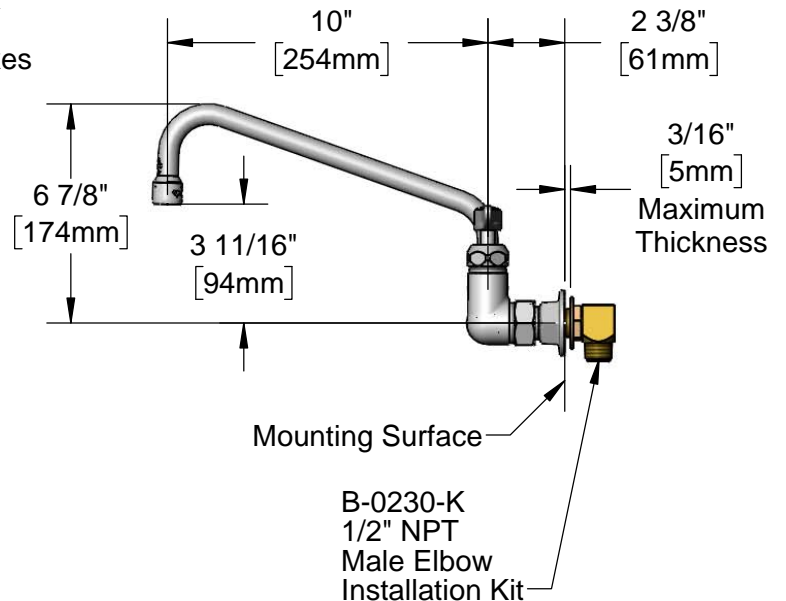
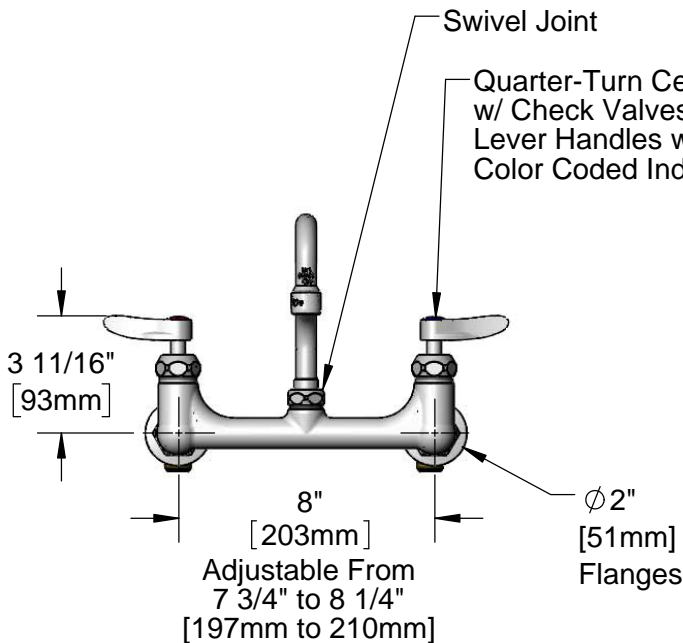
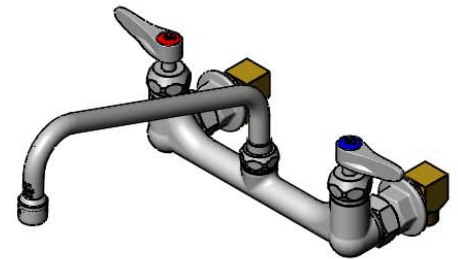
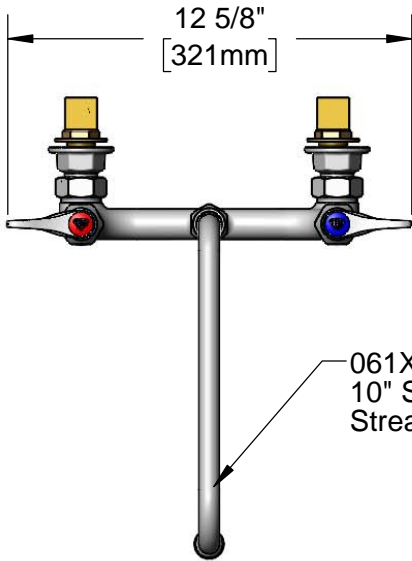
Job Name \_\_\_\_\_ Date \_\_\_\_\_

Model Specified \_\_\_\_\_ Quantity \_\_\_\_\_

Customer/Wholesaler \_\_\_\_\_

Contractor \_\_\_\_\_

Architect/Engineer \_\_\_\_\_



**Rough-In Requirement:**  
(2) 1" [25mm] Mounting Holes

**Product Specifications:**  
8" Wall Mount Base Faucet, Quarter-Turn Cerama Cartridges w/ Check Valves, Lever Handles, 10" Swing Nozzle w/ Stream Regulator Outlet & 1/2" NPT Male Elbow Installation Kit

**Product Compliance:**  
ASME A112.18.1 / CSA B125.1  
NSF 61 - Section 9  
NSF 372 (Low Lead Content)  
ANSI A117.1 (ADA)



# T&S BRASS AND BRONZE WORKS, INC.

2 Saddleback Cove / P.O. Box 1088  
Travelers Rest, SC 29690

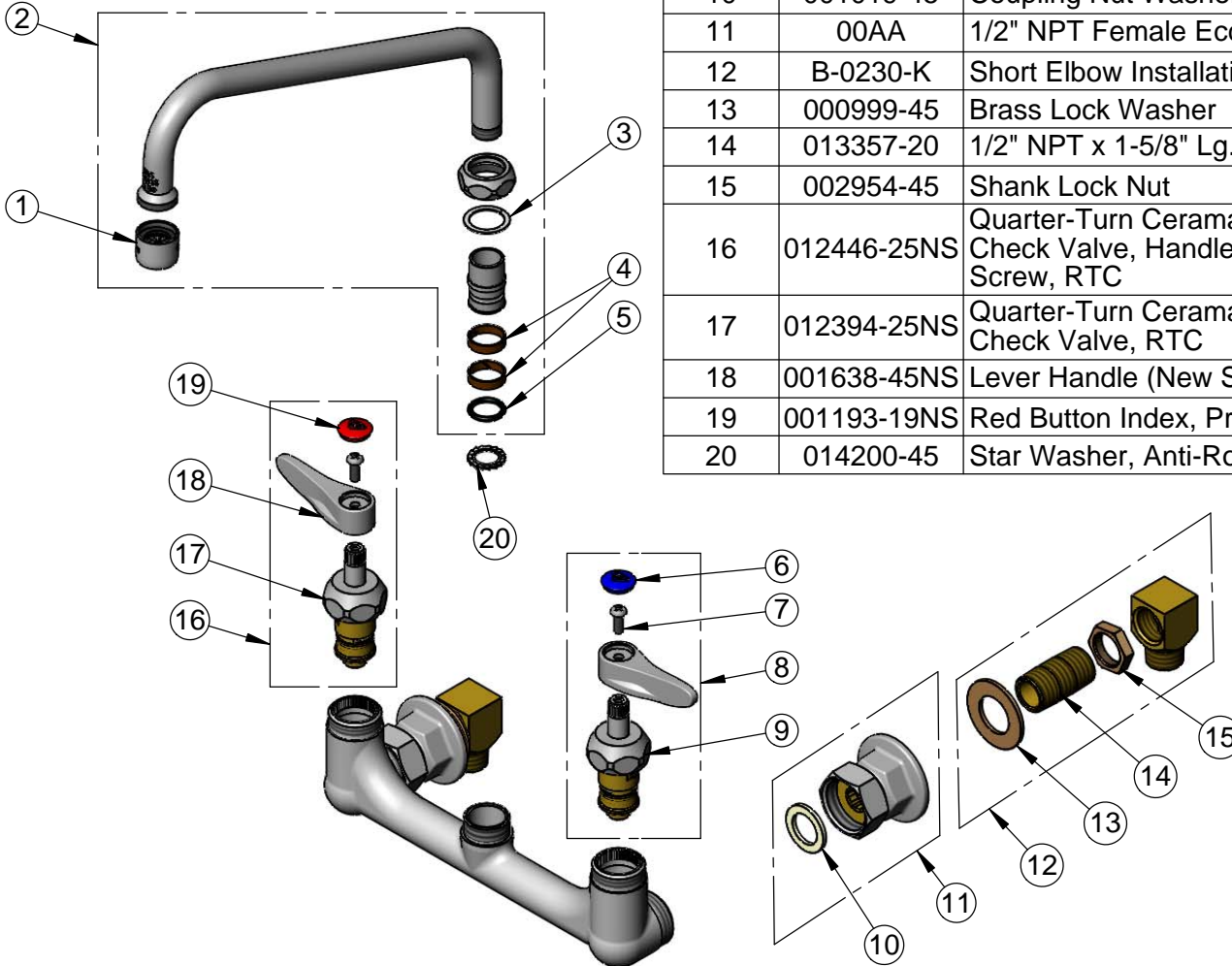
Model No.

**B-2429-CR-EK**

Item No.

Travelers Rest, SC: 800-476-4103 • Simi Valley, CA: 800-423-0150 • Fax: 864-834-3518 • www.tsbrass.com

ITEM NO.	SALES NO.	DESCRIPTION
1	B-PT	Full Flow Stream Regulator, 55/64-27
2	061X	10" Swing Nozzle
3	009538-45	Swivel Washer
4	011429-45	Swivel Sleeves (2)
5	001074-45	O-Ring
6	018506-19NS	Blue Button Index, Press-in
7	000925-45	Lab Handle Screw
8	012447-25NS	Quarter-Turn Cerama Cartridge w/ Check Valve, Handle, Blue Index & Screw, LTC
9	012395-25NS	Quarter-Turn Cerama Cartridge w/ Check Valve, LTC
10	001019-45	Coupling Nut Washer
11	00AA	1/2" NPT Female Eccentric Flange
12	B-0230-K	Short Elbow Installation Kit
13	000999-45	Brass Lock Washer
14	013357-20	1/2" NPT x 1-5/8" Lg. Close Nipple
15	002954-45	Shank Lock Nut
16	012446-25NS	Quarter-Turn Cerama Cartridge w/ Check Valve, Handle, Red Index & Screw, RTC
17	012394-25NS	Quarter-Turn Cerama Cartridge w/ Check Valve, RTC
18	001638-45NS	Lever Handle (New Style)
19	001193-19NS	Red Button Index, Press-in
20	014200-45	Star Washer, Anti-Rotation



**Product Specifications:**

8" Wall Mount Base Faucet, Quarter-Turn Cerama Cartridges w/ Check Valves, Lever Handles, 10" Swing Nozzle w/ Stream Regulator Outlet & 1/2" NPT Male Elbow Installation Kit

**Product Compliance:**

ASME A112.18.1 / CSA B125.1  
NSF 61 - Section 9  
NSF 372 (Low Lead Content)  
ANSI A117.1 (ADA)