



T&S BRASS AND BRONZE WORKS, INC.

2 Saddleback Cove / P.O. Box 1088
Travelers Rest, SC 29690

Model No.

B-2382

Item No.

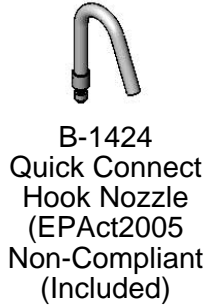
Travelers Rest, SC: 800-476-4103 • Simi Valley, CA: 800-423-0150 • Fax: 864-834-3518 • www.tsbrass.com



B-1421
Spray Head
(EPAAct2005
Compliant)
(Included)



B-1422
Spray Nozzle
(EPAAct2005
Non-Compliant)
(Included)



B-1424
Quick Connect
Hook Nozzle
(EPAAct2005
Non-Compliant)
(Included)

This Space for Architect/Engineer Approval

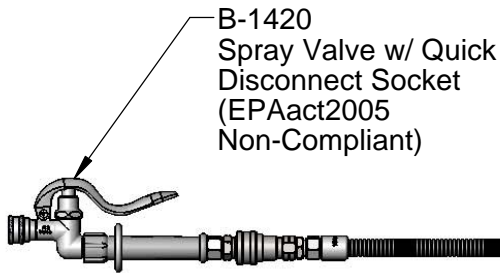
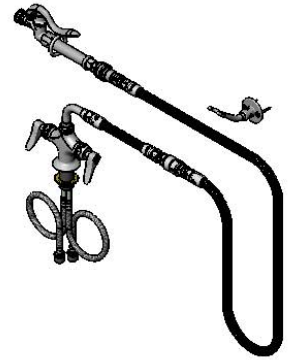
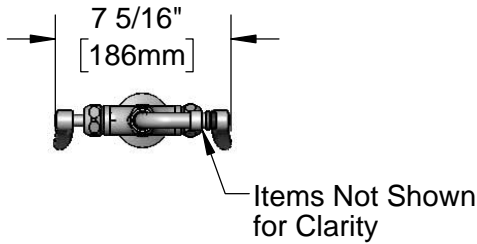
Job Name _____ Date _____

Model Specified _____ Quantity _____

Customer/Wholesaler _____

Contractor _____

Architect/Engineer _____



B-1420
Spray Valve w/ Quick
Disconnect Socket
(EPAAct2005
Non-Compliant)



B-0166
Hanger Hook

Items Not Shown
for Clarity

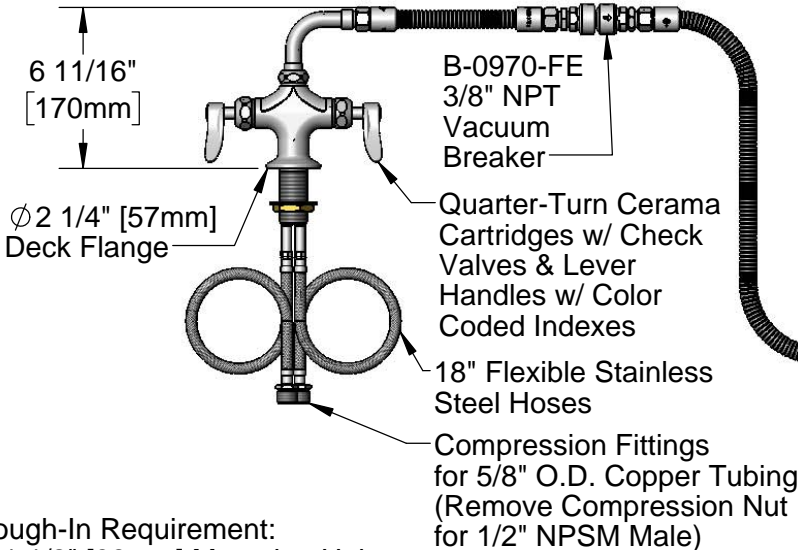
90° Swivel
Adapter Arm

Swivel Joint

Mounting Surface

1 3/8"
[35mm]
Maximum
Thickness

72" Flexible Stainless Steel
Hose w/ Vacuum Breaker &
Quick Disconnect



Rough-In Requirement:
Ø 1 1/2" [38mm] Mounting Hole

Product Specifications:

Single Hole Deck Mount Mixing Faucet, Quarter-Turn Cerama Cartridges w/ Check Valves, Lever Handles, 72" Vacuum Breaker, Quick Disconnect Flexible Stainless Steel Hose, Quick Disconnect Spray Valve w/ Spray Accessories, Wall Hook & Flexible Stainless Steel Supply Hoses

Product Compliance:

ASME A112.18.1 / CSA B125.1
NSF 61 - Section 9
NSF 372 (Low Lead Content)
EPAAct 2005 (PRSV) B-1421 Only



T&S BRASS AND BRONZE WORKS, INC.

2 Saddleback Cove / P.O. Box 1088
Travelers Rest, SC 29690

Model No.

B-2382

Item No.

Travelers Rest, SC: 800-476-4103 • Simi Valley, CA: 800-423-0150 • Fax: 864-834-3518 • www.tsbrass.com

	ITEM NO.	SALES NO.	DESCRIPTION
	1	B-1420	Spray Valve w/ Quick Disconnect Socket
	2	000907-45	Spray Valve Hold Down Ring
	3	002987-40	Grip Handle
	4	002535-25	3/8" Close Nipple
	5	AW-5B	3/8" NPT Quick Disconnect
	6	053A	Adapter, 3/8" NPT Male
	7	010476-45	#27 Washer
	8	B-0166	Wall Hook
	9	B-0970-FE	3/8" NPT Vacuum Breaker
	10	011429-45	Swivel Sleeves (2)
	11	001074-45	O-Ring
	12	012447-25NS	Quarter-Turn Cerama Cartridge w/ Check Valve, Handle, Blue Index & Screw, LTC
	13	018506-19NS	Blue Button Index, Press-in
	14	001638-45NS	Lever Handle (New Style)
	15	012395-25NS	Quarter-Turn Cerama Cartridge w/ Check Valve, LTC
	16	012534-45	18" Flexible Supply Hose (2)
	17	000965-45	Lock Nut
	18	002290-45	Lock Washer
	19	012394-25NS	Quarter-Turn Cerama Cartridge w/ Check Valve, RTC
	20	012446-25NS	Quarter-Turn Cerama Cartridge w/ Check Valve, Handle, Red Index & Screw, RTC
	21	000925-45	Lab Handle Screw
	22	001193-19NS	Red Button Index, Press-in
	23	009538-45	Swivel Washer
	24	034A	90° Swivel Adapter Arm

Product Specifications:

Single Hole Deck Mount Mixing Faucet, Quarter-Turn Cerama Cartridges w/ Check Valves, Lever Handles, 72" Vacuum Breaker, Quick Disconnect Flexible Stainless Steel Hose, Quick Disconnect Spray Valve w/ Spray Accessories, Wall Hook & Flexible Stainless Steel Supply Hoses

Product Compliance:

ASME A112.18.1 / CSA B125.1
NSF 61 - Section 9
NSF 372 (Low Lead Content)
EPA 2005 (PRSV) B-1421 Only



Pot Filler with Quick Disconnect

Architect/Engineering Specifications:

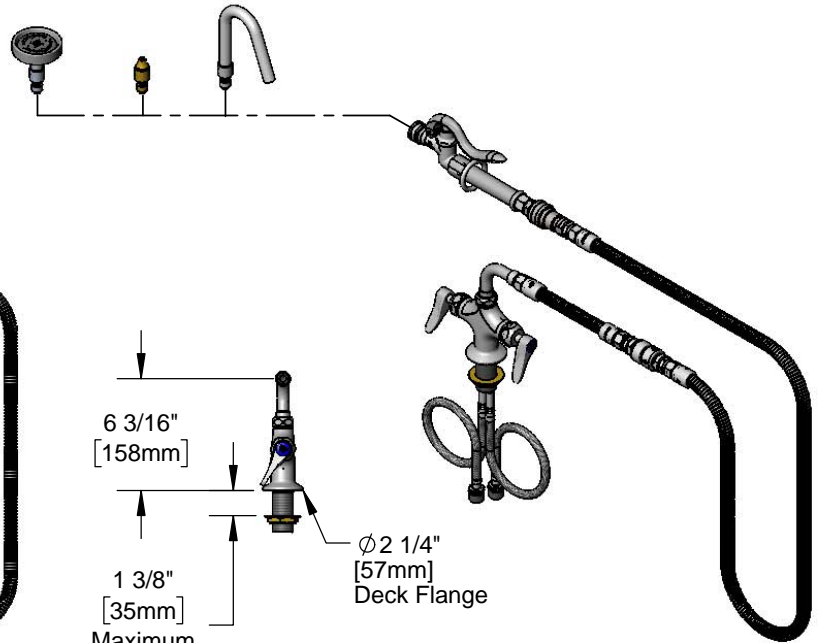
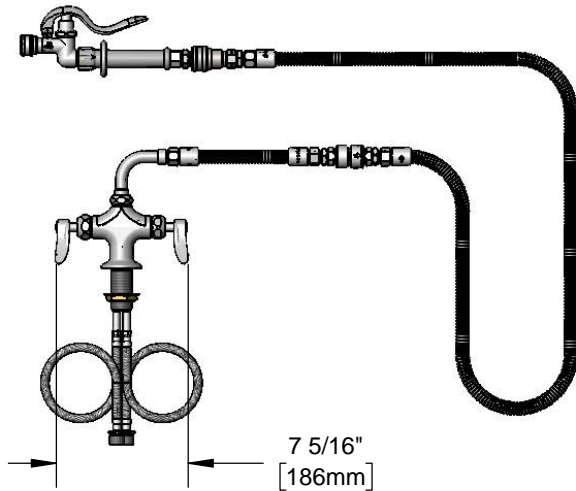
Single hole deck mount mixing faucet with polished chrome plated brass body, 72" flexible stainless steel hose with heat resistant handle, vacuum breaker and quick disconnect, spray valve with quick disconnect spray head, quick disconnect jet spray and quick disconnect hook nozzle, ceramic cartridges with check valves, lever handles, 18" flexible stainless steel supply hoses with 1/2" NPSM / 5/8" O.D compression connections, swivel adapter arm and wall hook. Certified to ASME A112.18.1/CSA B125.1, NSF 61-Section 9 and NSF 372. EPAAct 2005 compliant (B-1421 Spray Head Only)

Job Name _____

Model Specified _____ Quantity _____

Variations Specified _____

Date _____



Features & Benefits:

- Single hole deck mount mixing faucet w/ polished chrome plated brass body
- 72" flexible stainless steel hose w/ heat resistant gray handle, vacuum breaker, quick disconnect and hold down ring
- Spray valve w/ quick disconnect socket
- Quick disconnect spray head, jet spray and hook nozzle spray accessories
- Quarter-turn Cerama cartridges with check valves to prevent cross flow of water
- Lever handles w/ color coded indexes
- 18" flexible stainless steel supply hoses w/ 1/2" NPSM / 5/8" O.D compression connections
- 90° swivel adapter arm
- Material: Polished chrome plated brass body, swivel adapter arm & spray valve body, stainless steel hose and chrome plated metal handles

Product Compliance:

- ASME A112.18.1 / CSA B125.1
- NSF 61 - Section 9
- NSF 372 (Low Lead Content)
- EPAAct 2005 (PRSV) B-1421 Only



Warranty: One Year (Limited)

- Cerama Cartridge: Lifetime (Limited)

Performance Data:

- Pressure: 20 - 125 psi
- Temperature: 40°F - 140°F
- Flow Rate:
 - Spray Head: 1.42 GPM @ 60 psi
 - Fan Jet Spray: 3.25 GPM @ 60 psi
 - Hook Nozzle: 2.71 GPM @ 60 psi

Optional Handles

- 4" Wrist Action
- Lever (Standard)
- 4-Arm

Optional Cartridges With Checks

- Quarter-Turn Cerama w/ Check Valve (Standard)
- Quarter-Turn Eterna w/ Spring Check

