

# T&S BRASS AND BRONZE WORKS, INC.

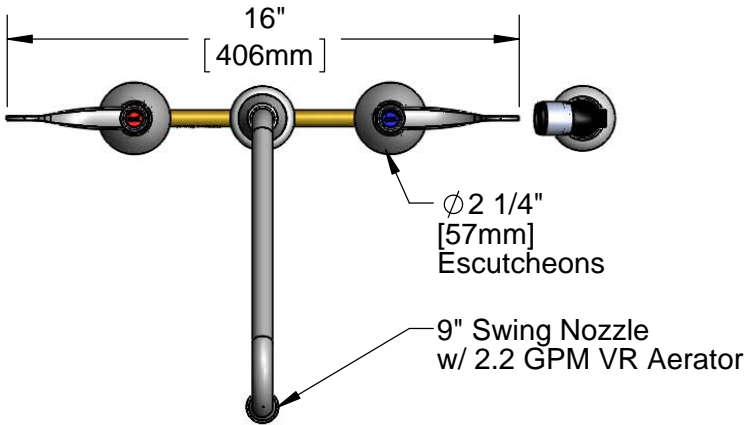
2 Saddleback Cove / P.O. Box 1088  
Travelers Rest, SC 29690

Model No.

**B-2366**

Item No.

Travelers Rest, SC: 800-476-4103 • Simi Valley, CA: 800-423-0150 • Fax: 864-834-3518 • www.tsbrass.com



This Space for Architect/Engineer Approval

Job Name \_\_\_\_\_ Date \_\_\_\_\_

Model Specified \_\_\_\_\_ Quantity \_\_\_\_\_

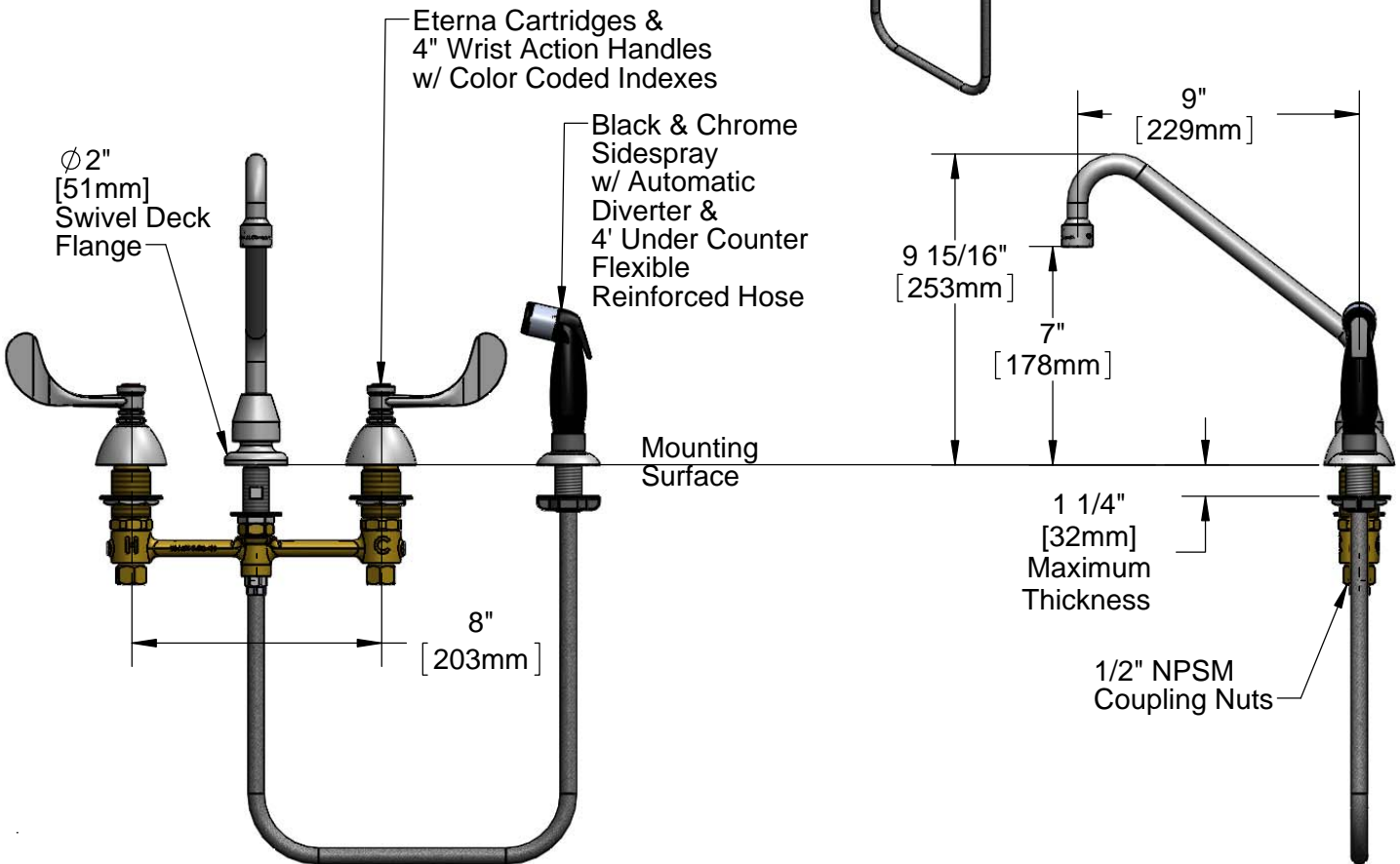
Customer/Wholesaler \_\_\_\_\_

Contractor \_\_\_\_\_

Architect/Engineer \_\_\_\_\_



**ADA Compliant**



### Rough-In Requirement:

Ø 1" [25mm] for Center Shank

Ø 1 1/2" [38mm] for Hot/Cold Side

### Product Specifications:

8" Concealed Widespread EasyInstall Mixing Faucet , 4' Sidespray, 4" Wrist Action Handles, Eterna Cartridges and 9" Swing Nozzle w/ 2.2 GPM VR Aerator

### Product Compliance:

ASME A112.18.1 / CSA B125.1  
NSF 61 - Section 9  
NSF 372 (Low Lead Content)  
ANSI A117.1 (ADA)

Drawn: JBC

Checked: JRM

Approved: JHB

Date: 12/16/16

Scale: 1:4

Sheet: 1 of 2



# T&S BRASS AND BRONZE WORKS, INC.

2 Saddleback Cove / P.O. Box 1088  
Travelers Rest, SC 29690

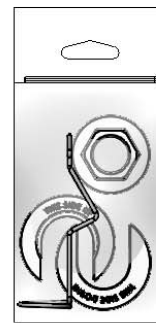
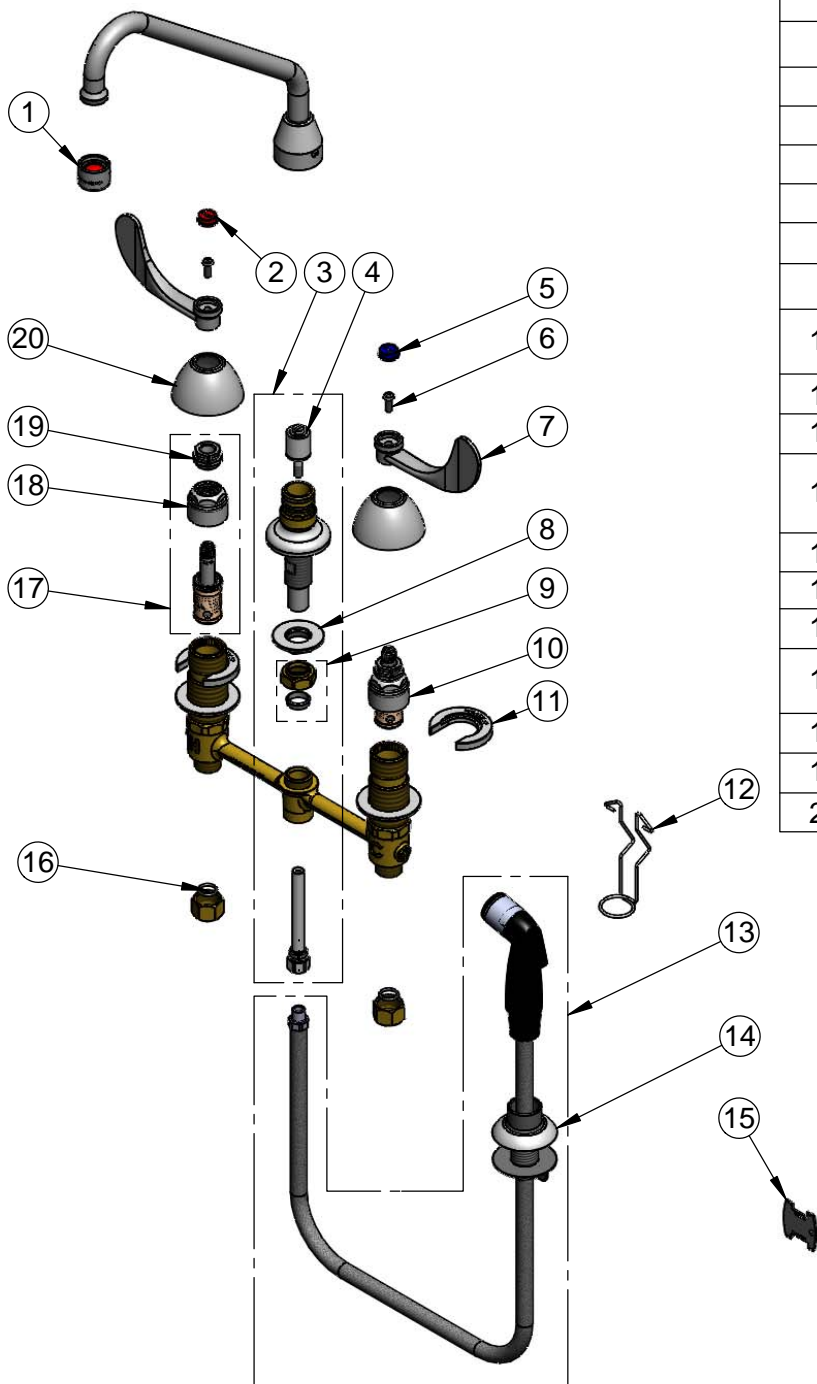
Model No.

**B-2366**

Item No.

Travelers Rest, SC: 800-476-4103 • Simi Valley, CA: 800-423-0150 • Fax: 864-834-3518 • www.tsbrass.com

ITEM NO.	SALES NO.	DESCRIPTION
2	001194-45	Red Index - HW
3	017208-40	Center Body Diverter Asy
4	002338-45	Diverter
5	001686-45	Blue Index - CW
6	000925-45	Lab Handle Screw
7	B-WH4	4" Wrist Action Handle
8	016742-45	Center Flange Nut
9	016745-45	Compression Nut & Fitting
10	016752-40	EasyInstall CWS LTC Eterna (Teflon)
11	016749-45	C-Washer
12	016777-45	CWS Hanger
13	001495-45	4' Side Spray w/ Hose Guide
14	001496-45	Hose Guide
15	015425-45	Vandal Resistant Key
16	000958-20	Coupling Nut
17	016753-40	EasyInstall CWS RTC Eterna (Teflon)
18	016743-25	CWS Bonnet Assembly
19	009002-40	Packing Nut Assembly
20	001257-40	Bell Escutcheon



017245-40  
Installation Repair Kit  
Includes #8, (2)#11, & #12

**Product Specifications:**  
8" Concealed Widespread EasyInstall Mixing Faucet , 4" Wrist Action Handles, Eterna Cartridges and 9" Swing Nozzle w/ 2.2 GPM VR Aerator

**Product Compliance:**  
ASME A112.18.1 / CSA B125.1  
NSF 61 - Section 9  
NSF 372 (Low Lead Content)  
ANSI A117.1 (ADA)