



T&S BRASS AND BRONZE WORKS, INC.

2 Saddleback Cove / P.O. Box 1088
Travelers Rest, SC 29690

Model No.

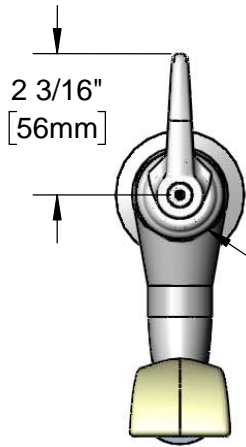
B-2360-AR

Item No.

Travelers Rest, SC: 800-476-4103 • Simi Valley, CA: 800-423-0150 • Fax: 864-834-3518 • www.tsbrass.com



ADA Compliant



Fast Self-Closing
Cartridge w/ Lever
Handle & VR Screw
(VR Key Included)

This Space for Architect/Engineer Approval

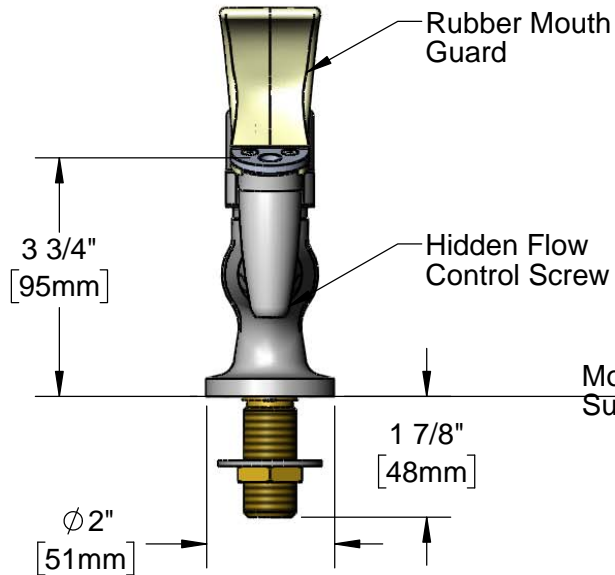
Job Name _____ Date _____

Model Specified _____ Quantity _____

Customer/Wholesaler _____

Contractor _____

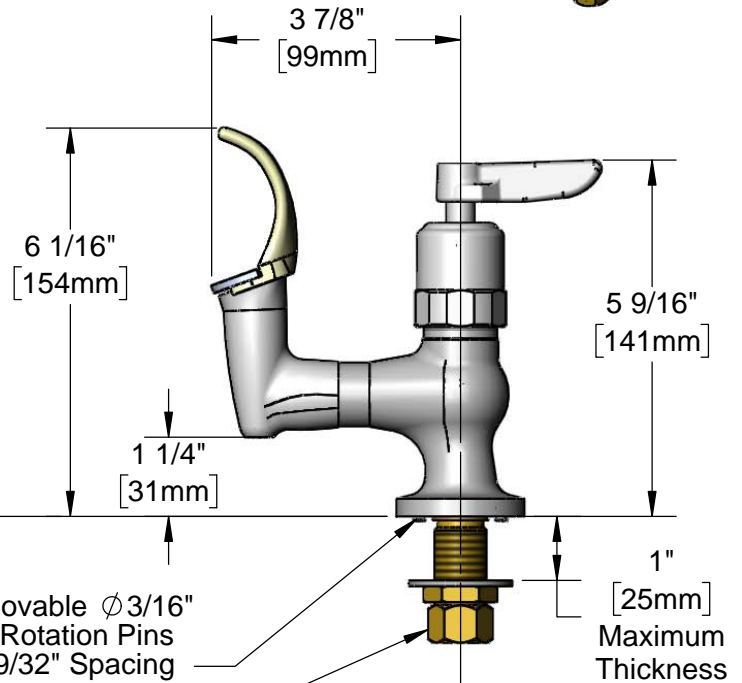
Architect/Engineer _____



Rubber Mouth
Guard

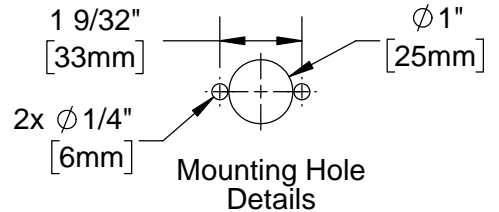
Hidden Flow
Control Screw

Mounting
Surface



Removable $\phi 3/16$ "
Anti-Rotation Pins
@ 1 9/32" Spacing

1/2" NPSM Inlet
w/ Coupling Nut



Product Specifications:
Bubbler w/ Anti-Rotation Pins, Fast Self-Closing Cartridge, Lever
Handle, Rubber Mouth Guard & 1/2" NPSM Inlet w/ Coupling Nut

Product Compliance:
ASME A112.18.1 / CSA B125.1
NSF 61 - Section 9
NSF 372 (Low Lead Content)
ANSI A117.1 (ADA)

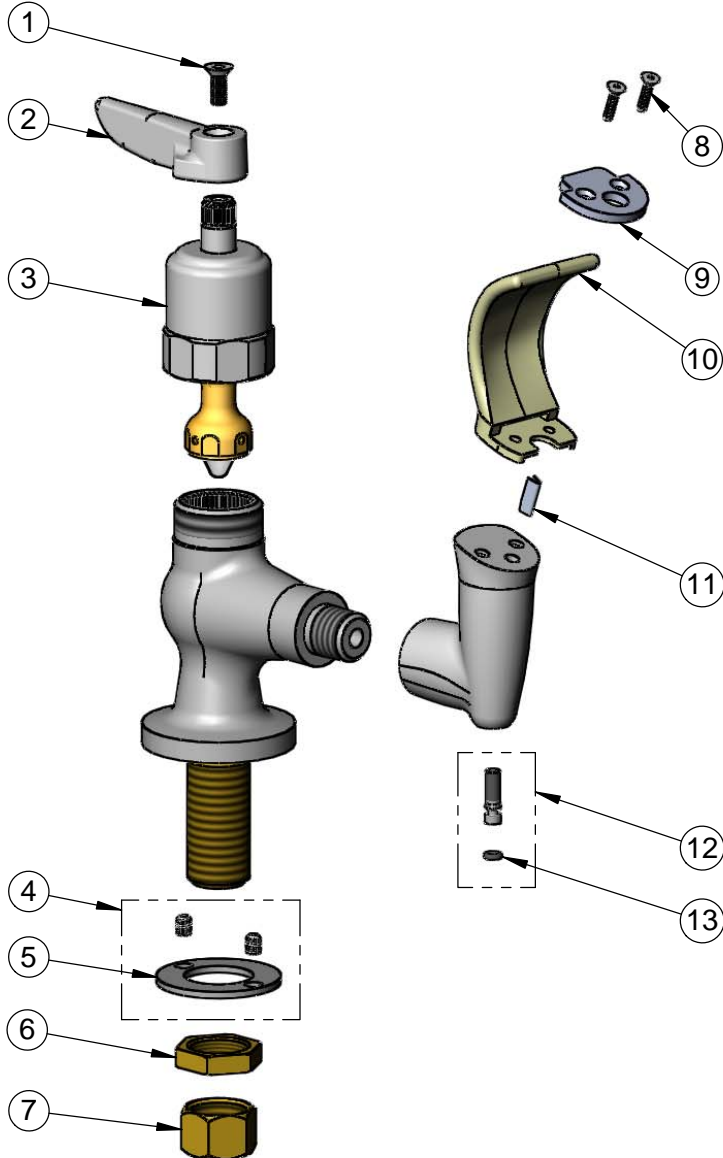


T&S BRASS AND BRONZE WORKS, INC.
 2 Saddleback Cove / P.O. Box 1088
 Travelers Rest, SC 29690

Model No.
B-2360-AR
 Item No.

Travelers Rest, SC: 800-476-4103 • Simi Valley, CA: 800-423-0150 • Fax: 864-834-3518 • www.tsbrass.com

ITEM NO.	SALES NO.	DESCRIPTION
1	B-VRS	Pin-In-Socket Screw w/ Hex Key
2	001638-45	Lever Handle
3	015317-40	Fast Self-Closing Cartridge
4	012698-45	Anti-Rotation Pins w/ Washer
5	012701-20	Washer, Shank - VR Bubbler
6	002954-45	Shank Lock Nut
7	000958-20	Coupling Nut
8	009598-45	Mouth Guard Screw
9	009596-40	Mouth Guard Holder
10	009595-45	Rubber Mouth Guard
11	009594-45	Flow Straightener
12	012697-45	Flow Control Screw
13	015319-45	O-Ring



010587-45
 Vandal Resistant Hex Key
 for Pin-In Socket Screw

Product Specifications:
 Bubbler w/ Anti-Rotation Pins, Fast Self-Closing Cartridge, Lever Handle, Rubber Mouth Guard & 1/2" NPSM Inlet w/ Coupling Nut

Product Compliance:
 ASME A112.18.1 / CSA B125.1
 NSF 61 - Section 9
 NSF 372 (Low Lead Content)
 ANSI A117.1 (ADA)