



T&S BRASS AND BRONZE WORKS, INC.

2 Saddleback Cove / P.O. Box 1088
Travelers Rest, SC 29690

Model No.

B-2360-03

Item No.

Travelers Rest, SC: 800-476-4103 • Simi Valley, CA: 800-423-0150 • Fax: 864-834-3518 • www.tsbrass.com



ADA Compliant

This Space for Architect/Engineer Approval

Job Name _____ Date _____

Model Specified _____ Quantity _____

Customer/Wholesaler _____

Contractor _____

Architect/Engineer _____

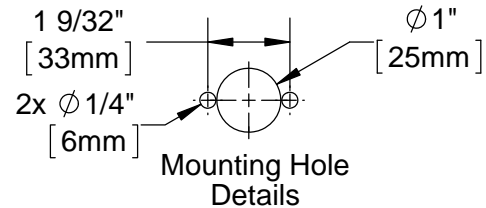
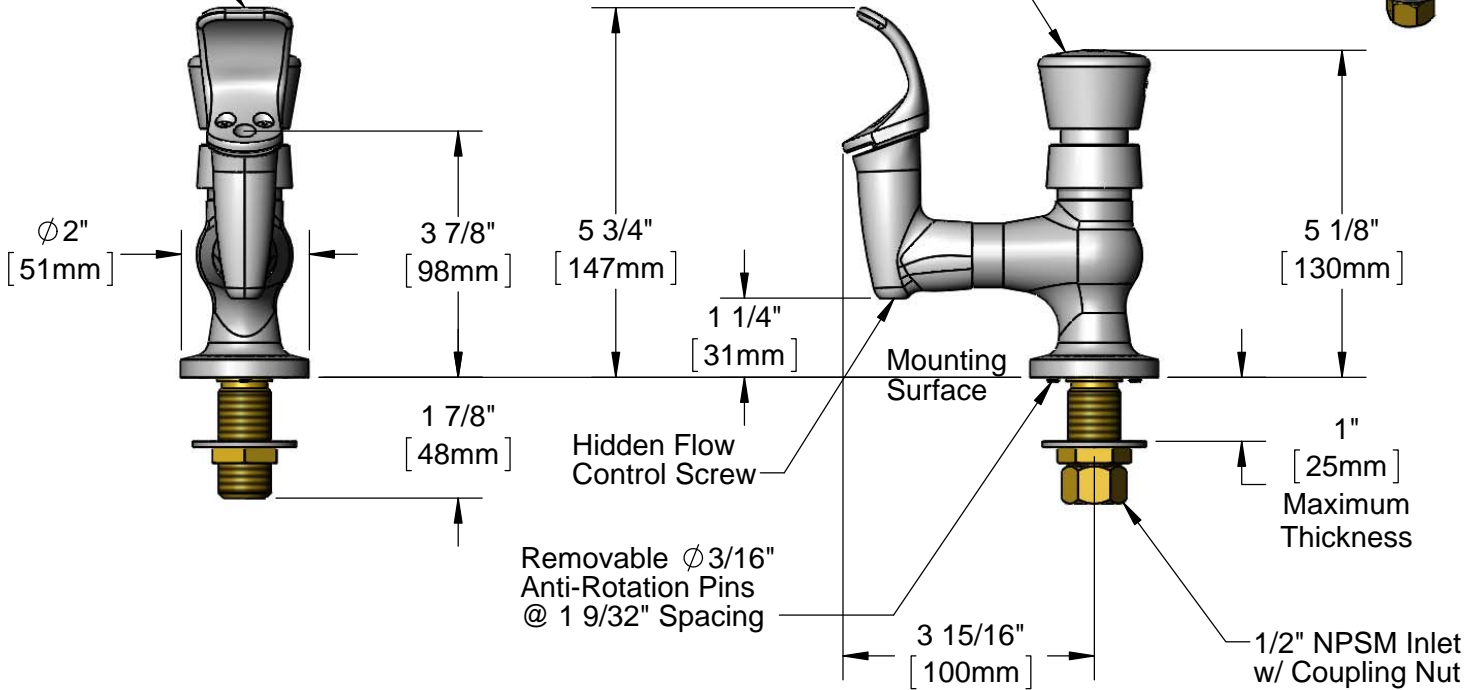


Spanner Bit for Access to Metering Adjustment (Included)
Metering Adjustment Requires 3/32" Hex Key



Forged Brass Mouth Guard

Push Button Metering Cartridge w/ "Cold" Cap



Rough-In Requirement:
1" [25mm] Mounting Hole

Product Specifications:
Bubbler w/ Anti-Rotation Pins, Push Button Metering Cartridge w/ "Cold" Cap, Forged Brass Mouth Guard & 1/2" NPSM Inlet w/ Coupling Nut

Product Compliance:
ASME A112.18.1 / CSA B125.1
NSF 61 - Section 9
NSF 372 (Low Lead Content)
ANSI A117.1 (ADA)



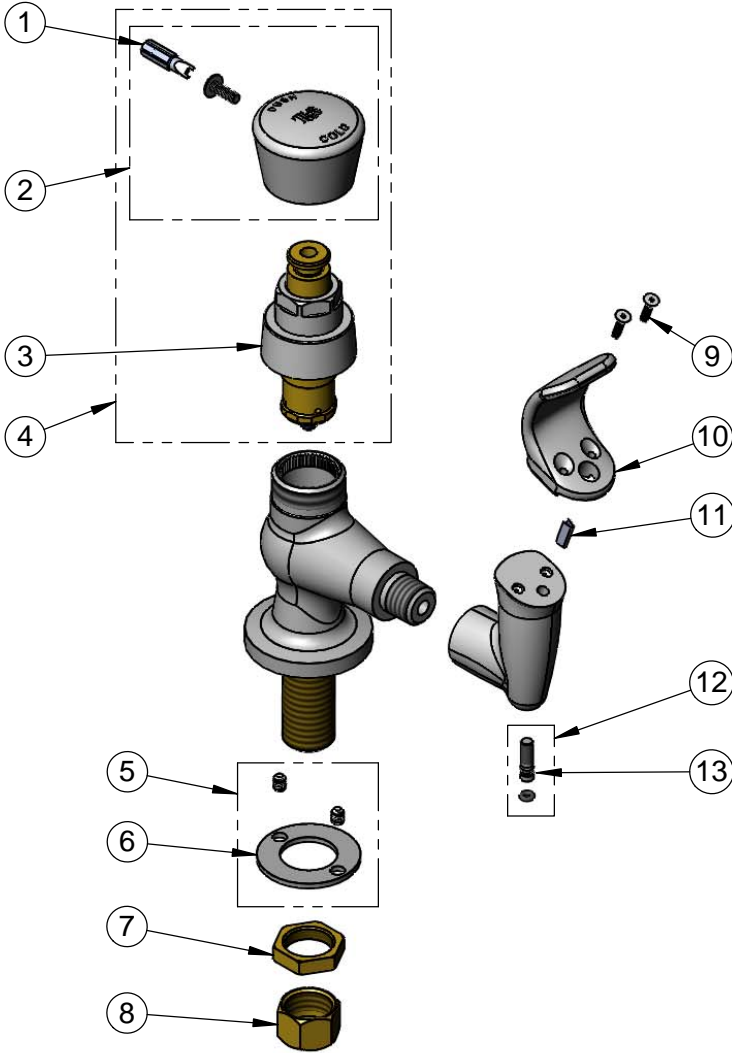
T&S BRASS AND BRONZE WORKS, INC.
 2 Saddleback Cove / P.O. Box 1088
 Travelers Rest, SC 29690

Model No.
B-2360-03

Item No.

Travelers Rest, SC: 800-476-4103 • Simi Valley, CA: 800-423-0150 • Fax: 864-834-3518 • www.tsbrass.com

ITEM NO.	SALES NO.	DESCRIPTION
1	014734-45	#8 Spanner Bit
2	014195-40	Cold Push Button Cap w/ Spanner Bit
3	238A	Push Button Metering Cartridge
4	238AC	Metering Cartridge w/ Cold Push Button Cap
5	012698-45	Anti Rotation Pins w/ Washer
6	012701-20	Washer, Shank - VR Bubbler
7	002954-45	Shank Lock Nut
8	000958-20	Coupling Nut
9	009598-45	Mouth Guard Screw
10	011299-40	Forged Brass Mouth Guard
11	009594-45	Flow Straightener
12	012697-45	Flow Control Screw
13	015319-45	O-Ring



Product Specifications:
 Bubbler w/ Anti-Rotation Pins, Push Button Metering Cartridge w/ "Cold" Cap,
 Forged Brass Mouth Guard & 1/2" NPSM Inlet w/ Coupling Nut

Product Compliance:
 ASME A112.18.1 / CSA B125.1
 NSF 61 - Section 9
 NSF 372 (Low Lead Content)
 ANSI A117.1 (ADA)