



T&S BRASS AND BRONZE WORKS, INC.

2 Saddleback Cove / P.O. Box 1088
Travelers Rest, SC 29690

Model No.

B-2360-02

Item No.

Travelers Rest, SC: 800-476-4103 • Simi Valley, CA: 800-423-0150 • Fax: 864-834-3518 • www.tsbrass.com



ADA Compliant

This Space for Architect/Engineer Approval

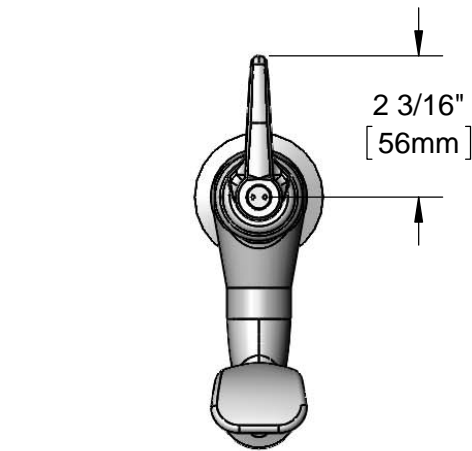
Job Name _____ Date _____

Model Specified _____ Quantity _____

Customer/Wholesaler _____

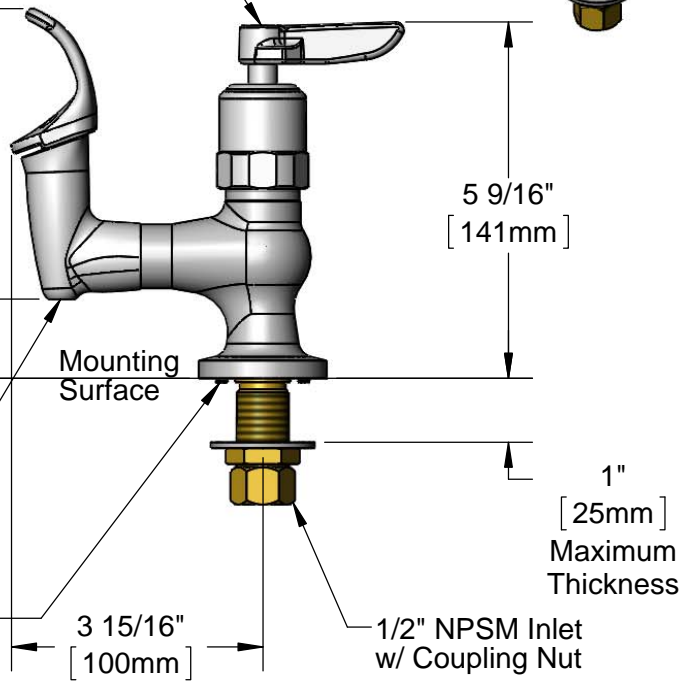
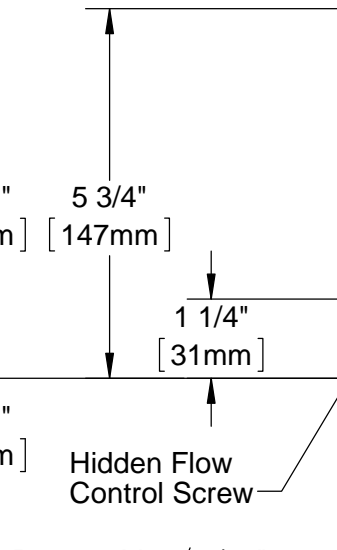
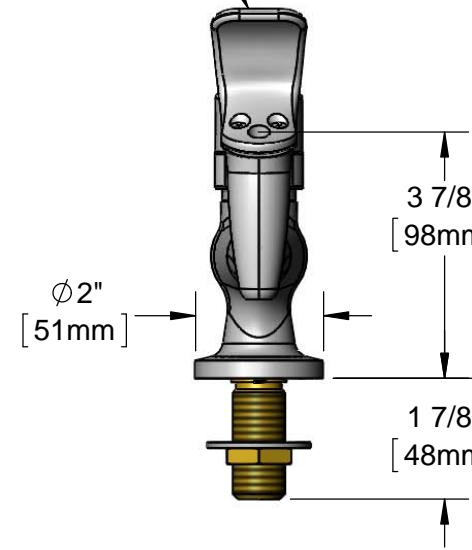
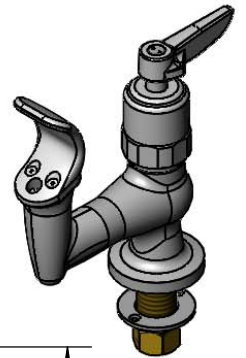
Contractor _____

Architect/Engineer _____



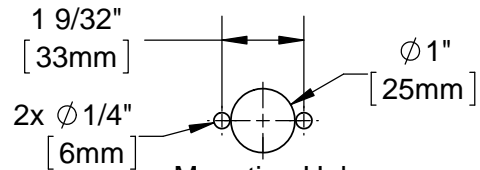
Forged Brass Mouth Guard

Fast Self-Closing Cartridge w/ Lever Handle & Vandal Resistant Screw (Spanner Bit Included)



Hidden Flow Control Screw

Mounting Surface



Rough-In Requirement:
1" [25mm] Mounting Hole

Product Specifications:

Bubbler w/ Anti-Rotation Pins, Fast Self-Closing Cartridge, Lever Handle w/ VR Screw, Forged Brass Mouth Guard, & 1/2" NPSM Male Inlet w/ Coupling Nut

Product Compliance:

ASME A112.18.1 / CSA B125.1
NSF 61 - Section 9
NSF 372 (Low Lead Content)
ANSI A117.1 (ADA)



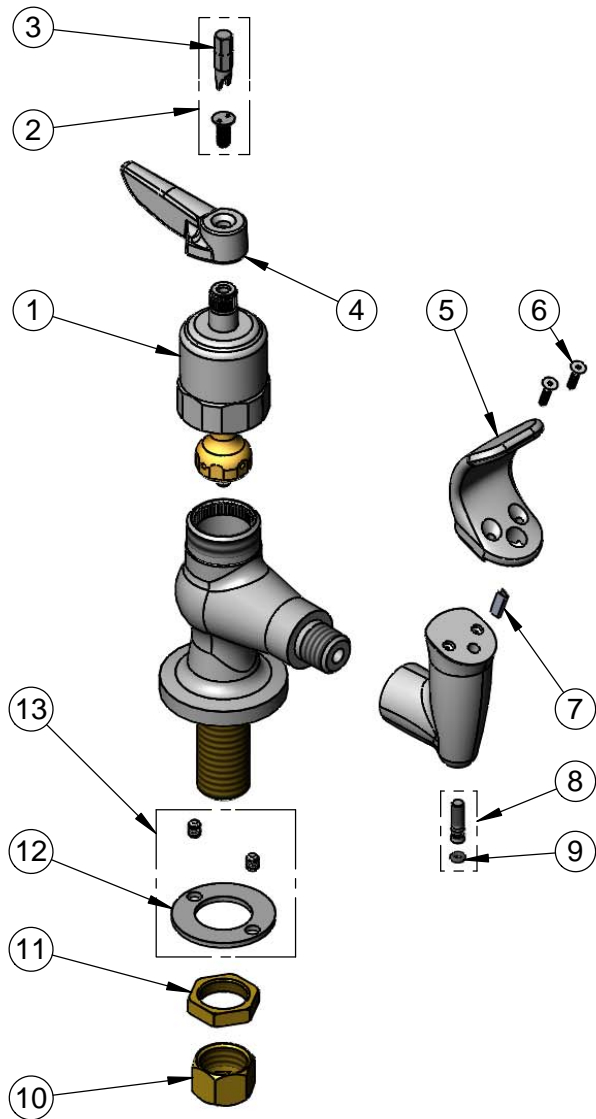
T&S BRASS AND BRONZE WORKS, INC.
 2 Saddleback Cove / P.O. Box 1088
 Travelers Rest, SC 29690

Model No.
B-2360-02

Item No.

Travelers Rest, SC: 800-476-4103 • Simi Valley, CA: 800-423-0150 • Fax: 864-834-3518 • www.tsbrass.com

ITEM NO.	SALES NO.	DESCRIPTION
1	015317-40	Fast Self-Closing Cartridge
2	VRS-1	VR Screw w/ Spanner Bit
3	014075-45	#10 Spanner Bit
4	001638-45	Lever Handle
5	011299-40	Forged Brass Mouth Guard
6	009598-45	Mouth Guard Screw
7	009594-45	Flow Straightener
8	012697-45	Flow Control Screw
9	015319-45	O-Ring
10	000958-20	Coupling Nut
11	002954-45	Shank Lock Nut
12	012701-20	Washer, Shank - VR Bubbler
13	012698-45	Anti-Rotation Pins w/ Washer



Product Specifications:

Bubbler w/ Anti-Rotation Pins, Fast Self-Closing Cartridge, Lever Handle w/ VR Screw, Forged Brass Mouth Guard, & 1/2" NPSM Male Inlet w/ Coupling Nut

Product Compliance:

ASME A112.18.1 / CSA B125.1
 NSF 61 - Section 9
 NSF 372 (Low Lead Content)
 ANSI A117.1 (ADA)