



# T&S BRASS AND BRONZE WORKS, INC.

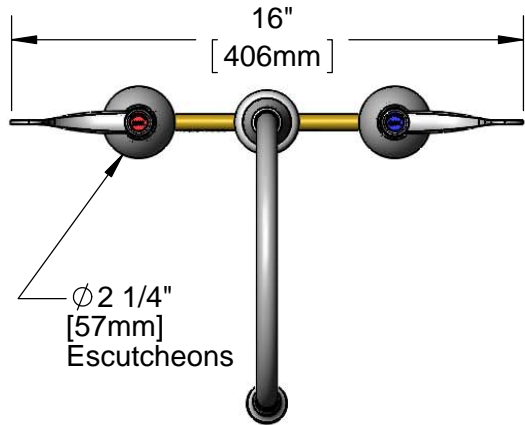
2 Saddleback Cove / P.O. Box 1088  
Travelers Rest, SC 29690

Model No.

**B-2347**

Item No.

Travelers Rest, SC: 800-476-4103 • Simi Valley, CA: 800-423-0150 • Fax: 864-834-3518 • www.tsbrass.com



This Space for Architect/Engineer Approval

Job Name \_\_\_\_\_ Date \_\_\_\_\_

Model Specified \_\_\_\_\_ Quantity \_\_\_\_\_

Customer/Wholesaler \_\_\_\_\_

Contractor \_\_\_\_\_

Architect/Engineer \_\_\_\_\_

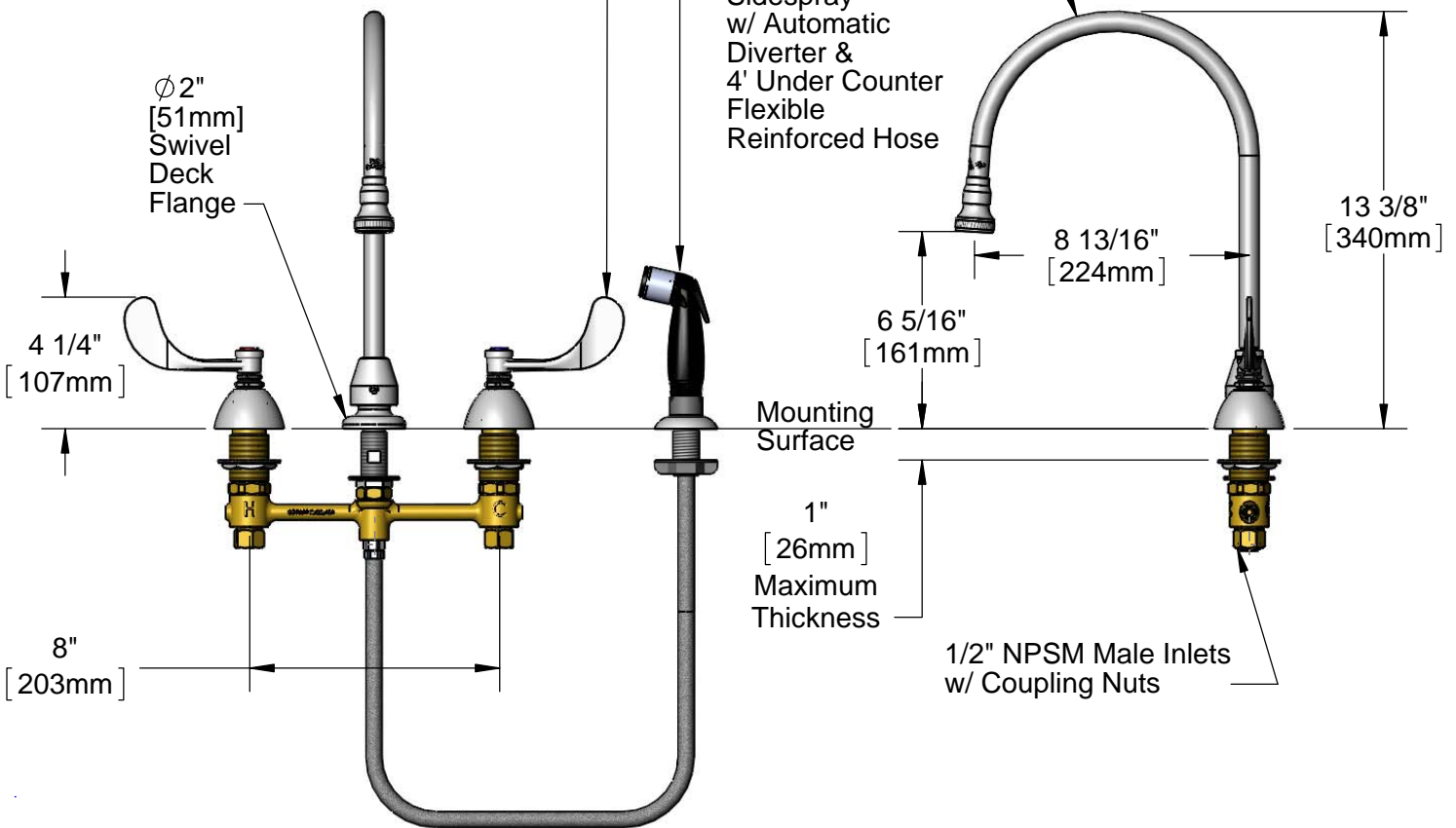


**ADA Compliant**

Swivel Gooseneck w/  
B-0103  
Rosespray Outlet

Eterna Cartridges &  
4" Wrist Action Handles  
w/ Color Coded Indexes

Black & Chrome  
Sidespray  
w/ Automatic  
Diverter &  
4' Under Counter  
Flexible  
Reinforced Hose



### Rough-In Requirement:

Ø 1" [25mm] for Center Shank

Ø 1 1/2" [38mm] for Hot/Cold Side

### Product Specifications:

8" Deck Mount EasyInstall Mixing Faucet, 4' Sidespray, Eterna Cartridges, 4" Wrist Action Handles, Gooseneck w/ Rosespray Outlet & 1/2" NPSM Male Inlets w/ Coupling Nuts

### Product Compliance:

ASME A112.18.1 / CSA B125.1  
NSF 61 - Section 9  
NSF 372 (Low Lead Content)  
ANSI A117.1 (ADA)

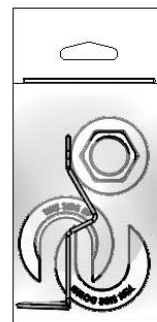
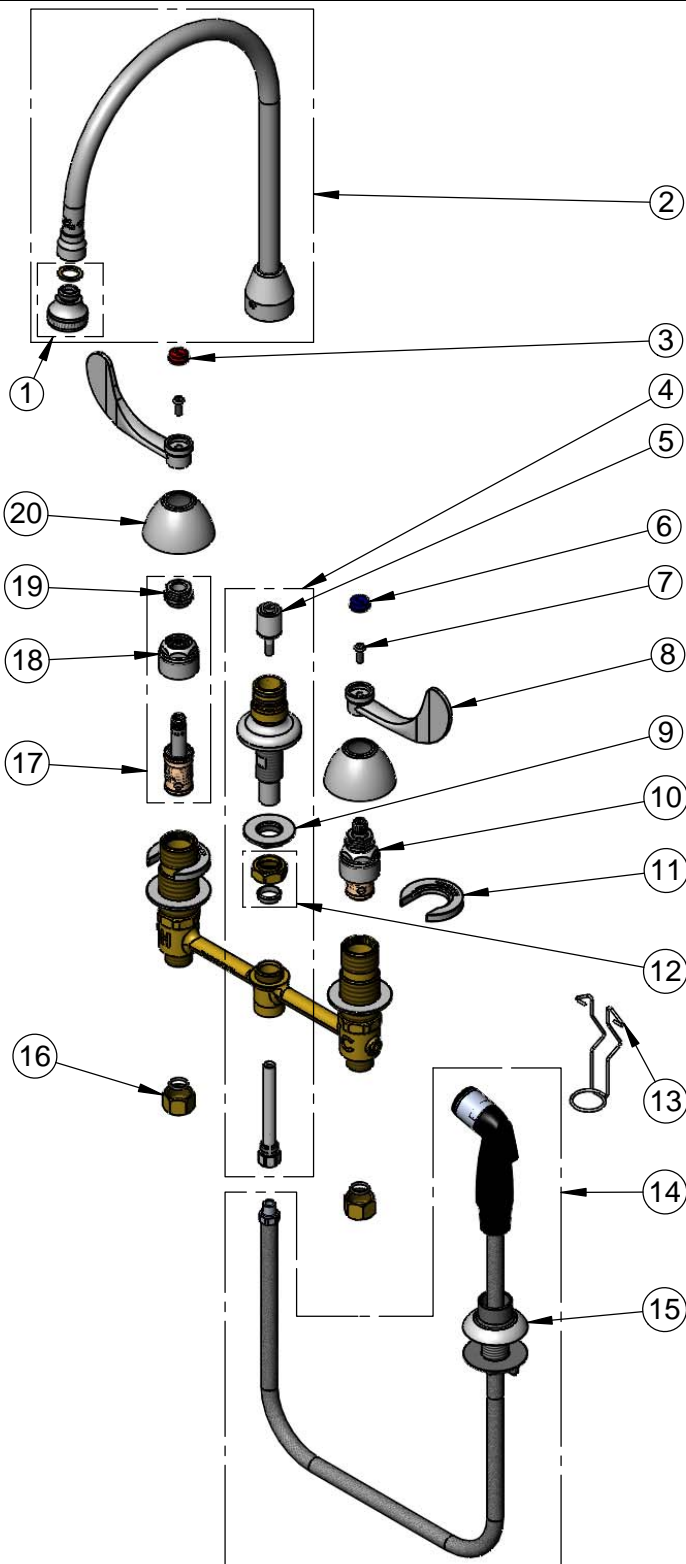


**T&S BRASS AND BRONZE WORKS, INC.**  
 2 Saddleback Cove / P.O. Box 1088  
 Travelers Rest, SC 29690

Model No.  
**B-2347**  
 Item No.

Travelers Rest, SC: 800-476-4103 • Simi Valley, CA: 800-423-0150 • Fax: 864-834-3518 • www.tsbrass.com

ITEM NO.	SALES NO.	DESCRIPTION
1	B-0103	Rosespray Outlet
2	009436-40	Gooseneck w/ Rosespray Outlet
3	001194-45	Red Index - HW
4	017208-40	Center Body Diverter
5	002338-45	Diverter
6	001686-45	Blue Index - CW
7	000925-45	Lab Handle Screw
8	B-WH4	4" Wrist Action Handle
9	016742-45	Center Flange Nut
10	016752-40	EasyInstall CWS LTC Eterna (Teflon)
11	016749-45	C-Washer
12	016745-45	Compression Nut & Fitting
13	016777-45	CWS Hanger
14	001495-45	4' Side Spray w/ Hose Guide
15	001496-45	Hose Guide
16	000958-20	Coupling Nut
17	016753-40	EasyInstall CWS RTC Eterna (Teflon)
18	016743-25	CWS Bonnet
19	009002-25	Packing
20	001257-40	Bell Escutcheon



017245-40  
 Installation Repair Kit  
 Includes #9, (2)#11, & #13

**Product Specifications:**  
 8" Deck Mount EasyInstall Mixing Faucet, 4' Sidespray, Eterna Cartridges, 4" Wrist Action Handles, Gooseneck w/ Rosespray Outlet & 1/2" NPSM Male Inlets w/ Coupling Nuts

**Product Compliance:**  
 ASME A112.18.1 / CSA B125.1  
 NSF 61 - Section 9  
 NSF 372 (Low Lead Content)  
 ANSI A117.1 (ADA)