



# T&S BRASS AND BRONZE WORKS, INC.

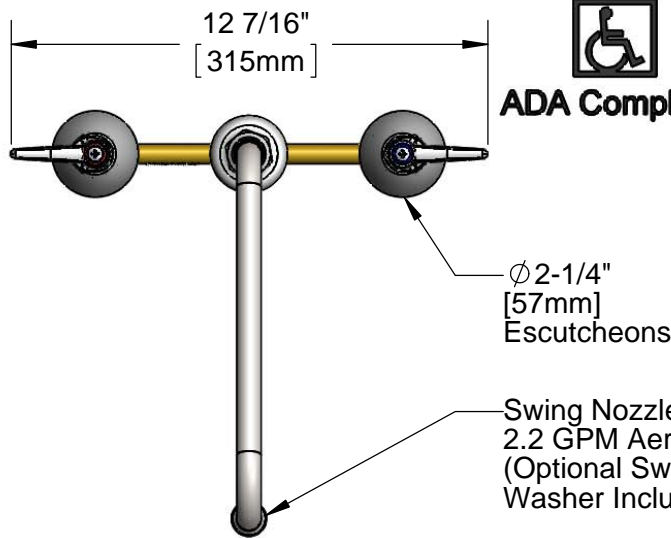
2 Saddleback Cove / P.O. Box 1088  
Travelers Rest, SC 29690

Model No.

**B-2347-09**

Item No.

Travelers Rest, SC: 800-476-4103 • Simi Valley, CA: 800-423-0150 • Fax: 864-834-3518 • www.tsbrass.com



This Space for Architect/Engineer Approval

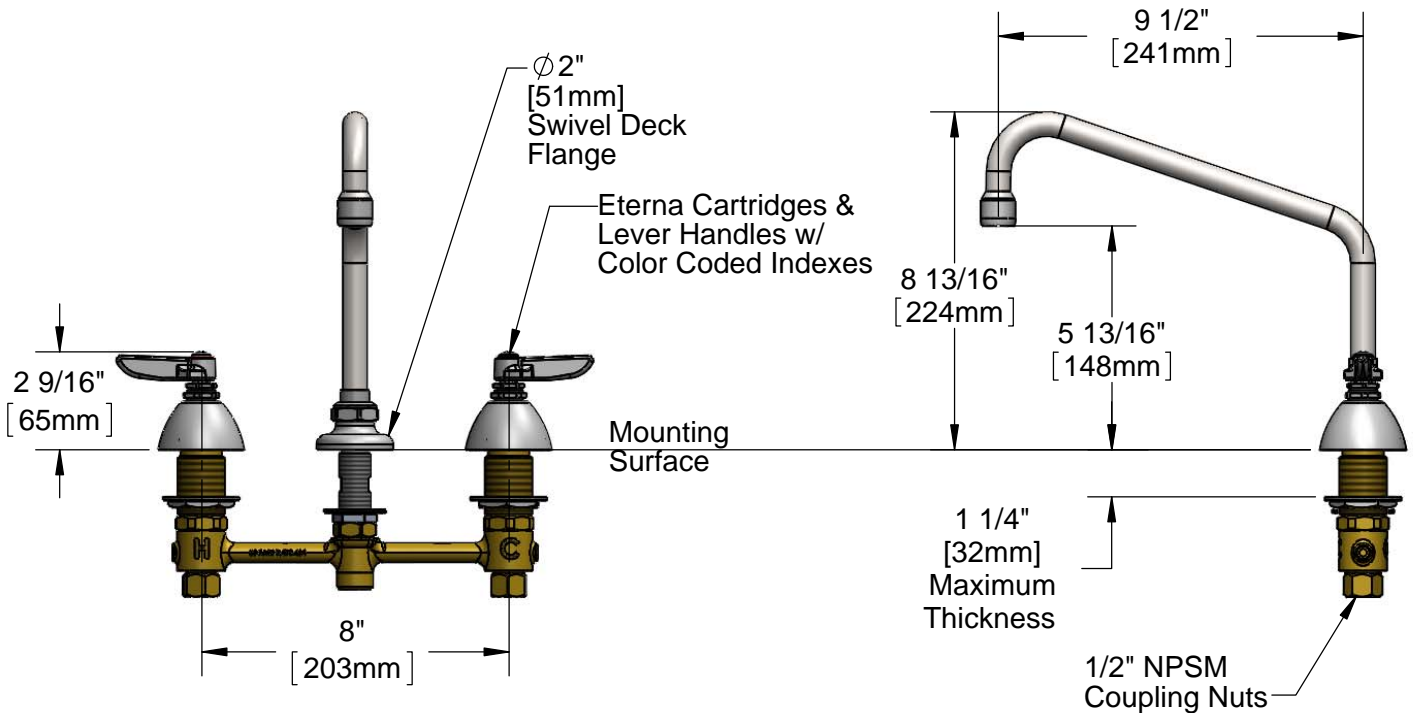
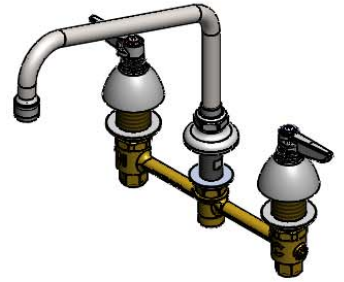
Job Name \_\_\_\_\_ Date \_\_\_\_\_

Model Specified \_\_\_\_\_ Quantity \_\_\_\_\_

Customer/Wholesaler \_\_\_\_\_

Contractor \_\_\_\_\_

Architect/Engineer \_\_\_\_\_



**Rough-In Requirement:**  
 Ø 1" [25mm] for Center Shank  
 Ø 1-1/2" [38mm] for Hot/Cold Side

**Product Specifications:**  
 EasyInstall Concealed Deck Mount Mixing Faucet, Lever Handles, Eterna Cartridges, 8" Inlet Centers & Swing Nozzle w/ 2.2 GPM Aerator

**Product Compliance:**  
 ASME A112.18.1 / CSA B125.1  
 NSF 61 - Section 9  
 NSF 372 (Low Lead Content)  
 ANSI A117.1 (ADA)

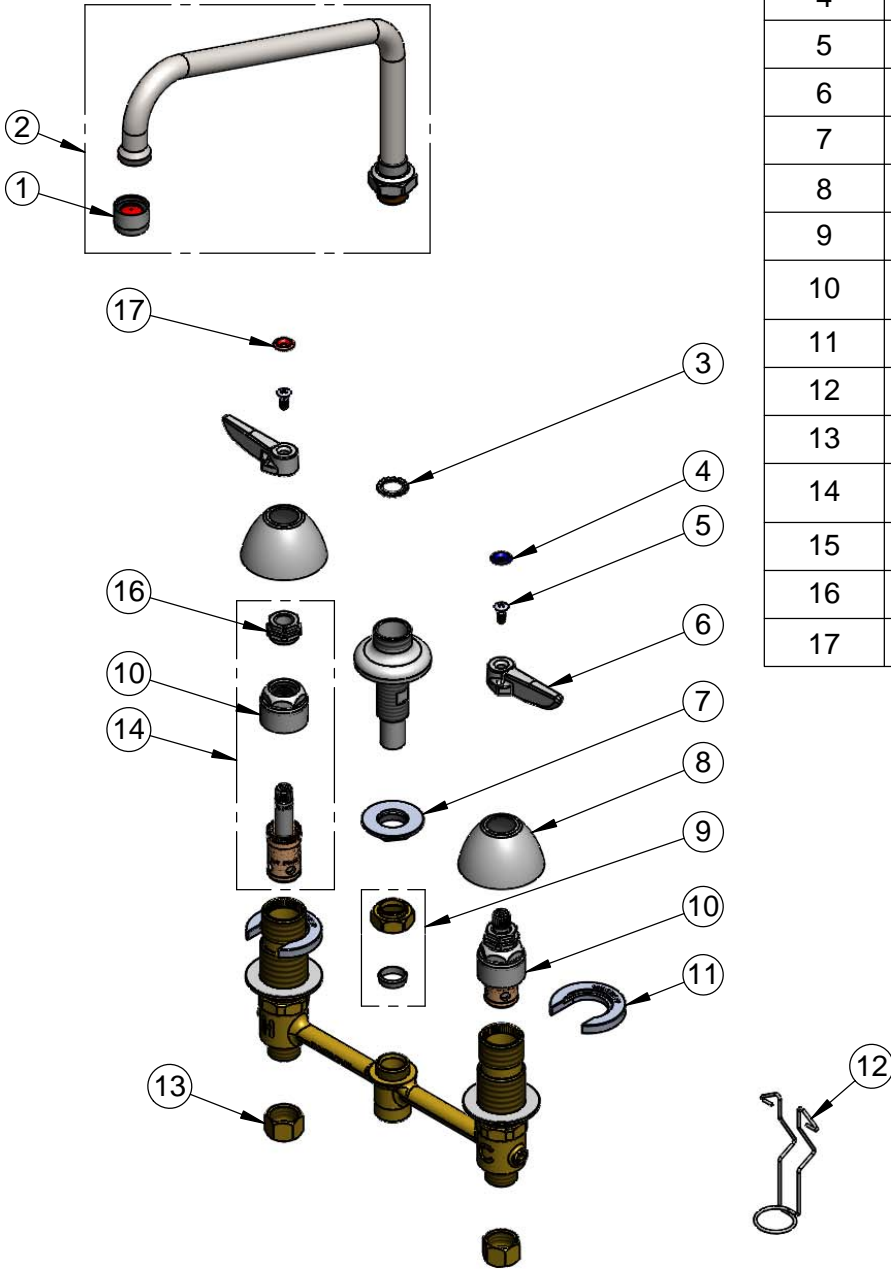


**T&S BRASS AND BRONZE WORKS, INC.**  
 2 Saddleback Cove / P.O. Box 1088  
 Travelers Rest, SC 29690

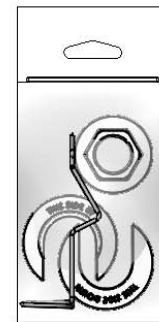
Model No.  
**B-2347-09**

Item No.

Travelers Rest, SC: 800-476-4103 • Simi Valley, CA: 800-423-0150 • Fax: 864-834-3518 • www.tsbrass.com



ITEM NO.	SALES NO.	DESCRIPTION
1	B-0199-01	2.2 GPM Aerator, 55/64"-27 UN Female
2	015499-40	B-2347-09 Swing Nozzle
3	014200-45	Star Washer, Anti-Rotation
4	001660-45	Blue Index-CW
5	000922-45	Lever Handle Screw
6	001638-45	Lever Handle
7	016742-45	Center Flange Nut
8	001257-40	Bell Escutcheon
9	016745-45	Compression Nut & Fitting
10	016752-40	EasyInstall CWS LTC Eterna (Teflon)
11	016749-45	Sidebody C-Washer
12	016777-45	CWS Hanger
13	000958-20	Coupling Nut
14	016753-40	EasyInstall CWS RTC Eterna (Teflon)
15	016743-25	CWS Bonnet Assembly
16	009002-25	Packing Assembly
17	001661-45	Red Index-HW



017245-40  
 Installation Repair Kit  
 Includes #7, (2)#11, & #12

Product Specifications:  
 EasyInstall Concealed Deck Mount Mixing Faucet, Lever Handles, Eterna Cartridges, 8" Inlet Centers & Swing Nozzle w/ 2.2 GPM Aerator

Product Compliance:  
 ASME A112.18.1 / CSA B125.1  
 NSF 61 - Section 9  
 NSF 372 (Low Lead Content)  
 ANSI A117.1 (ADA)