



# T&S BRASS AND BRONZE WORKS, INC.

2 Saddleback Cove / P.O. Box 1088  
Travelers Rest, SC 29690

Model No.

**B-2347-08**

Item No.

Travelers Rest, SC: 800-476-4103 • Simi Valley, CA: 800-423-0150 • Fax: 864-834-3518 • www.tsbrass.com

This Space for Architect/Engineer Approval

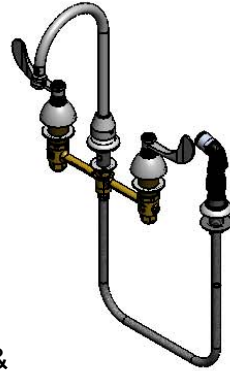
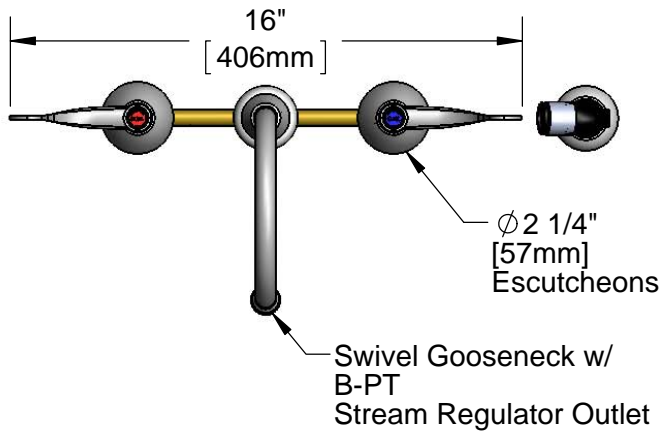
Job Name \_\_\_\_\_ Date \_\_\_\_\_

Model Specified \_\_\_\_\_ Quantity \_\_\_\_\_

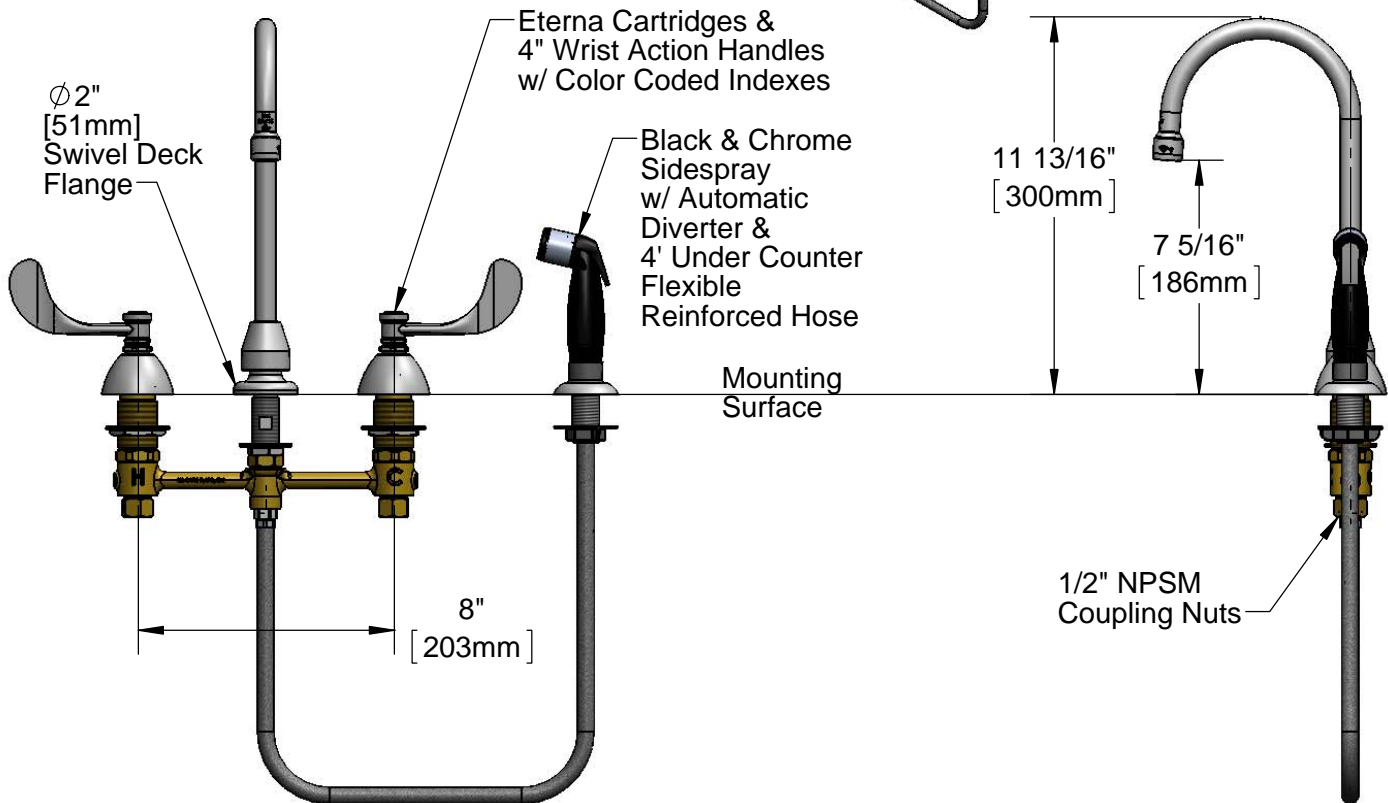
Customer/Wholesaler \_\_\_\_\_

Contractor \_\_\_\_\_

Architect/Engineer \_\_\_\_\_



**ADA Compliant**



**Rough-In Requirement:**  
Ø 1" [25mm] for Center Shank  
Ø 1 1/2" [38mm] for Hot/Cold Side

**Product Specifications:**  
8" Deck mount EasyInstall Mixing Faucet, 4' Sidespray, 4" Wrist Action Handles, Eterna Cartridges & Swivel Gooseneck w/ Stream Regulator Outlet

**Product Compliance:**  
ASME A112.18.1 / CSA B125.1  
NSF 61 - Section 9  
NSF 372 (Low Lead Content)  
ANSI A117.1 (ADA)



# T&S BRASS AND BRONZE WORKS, INC.

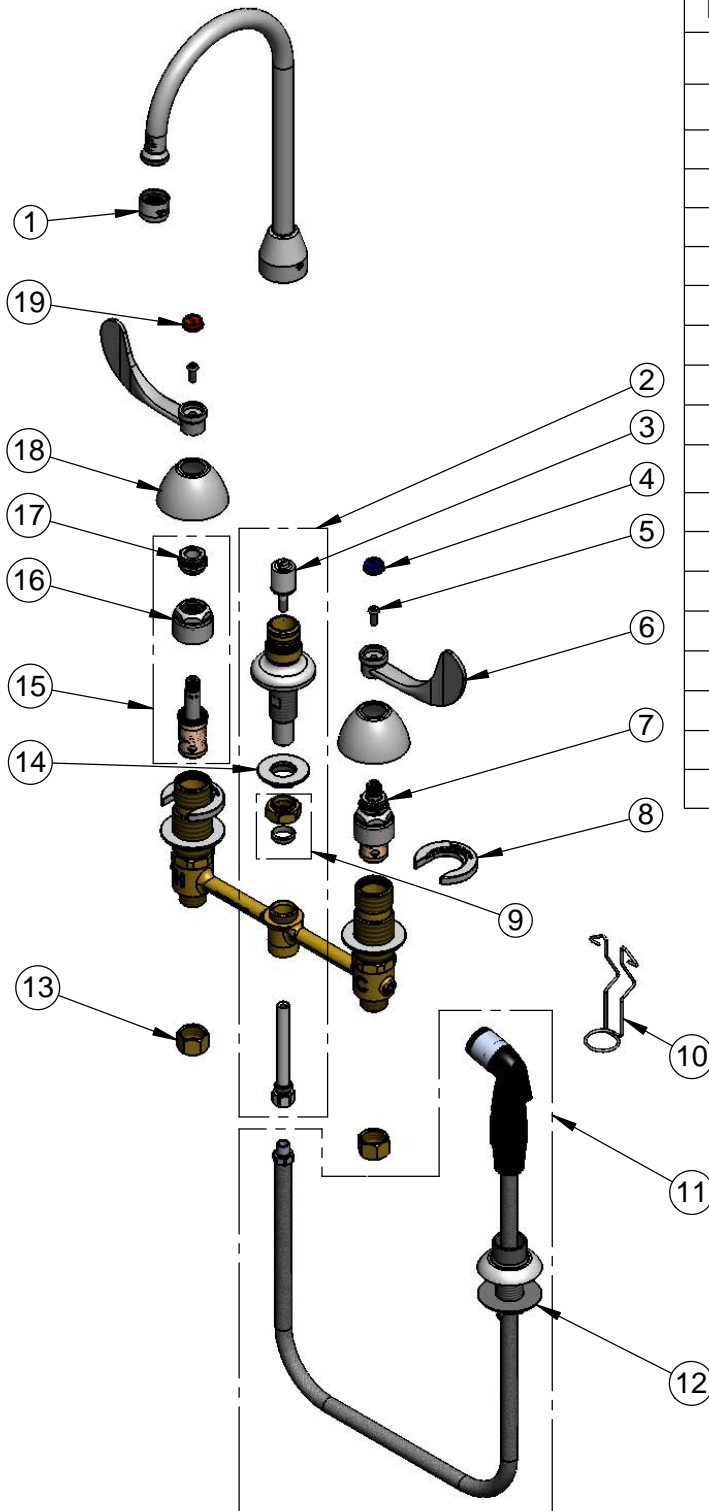
2 Saddleback Cove / P.O. Box 1088  
Travelers Rest, SC 29690

Model No.

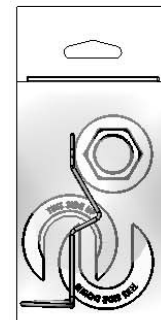
**B-2347-08**

Item No.

Travelers Rest, SC: 800-476-4103 • Simi Valley, CA: 800-423-0150 • Fax: 864-834-3518 • www.tsbrass.com



ITEM NO.	SALES NO.	DESCRIPTION
1	B-PT	Stream Regulator Outlet
2	017208-40	Center Body Diverter Asy
3	002338-45	Diverter
4	001686-45	Blue Index - CW
5	000925-45	Lab Handle Screw
6	B-WH4	4" Wrist Action Handle
7	016752-40	EasyInstall CWS LTC Eterna (Teflon)
8	016749-45	C-Washer
9	016745-45	Compression Nut & Fitting
10	016777-45	CWS Hanger
14	001495-45	4' Side Spray w/ Hose Guide
15	001496-45	Hose Guide
13	000958-20	Coupling Nut
14	016742-45	Center Flange Nut
15	016753-40	EasyInstall CWS RTC Eterna (Teflon)
16	016743-25	CWS Bonnet Assembly
17	009002-25	Packing Assembly
18	001257-40	Bell Escutcheon
19	001194-45	Red Index - HW



017245-40  
Installation Repair Kit  
Includes #14, (2) #8, & #10

**Product Specifications:**  
8" Deck mount EasyInstall Mixing Faucet, 4' Sidespray,  
4" Wrist Action Handles, Eterna Cartridges & Swivel Gooseneck  
w/ Stream Regulator Outlet

**Product Compliance:**  
ASME A112.18.1 / CSA B125.1  
NSF 61 - Section 9  
NSF 372 (Low Lead Content)  
ANSI A117.1 (ADA)