



T&S BRASS AND BRONZE WORKS, INC.

2 Saddleback Cove / P.O. Box 1088
Travelers Rest, SC 29690

Model No.

B-2347-07

Item No.

Travelers Rest, SC: 800-476-4103 • Simi Valley, CA: 800-423-0150 • Fax: 864-834-3518 • www.tsbrass.com

This Space for Architect/Engineer Approval

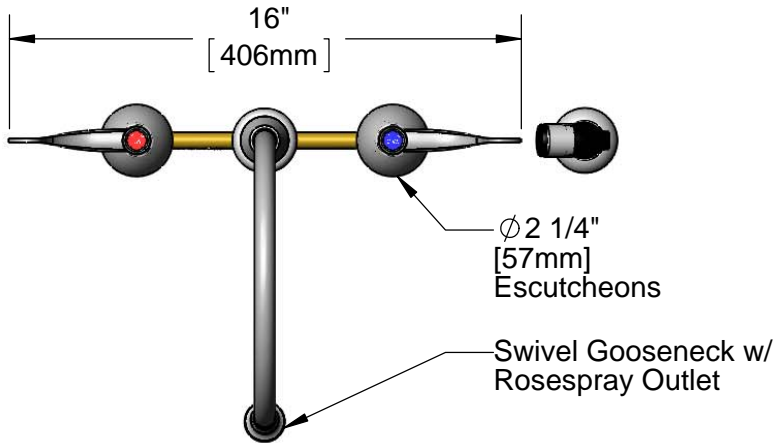
Job Name _____ Date _____

Model Specified _____ Quantity _____

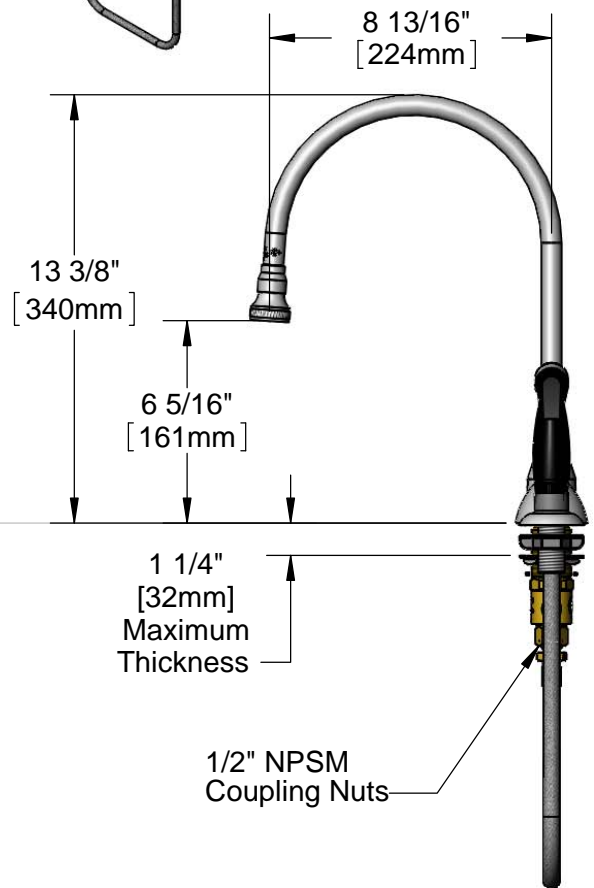
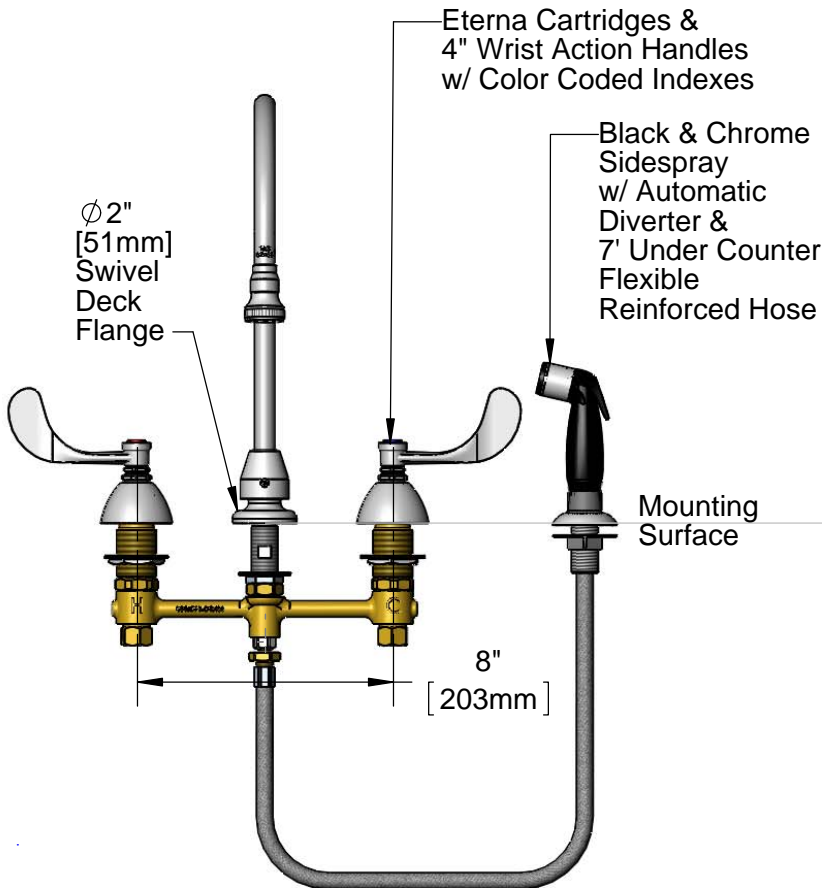
Customer/Wholesaler _____

Contractor _____

Architect/Engineer _____



ADA Compliant



Rough-In Requirement:
ϕ 1" [25mm] for Center Shank
ϕ 1 1/2" [38mm] for Hot/Cold Side

Product Specifications:
8" Deck Mount EasyInstall Mixng Faucet w/ 7' Sidespray, 4" Wrist Action Handles, Eterna Cartridges, Gooseneck w/ Rosespray Outlet and 1/2" NPSM Male Inlets w/ Coupling Nuts

Product Compliance:
ASME A112.18.1 / CSA B125.1
NSF 61 - Section 9
NSF 372 (Low Lead Content)
ANSI A117.1 (ADA)

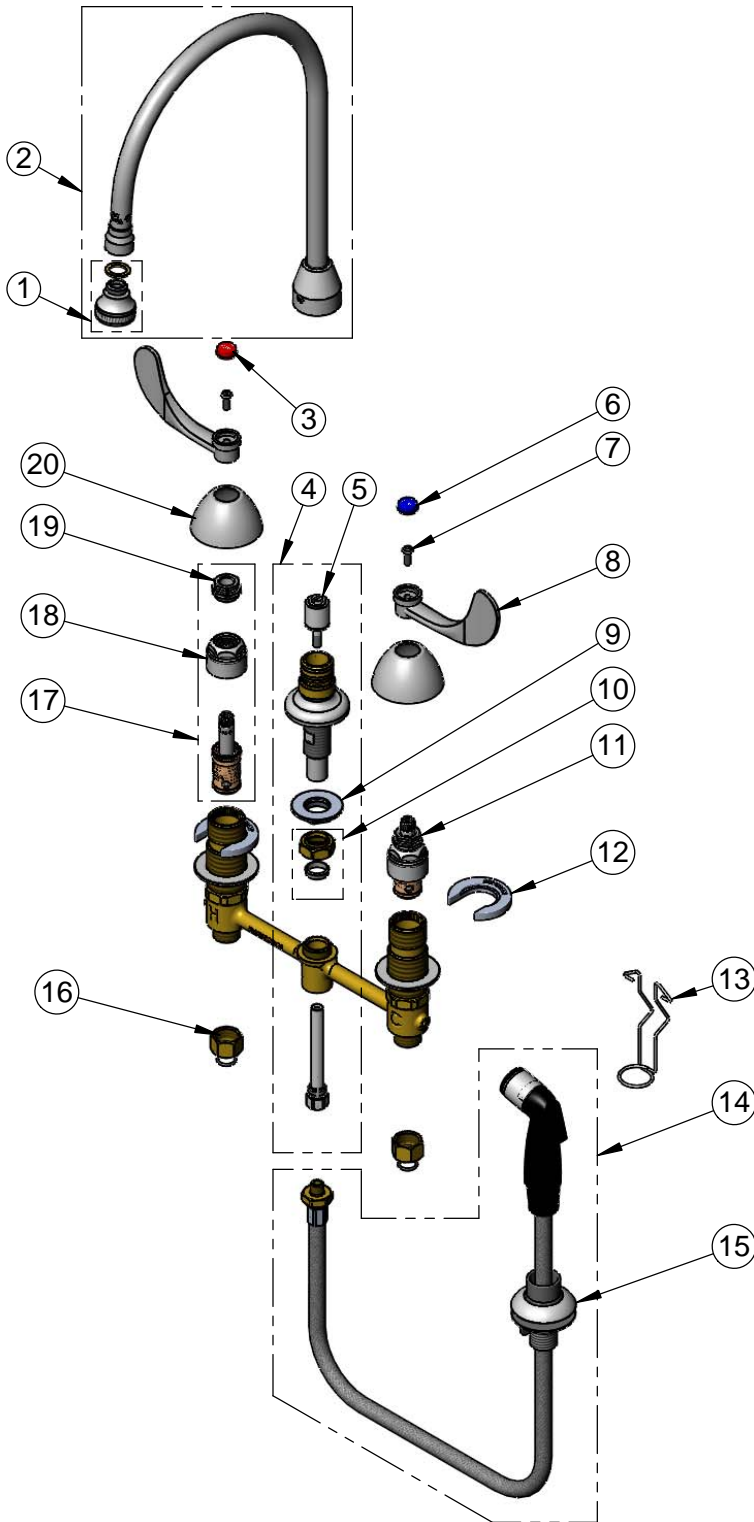


T&S BRASS AND BRONZE WORKS, INC.
 2 Saddleback Cove / P.O. Box 1088
 Travelers Rest, SC 29690

Model No.
B-2347-07

Item No.

Travelers Rest, SC: 800-476-4103 • Simi Valley, CA: 800-423-0150 • Fax: 864-834-3518 • www.tsbrass.com



ITEM NO.	SALES NO.	DESCRIPTION
1	B-0103	Rosespray Outlet
2	009436-40	Assembly, B-2347 Nozzle
3	001194-45	Red Index - HW
4	017208-40	Center Body Diverter Asy
5	002338-45	Diverter
6	001686-45	Blue Index - CW
7	000925-45	Lab Handle Screw
8	B-WH4	4" Wrist Action Handle
9	016742-45	Center Nut Flange
10	016745-45	Compression Nut & Fitting
11	016752-40	EasyInstall CWS LTC Eterna (Teflon)
12	016749-45	C-Washer
13	016777-45	CWS Hanger
14	013659-45	7' Sidespray w/ Hose Guide
15	001496-45	Hose Guide
16	000958-20	Coupling Nut
17	016753-40	EasyInstall CWS RTC Eterna (Teflon)
18	016743-25	CWS Bonnet Assembly
19	009002-25	Packing Assembly
20	001257-40	Bell Escutcheon



017245-40
 Installation Repair Kit
 Includes #9, (2)#12, & #13

Product Specifications:
 8" Deck Mount EasyInstall Mixng Faucet w/ 7' Sidespray, 4" Wrist Action Handles, Eterna Cartridges, Gooseneck w/ Rosespray Outlet and 1/2" NPSM Male Inlets w/ Coupling Nuts

Product Compliance:
 ASME A112.18.1 / CSA B125.1
 NSF 61 - Section 9
 NSF 372 (Low Lead Content)
 ANSI A117.1 (ADA)