



T&S BRASS AND BRONZE WORKS, INC.

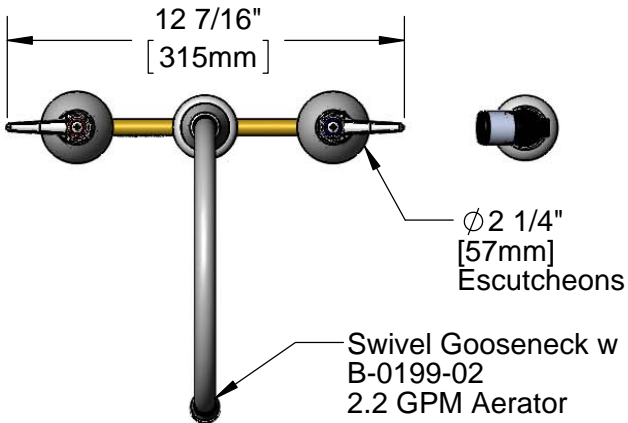
2 Saddleback Cove / P.O. Box 1088
Travelers Rest, SC 29690

Model No.

B-2347-05-LVR

Item No.

Travelers Rest, SC: 800-476-4103 • Simi Valley, CA: 800-423-0150 • Fax: 864-834-3518 • www.tsbrass.com



This Space for Architect/Engineer Approval

Job Name _____ Date _____

Model Specified _____ Quantity _____

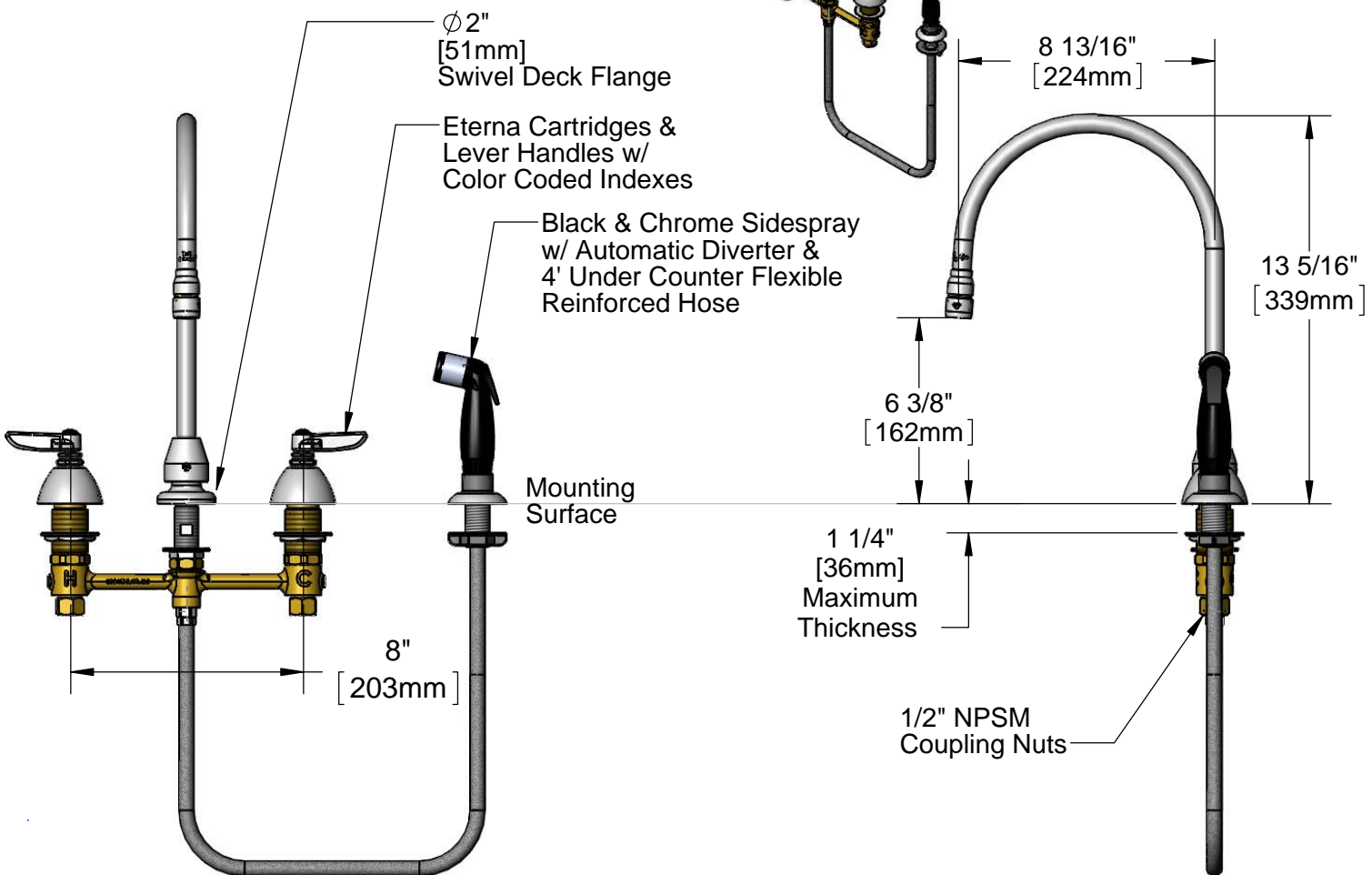
Customer/Wholesaler _____

Contractor _____

Architect/Engineer _____



ADA Compliant



Rough-In Requirement:
 Ø 1" [25mm] for Center Shank
 Ø 1 1/2" [38mm] for Hot/Cold Side

Product Specifications:
 EasyInstall 8" Concealed Widespread Mixing Faucet, 4' Sidespray, Lever Handles, Eterna Cartridges & Gooseneck w/ 2.2 GPM Aerator

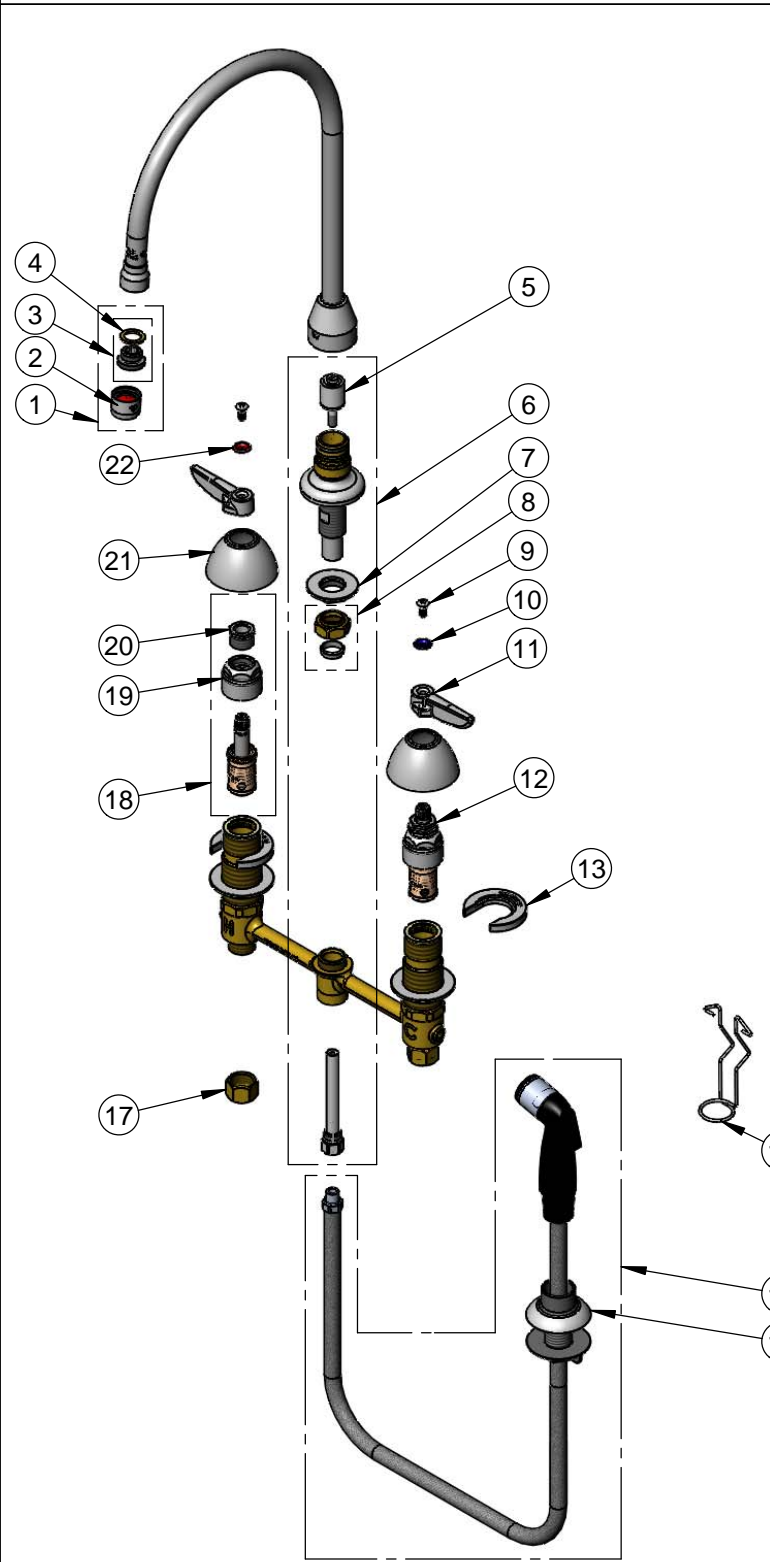
Product Compliance:
 ASME A112.18.1 / CSA B125.1
 NSF 61 - Section 9
 NSF 372 (Low Lead Content)
 ANSI A117.1 (ADA)



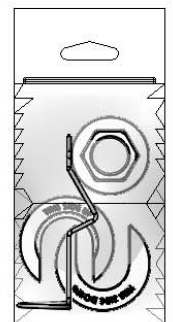
T&S BRASS AND BRONZE WORKS, INC.
 2 Saddleback Cove / P.O. Box 1088
 Travelers Rest, SC 29690

Model No.
B-2347-05-LVR
 Item No.

Travelers Rest, SC: 800-476-4103 • Simi Valley, CA: 800-423-0150 • Fax: 864-834-3518 • www.tsbrass.com



ITEM NO.	SALES NO.	DESCRIPTION
1	B-0199-02	2.2 GPM Male Aerator
2	B-0199-01	2.2 GPM Female Aerator
3	044A	Male Aerator Adapter
4	001043-45	Washer
5	002338-45	Diverter
6	017208-40	Center Body Diverter
7	016742-45	Center Flange Nut
8	016745-45	Compression Nut & Fitting
9	000922-45	Lever Handle Screw
10	001660-45	Blue Index-CW
11	001638-45	Lever Handle
12	016752-40	EasyInstall CWS LTC Eterna (Teflon)
13	016749-45	C-Washer
14	016777-45	CWS Hanger
15	001494-45	4' Side Spray w/ Hose Guide
16	001496-45	Hose Guide
17	000958-20	Coupling Nut
18	016753-40	EasyInstall CWS RTC Eterna (Teflon)
19	016743-25	CWS Bonnet Assembly
20	009002-25	Packing Assembly
21	001257-40	Bell Escutcheon
22	001661-45	Red Index-HW



017245-40
 Installation Repair Kit
 Includes #7, (2)#13, & #14

Product Specifications:
 EasyInstall 8" Concealed Widespread Mixing Faucet, 4' Sidespray, Lever Handles, Eterna Cartridges & Gooseneck w/ 2.2 GPM Aerator

Product Compliance:
 ASME A112.18.1 / CSA B125.1
 NSF 61 - Section 9
 NSF 372 (Low Lead Content)
 ANSI A117.1 (ADA)