



T&S BRASS AND BRONZE WORKS, INC.

2 Saddleback Cove / P.O. Box 1088
Travelers Rest, SC 29690

Model No.

B-2347-04

Item No.

Travelers Rest, SC: 800-476-4103 • Simi Valley, CA: 800-423-0150 • Fax: 864-834-3518 • www.tsbrass.com

This Space for Architect/Engineer Approval

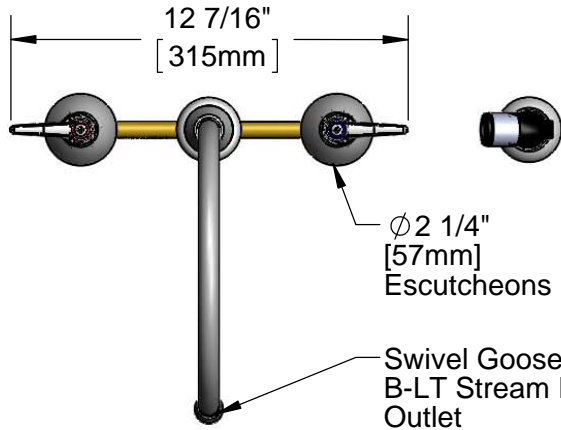
Job Name _____ Date _____

Model Specified _____ Quantity _____

Customer/Wholesaler _____

Contractor _____

Architect/Engineer _____



ADA Compliant



Eterna Cartridges & Lever Handles w/ Color Coded Indexes

Black & Chrome Sidespray w/ Automatic Diverter & 4' Under Counter Flexible Reinforced Hose

Ø 2" [51mm] Swivel Deck Flange

2 9/16" [65mm]

8" [203mm]

Mounting Surface

13 7/16" [341mm]

7" [177mm]

1 1/4" [36mm] Maximum Thickness

1/2" NPSM Coupling Nuts

8 3/4" [223mm]

Rough-In Requirement:
Ø 1" [25mm] for Center Shank
Ø 1 1/2" [38mm] for Hot/Cold Side

Product Specifications:
8" Deck Mount EasyInstall Mixing Faucet w/ 4' Sidespray, Lever Handles, Eterna Cartridges, Gooseneck w/ Stream Regulator Outlet and 1/2" NPSM Male Inlets w/ Coupling Nuts

Product Compliance:
ASME A112.18.1 / CSA B125.1
NSF 61 - Section 9
NSF 372 (Low Lead Content)
ANSI A117.1 (ADA)



T&S BRASS AND BRONZE WORKS, INC.

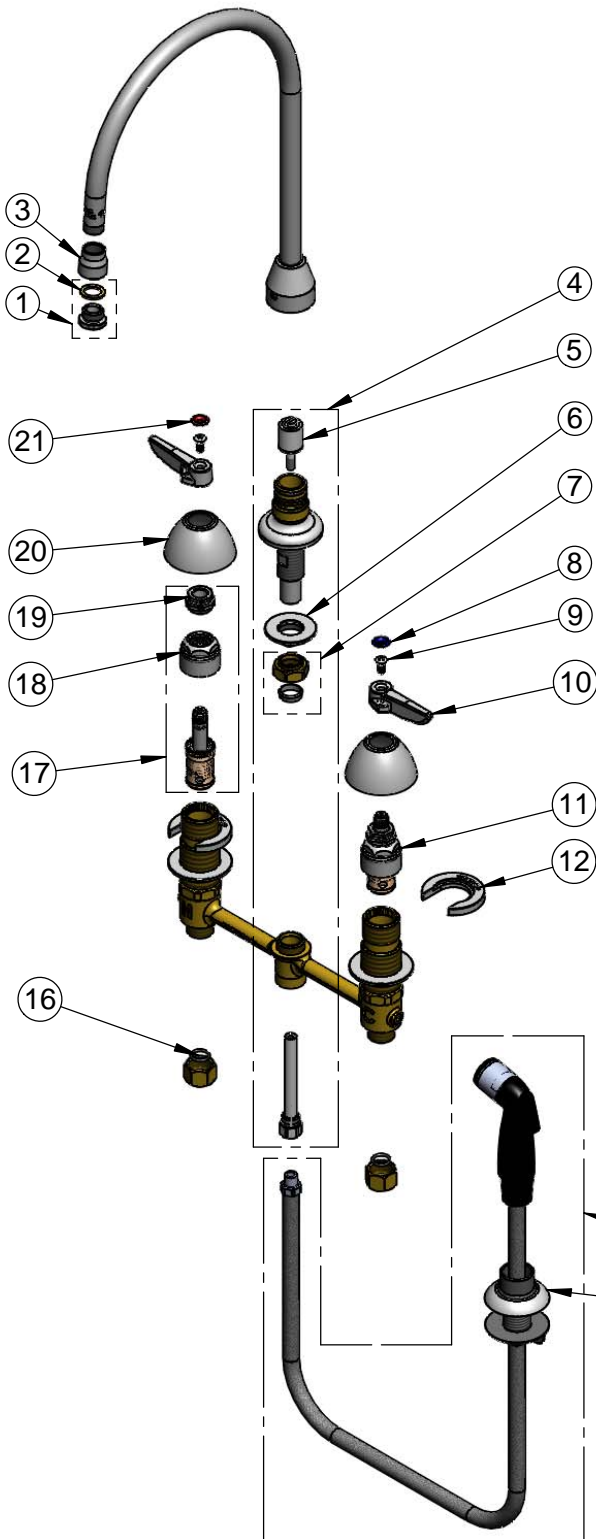
2 Saddleback Cove / P.O. Box 1088
Travelers Rest, SC 29690

Model No.

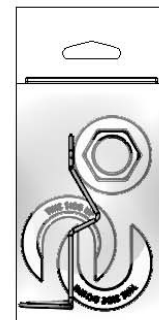
B-2347-04

Item No.

Travelers Rest, SC: 800-476-4103 • Simi Valley, CA: 800-423-0150 • Fax: 864-834-3518 • www.tsbrass.com



ITEM NO.	SALES NO.	DESCRIPTION
1	B-LT	Stream Regulator Outlet
2	009636-45	Washer
3	000557-25	Bell Adapter
4	017208-40	Center Body Diverter Asy
5	002338-45	Diverter
6	016742-45	Center Flange nut
7	016745-45	Compression Nut & Fitting
8	001660-45	Blue Index-CW
9	000922-45	Lever Handle Screw
10	001638-45	Lever Handle
11	016752-40	EasyInstall CWS LTC Eterna (Telfon)
12	016749-45	C-Washer
13	016777-45	CWS Hanger
14	001495-45	4' Side Spray w/ Hose Guide
15	001496-45	Hose Guide
16	000958-20	Coupling Nut
17	016753-40	EasyInstall CWS RTC Eterna (Teflon)
18	016743-25	CWS Bonnet Assembly
19	009002-25	Packing Assembly
20	001257-40	Bell Escutcheon
21	001661-45	Red Index-HW



017245-40
Installation Repair Kit
Includes #6, (2)#12 & #13

Product Specifications:

8" Deck Mount EasyInstall Mixing Faucet w/ 4' Sidespray, Lever Handles, Eterna Cartridges, Gooseneck w/ Stream Regulator Outlet and 1/2" NPSM Male Inlets w/ Coupling Nuts

Product Compliance:

ASME A112.18.1 / CSA B125.1
NSF 61 - Section 9
NSF 372 (Low Lead Content)
ANSI A117.1 (ADA)