

T&S BRASS AND BRONZE WORKS, INC.

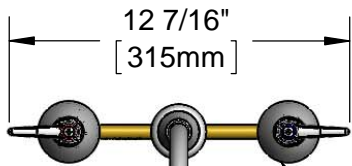
2 Saddleback Cove / P.O. Box 1088
Travelers Rest, SC 29690

Model No.

B-2347-03

Item No.

Travelers Rest, SC: 800-476-4103 • Simi Valley, CA: 800-423-0150 • Fax: 864-834-3518 • www.tsbrass.com



Ø2 1/4" [57mm]
Escutcheons



ADA Compliant

This Space for Architect/Engineer Approval

Job Name _____ Date _____

Model Specified _____ Quantity _____

Customer/Wholesaler _____

Contractor _____

Architect/Engineer _____

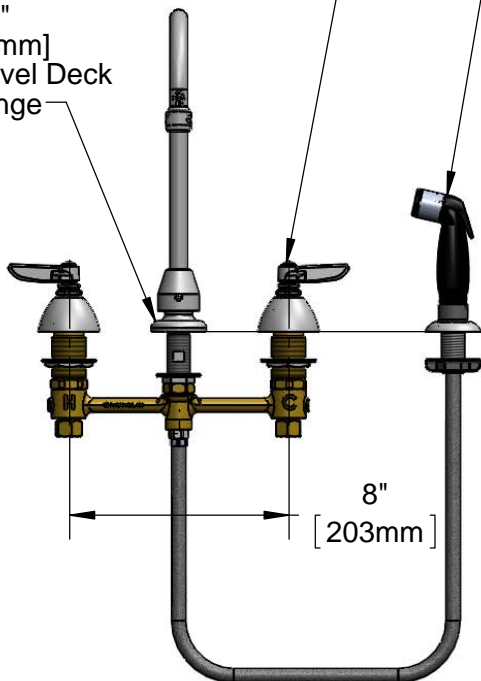
Swivel Gooseneck w/
B-PT
Stream Regulator Outlet



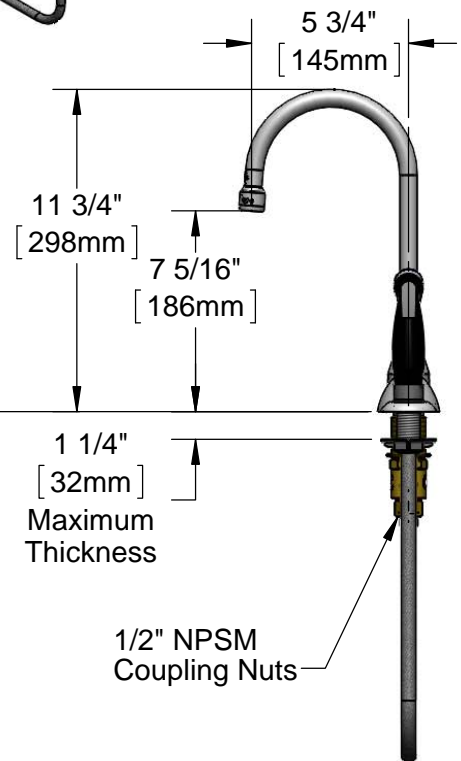
Eterna Cartridges &
Lever Handles w/
Color Coded Indexes

Black & Chrome
Sidespray
w/ Automatic
Diverter &
4' Under Counter
Flexible
Reinforced Hose

Ø2"
[51mm]
Swivel Deck
Flange



Mounting
Surface



1/2" NPSM
Coupling Nuts

Rough-In Requirement:

Ø1" [25mm] for Center Shank

Ø1 1/2" [38mm] for Hot/Cold Side

Product Specifications:

8" Deck Mount EasyInstall Mixing Faucet w/ 4' Sidespray, Lever Handles, Eterna Cartridges, Gooseneck w/ Stream Regulator Outlet & 1/2" NPSM Male Inlets with Coupling Nuts

Product Compliance:

ASME A112.18.1 / CSA B125.1
NSF 61 - Section 9
NSF 372 (Low Lead Content)
ANSI A117.1 (ADA)



T&S BRASS AND BRONZE WORKS, INC.

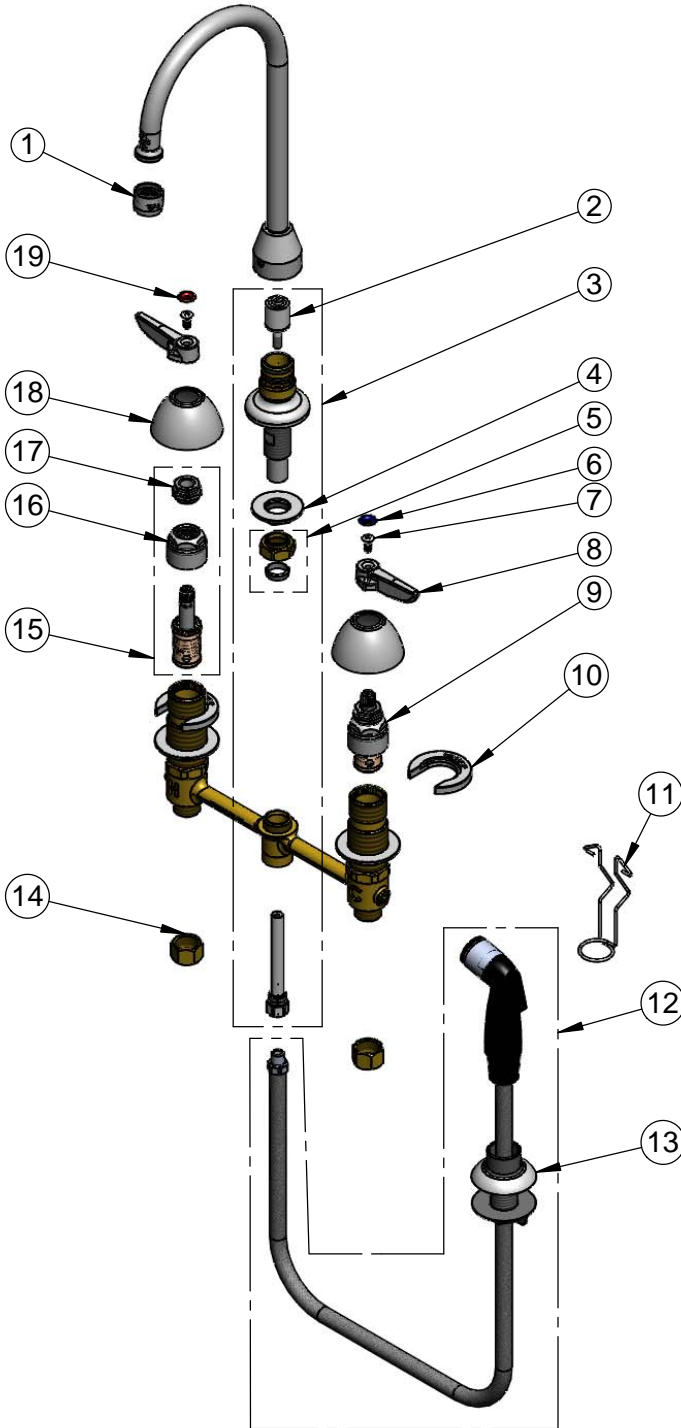
2 Saddleback Cove / P.O. Box 1088
Travelers Rest, SC 29690

Model No.

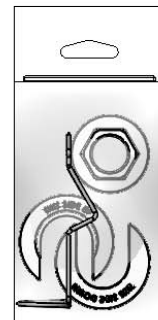
B-2347-03

Item No.

Travelers Rest, SC: 800-476-4103 • Simi Valley, CA: 800-423-0150 • Fax: 864-834-3518 • www.tsbrass.com



ITEM NO.	SALES NO.	DESCRIPTION
1	B-PT	Stream Regulator Outlet
2	002338-45	Diverter
3	017208-40	Center Body Diverter
4	016742-45	Center Flange nut
5	016745-45	Compression Nut & Fitting
6	001660-45	Blue Index-CW
7	000922-45	Lever Handle Screw
8	001638-45	Lever Handle
9	016752-40	EasyInstall CWS LTC Eterna (Teflon)
10	016749-45	C-Washer
11	016777-45	CWS Hanger
12	001495-45	4' Side Spray w/ Hose Guide
13	001496-45	Hose Guide
14	000958-20	Coupling Nut
15	016753-40	EasyInstall CWS RTC Eterna (Teflon)
16	016743-25	CWS Bonnet Assembly
17	009002-25	Packing Assembly
18	001257-40	Bell Escutcheon
19	001661-45	Red Index-HW



017245-40
Installation Repair Kit
Includes #4, (2)#10 & #11

Product Specifications:

8" Deck Mount EasyInstall Mixing Faucet w/ 4' Sidespray, Lever Handles, Eterna Cartridges, Gooseneck w/ Stream Regulator Outlet & 1/2" NPSM Male Inlets with Coupling Nuts

Product Compliance:

ASME A112.18.1 / CSA B125.1
NSF 61 - Section 9
NSF 372 (Low Lead Content)
ANSI A117.1 (ADA)