



T&S BRASS AND BRONZE WORKS, INC.

2 Saddleback Cove / P.O. Box 1088
Travelers Rest, SC 29690

Model No.

B-2347-02-WH4CR

Item No.

Travelers Rest, SC: 800-476-4103 • Simi Valley, CA: 800-423-0150 • Fax: 864-834-3518 • www.tsbrass.com



ADA Compliant

This Space for Architect/Engineer Approval

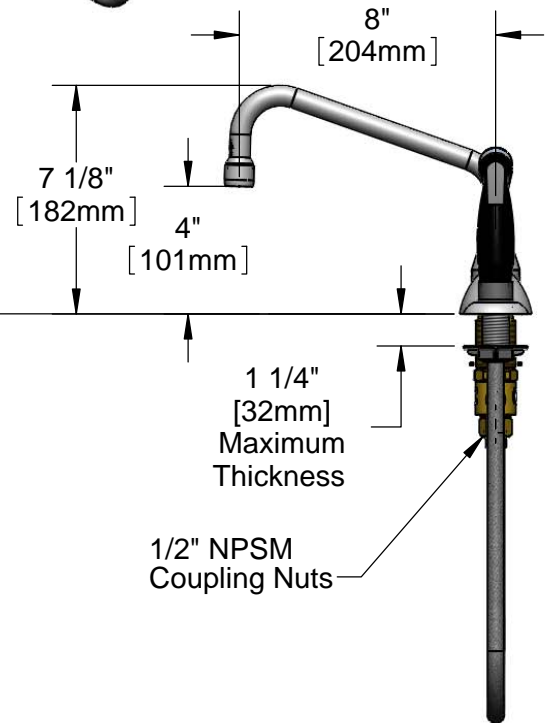
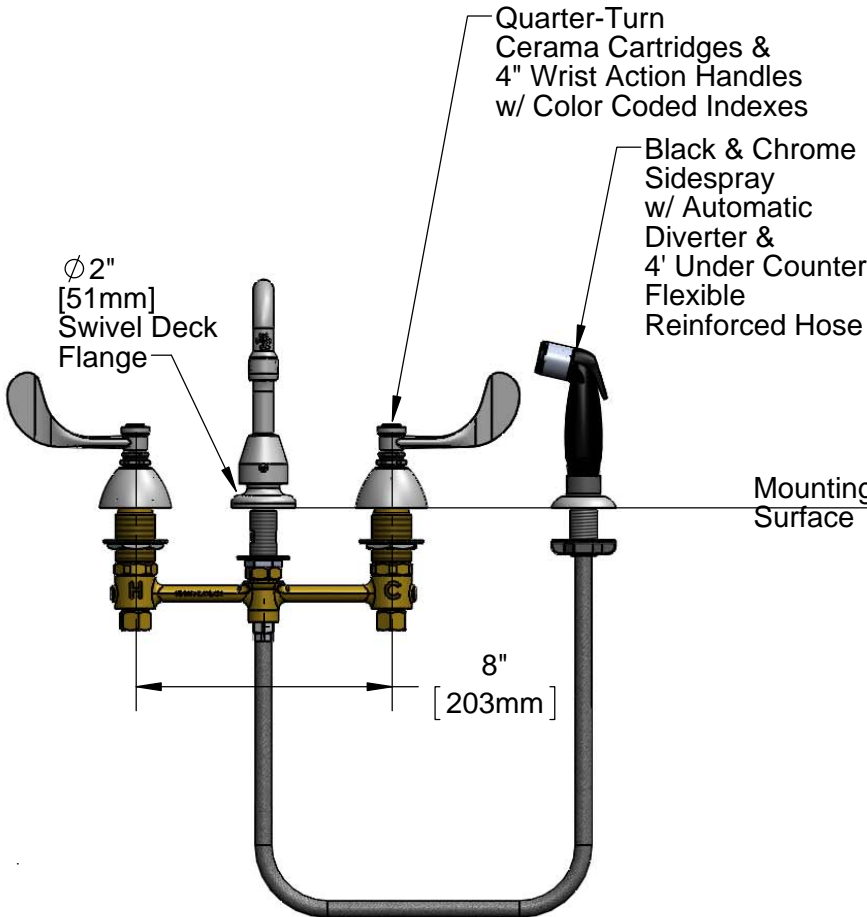
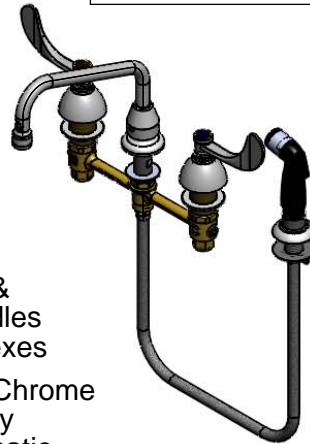
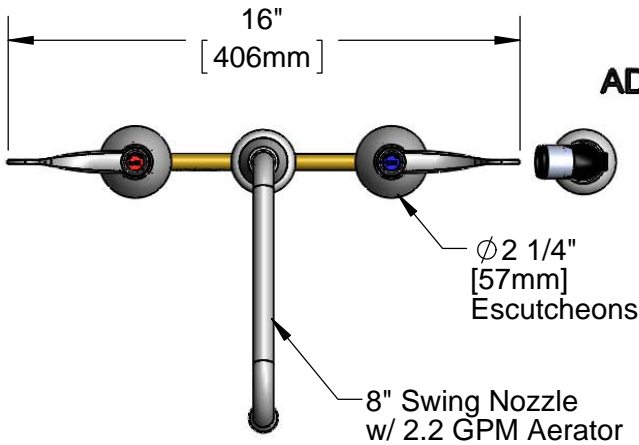
Job Name _____ Date _____

Model Specified _____ Quantity _____

Customer/Wholesaler _____

Contractor _____

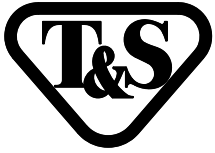
Architect/Engineer _____



Rough-In Requirement:
Ø 1" [25mm] for Center Shank
Ø 1 1/2" [38mm] for Hot/Cold Side

Product Specifications:
8" Deck Mount EasyInstall Mixing Faucet, 4" Sidespray, 8" Swing Nozzle w/
2.2 GPM Aerator, 4" Wrist Action Handles, Quarter-Turn Cerama Cartridges
& 1/2" NPSM Male Inlets w/ Coupling Nuts

Product Compliance:
ASME A112.18.1 / CSA B125.1
NSF 61 - Section 9
NSF 372 (Low Lead Content)
ANSI A117.1 (ADA)



T&S BRASS AND BRONZE WORKS, INC.

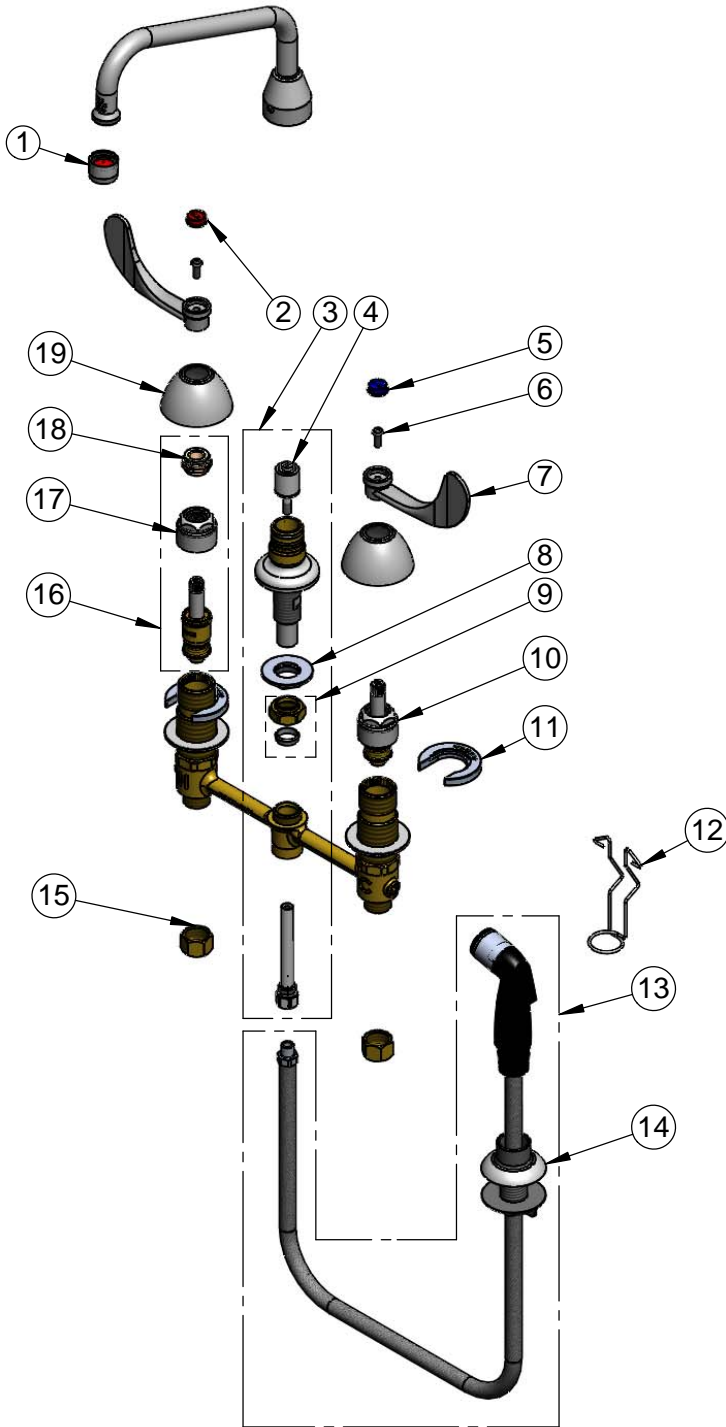
2 Saddleback Cove / P.O. Box 1088
Travelers Rest, SC 29690

Model No.

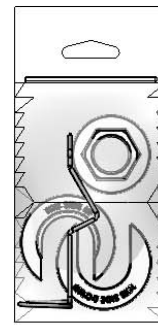
B-2347-02-WH4CR

Item No.

Travelers Rest, SC: 800-476-4103 • Simi Valley, CA: 800-423-0150 • Fax: 864-834-3518 • www.tsbrass.com



ITEM NO.	SALES NO.	DESCRIPTION
1	B-0199-01	2.2 GPM Aerator
2	001194-45	Red Index - HW
3	017208-40	Center Body Diverter
4	002338-45	Diverter
5	001686-45	Blue Index - CW
6	000925-45	Lab Handle Screw
7	B-WH4	4" Wrist Action Handle
8	016742-45	Center Flange Nut
9	016745-45	Compression Nut & Fitting
10	016767-25	EasyInstall CWS LTC Cerama
11	016749-45	C-Washer
12	016777-45	CWS Hanger
13	001495-45	4' Side Spray w/ Hose Guide
14	001496-45	Hose Guide
15	000958-20	Coupling Nut
16	016768-25	EasyInstall CWS RTC Cerama
17	016743-25	CWS Bonnet Assembly
18	009002-25	Packing Assembly
19	001257-40	Bell Escutcheon



017245-40
Installation Repair Kit
Includes #8, (2)#11, & #12

Product Specifications:

8" Deck Mount EasyInstall Mixing Faucet, 4' Sidespray, 8" Swing Nozzle w/ 2.2 GPM Aerator, 4" Wrist Action Handles, Quarter-Turn Cerama Cartridges & 1/2" NPSM Male Inlets w/ Coupling Nuts

Product Compliance:

ASME A112.18.1 / CSA B125.1
NSF 61 - Section 9
NSF 372 (Low Lead Content)
ANSI A117.1 (ADA)