

T&S BRASS AND BRONZE WORKS, INC.

2 Saddleback Cove / P.O. Box 1088
Travelers Rest, SC 29690

Model No.

B-2345-01-XX

Item No.

Travelers Rest, SC: 800-476-4103 • Simi Valley, CA: 800-423-0150 • Fax: 864-834-3518 • www.tsbrass.com



ADA Compliant

This Space for Architect/Engineer Approval

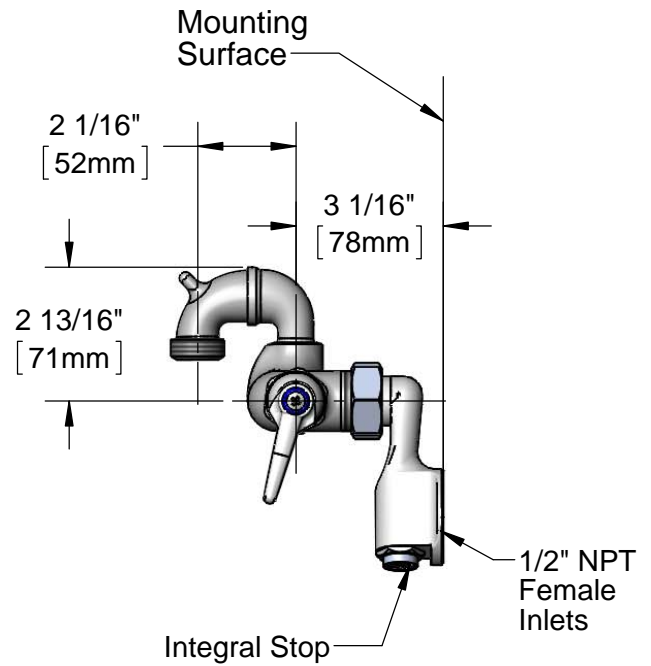
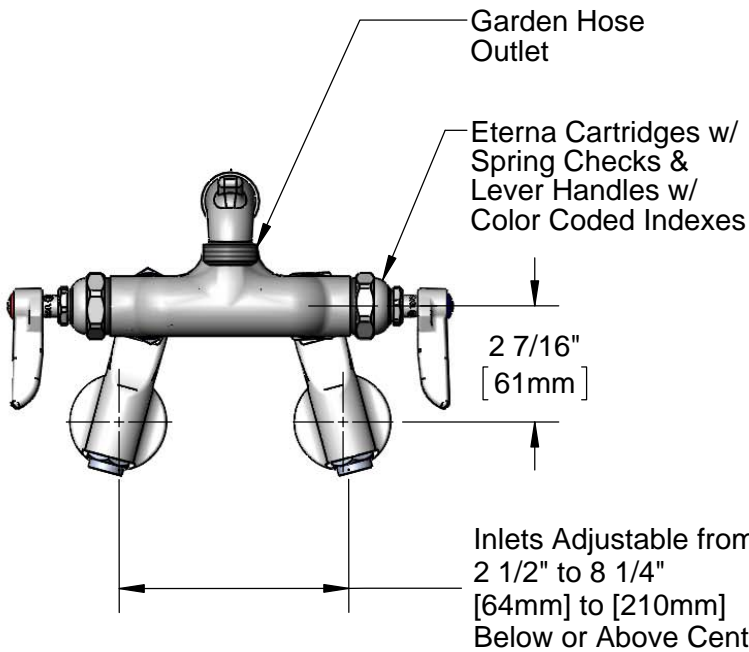
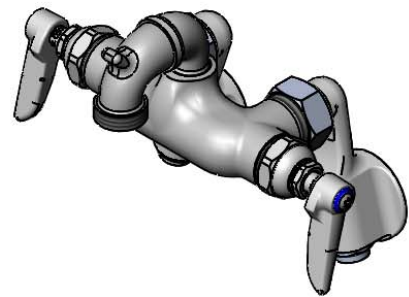
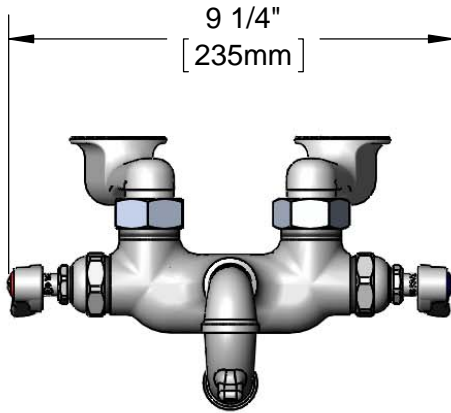
Job Name _____ Date _____

Model Specified _____ Quantity _____

Customer/Wholesaler _____

Contractor _____

Architect/Engineer _____



Product Specifications:

Wall Mount Polished Chrome Mixing Faucet w/ 1/2" NPT Adjustable Inlets w/ Screwdriver Stops, Lever Handles & Eterna Cartridges w/ Spring Checks

Product Compliance:

ASME A112.18.1 / CSA B125.1
NSF 61 - Section 9
NSF 372 (Low Lead Content)
ANSI A117.1 (ADA)



T&S BRASS AND BRONZE WORKS, INC.

2 Saddleback Cove / P.O. Box 1088
Travelers Rest, SC 29690

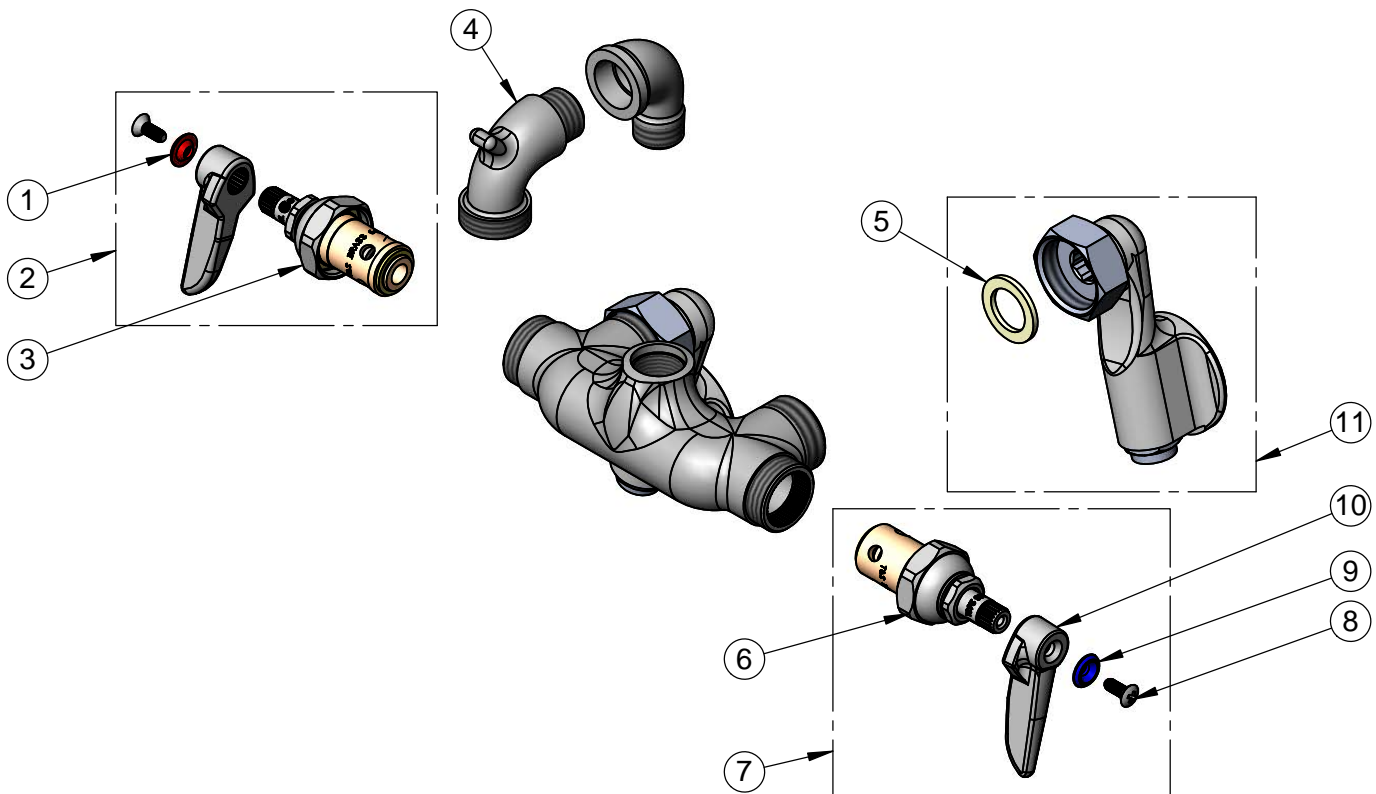
Model No.

B-2345-01-XX

Item No.

Travelers Rest, SC: 800-476-4103 • Simi Valley, CA: 800-423-0150 • Fax: 864-834-3518 • www.tsbrass.com

ITEM NO.	SALES NO.	DESCRIPTION
1	001661-45	Red Index-HW
2	002712-40	Eterna Cartridge, RTC w/ Spring Check, Handle, Index & Screw
3	012443-40	Eterna Cartridge, RTC w/ Spring Check
4	000270-40	Spout, Garden Hose Outlet
5	001019-45	Coupling Nut Washer
6	012442-40	Eterna Cartridge, LTC w/ Spring Check
7	002711-40	Eterna Cartridge, LTC w/ Spring Check, Handle, Index & Screw
8	000922-45	Lever Handle Screw
9	001660-45	Blue Index-CW
10	001638-45	Lever Handle
11	00XX	1/2" NPT Female Adjustable Arm Inlet w/ Screwdriver Stop



Product Specifications:

Wall Mount Polished Chrome Mixing Faucet w/ 1/2" NPT Adjustable Inlets w/ Screwdriver Stops, Lever Handles & Eterna Cartridges w/ Spring Checks

Product Compliance:

ASME A112.18.1 / CSA B125.1
NSF 61 - Section 9
NSF 372 (Low Lead Content)
ANSI A117.1 (ADA)