



T&S BRASS AND BRONZE WORKS, INC.

2 Saddleback Cove / P.O. Box 1088
Travelers Rest, SC 29690

Model No.

B-2338-08

Item No.

Travelers Rest, SC: 800-476-4103 • Simi Valley, CA: 800-423-0150 • Fax: 864-834-3518 • www.tsbrass.com

This Space for Architect/Engineer Approval

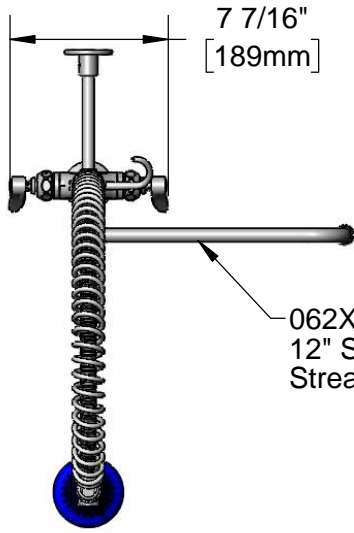
Job Name _____ Date _____

Model Specified _____ Quantity _____

Customer/Wholesaler _____

Contractor _____

Architect/Engineer _____



7 7/16"
[189mm]

062X
12" Swing Nozzle w/
Stream Regulator Outlet

44" Flexible Stainless
Steel Hose w/ Spring
& Spray Valve

Items Not Shown
for Clarity

Finger Hook

B-0108
1.48 GPM
Spray Valve

B-0109-01
6" Wall
Bracket

3/8" NPT x
18" Riser

12"
[305mm]

14 3/4"
[375mm]

11 5/8"
[295mm]

2 5/16"
[58mm]

Mounting
Surface

Quarter-Turn Eterna
Cartridges w/ Spring
Checks & Lever
Handles w/ Color
Coded Indexes

18" Flexible
Stainless Steel
Supply Hoses

12 5/16"
[313mm]

14 7/16"
[366mm]

40 1/4"
[1023mm]

EasyInstall Add-On
Faucet w/ Quarter-
Turn Eterna Cartridge
& Lever Handle

1 3/8"
[35mm]
Maximum
Thickness

Compression Fittings for
5/8" O.D. Copper Tubing
(Remove Compression Nut
for 1/2" NPSM Male)

Rough-In Requirement:
Ø 1 1/2" [38mm] Mounting Hole

Product Specifications:

Pre-Rinse Unit: Single Hole Deck Mount Mixing Faucet, Quarter-Turn Eterna Cartridges w/ Spring Checks, Lever Handles, Add-On Faucet, 12" Swing Nozzle w/ Stream Regulator Outlet, 44" Flexible Stainless Steel Hose, 1.48 GPM Spray Valve, 6" Wall Bracket & 18" Flexible Stainless Steel Supply Hoses w/ 1/2" NPSM Male Inlets

Product Compliance:

ASME A112.18.1 / CSA B125.1
NSF 61 - Section 9
NSF 372 (Low Lead Content)
EPA 2005 (PRSV)



T&S BRASS AND BRONZE WORKS, INC.

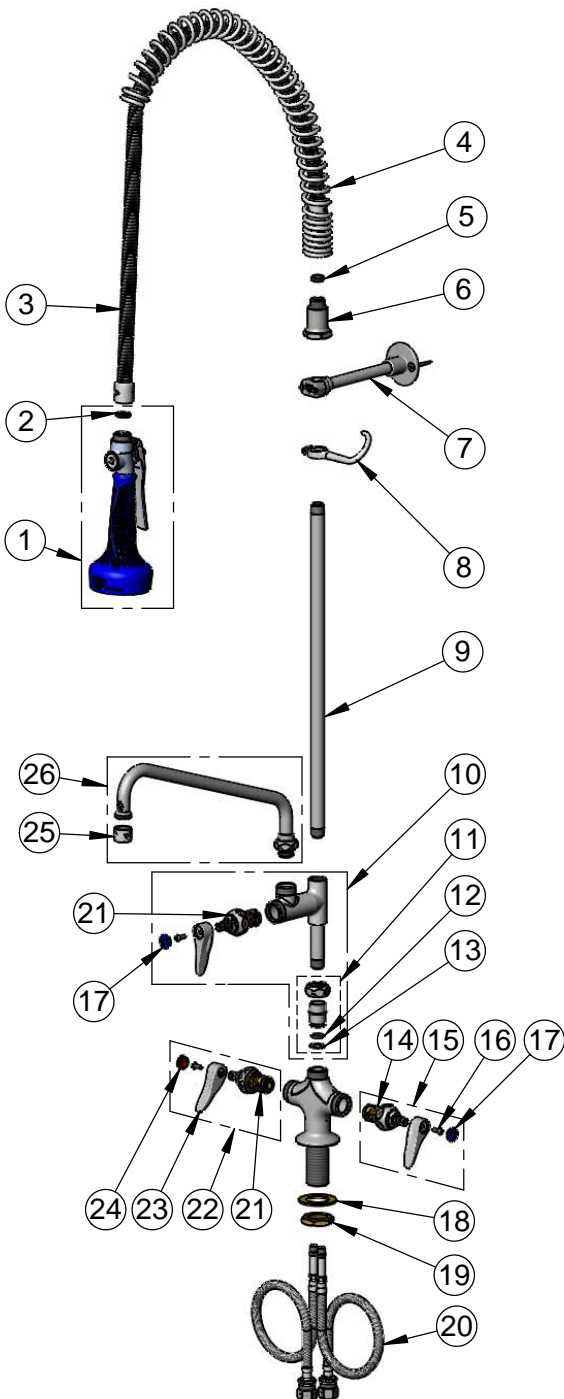
2 Saddleback Cove / P.O. Box 1088
Travelers Rest, SC 29690

Model No.

B-2338-08

Item No.

Travelers Rest, SC: 800-476-4103 • Simi Valley, CA: 800-423-0150 • Fax: 864-834-3518 • www.tsbrass.com



| ITEM NO. | SALES NO. | DESCRIPTION |
|----------|-------------|---|
| 1 | B-0108 | 1.48 GPM Spray Valve |
| 2 | 001014-45 | Washer, B-0100 Hose Barrel |
| 3 | B-0044-H2A | 44" Flexible Stainless Steel Hose, Less Handle |
| 4 | 000888-45 | EasyInstall Overhead Spring |
| 5 | 010476-45 | #27 Washer |
| 6 | 000821-40 | Spring Body |
| 7 | B-0109-01 | 6" Wall Bracket |
| 8 | 004R | Finger Hook |
| 9 | 000369-40 | 3/8" NPT x 18" Riser |
| 10 | B-0155-LNEZ | EasyInstall Add-On Faucet w/ Quarter-Turn Eterna Cartridge, RTC & Lever Handle, Less Nozzle |
| 11 | EZ-K | EasyInstall Kit |
| 12 | 001065-45 | O-Ring |
| 13 | 014200-45 | Star Washer, Anti-Rotation |
| 14 | 012442-40NS | Quarter-Turn Eterna Cartridge w/ Spring Check, LTC |
| 15 | 002711-40NS | Quarter-Turn Eterna Cartridge w/ Spring Check, Handle, Blue Index & Screw, LTC |
| 16 | 000925-45 | Lab Handle Screw |
| 17 | 018506-19NS | Blue Button Index, Press-in |
| 18 | 002290-45 | Lock Washer |
| 19 | 000965-45 | Lock Nut |
| 20 | 012534-45 | 18" Flexible Supply Hoses (2) |
| 21 | 012443-40NS | Quarter-Turn Eterna Cartridge w/ Spring Check, RTC |
| 22 | 002712-40NS | Quarter-Turn Eterna Cartridge w/ Spring Check, Handle, Red Index & Screw, RTC |
| 23 | 001638-45NS | Lever Handle (New Style) |
| 24 | 001193-19NS | Red Button Index, Press-in |
| 25 | B-PT | Full Flow Stream Regulator, 55/64-27 |
| 26 | 062X | 12" Swing Nozzle |

Product Specifications:

Pre-Rinse Unit: Single Hole Deck Mount Mixing Faucet, Quarter-Turn Eterna Cartridges w/ Spring Checks, Lever Handles, Add-On Faucet, 12" Swing Nozzle w/ Stream Regulator Outlet, 44" Flexible Stainless Steel Hose, 1.48 GPM Spray Valve, 6" Wall Bracket & 18" Flexible Stainless Steel Supply Hoses w/ 1/2" NPSM Male Inlets

Product Compliance:

ASME A112.18.1 / CSA B125.1
NSF 61 - Section 9
NSF 372 (Low Lead Content)
EPA Act 2005 (PRSV)