



T&S BRASS AND BRONZE WORKS, INC.

2 Saddleback Cove / P.O. Box 1088
Travelers Rest, SC 29690

Model No.

B-2311

Item No.

Travelers Rest, SC: 800-476-4103 • Simi Valley, CA: 800-423-0150 • Fax: 864-834-3518 • www.tsbrass.com

This Space for Architect/Engineer Approval

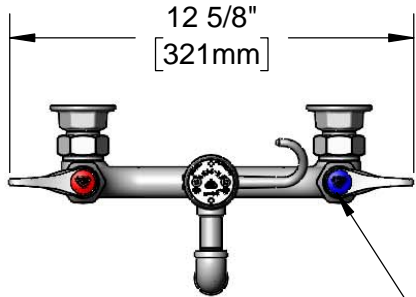
Job Name _____ Date _____

Model Specified _____ Quantity _____

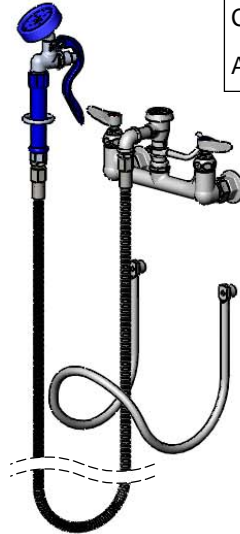
Customer/Wholesaler _____

Contractor _____

Architect/Engineer _____

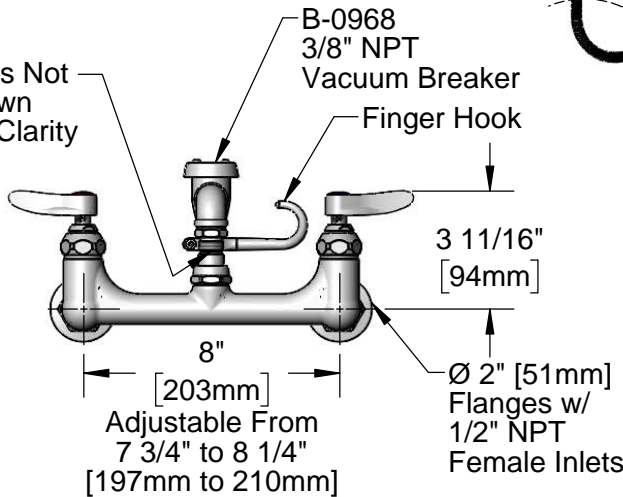


Quarter-Turn Eterna Cartridges w/ Spring Checks & Lever Handles w/ Color Coded Indexes



EB-0107-035 High Flow Angled Spray Valve

Items Not Shown For Clarity



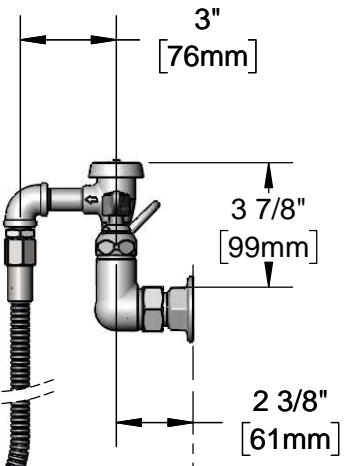
B-0968 3/8" NPT Vacuum Breaker

Finger Hook

3 11/16" [94mm]

8" [203mm] Adjustable From 7 3/4" to 8 1/4" [197mm to 210mm]

Ø 2" [51mm] Flanges w/ 1/2" NPT Female Inlets



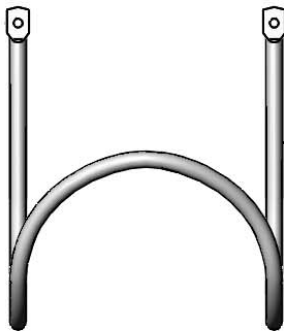
3" [76mm]

3 7/8" [99mm]

2 3/8" [61mm]

20' Flexible Stainless Steel Hose

Mounting Surface



Stainless Steel Hose Rack w/ Mounting Hardware

Product Specifications:

8" Wall Mount Pot & Kettle Filler Faucet, Quarter-Turn Eterna Cartridges w/ Spring Checks, Lever Handles, 3/8" NPT Vacuum Breaker, High Flow Angled Spray Valve w/ 20 ft. Flexible Stainless Steel Hose, Stainless Steel Hose Rack & 1/2" NPT Female Inlets

Product Compliance:

ASME A112.18.1 / CSA B125.1
NSF 61 - Section 9
NSF 372 (Low Lead Content)
EPA Act 2005 Non-Compliant (PRSV)
ASSE 1001 (VB)



T&S BRASS AND BRONZE WORKS, INC.

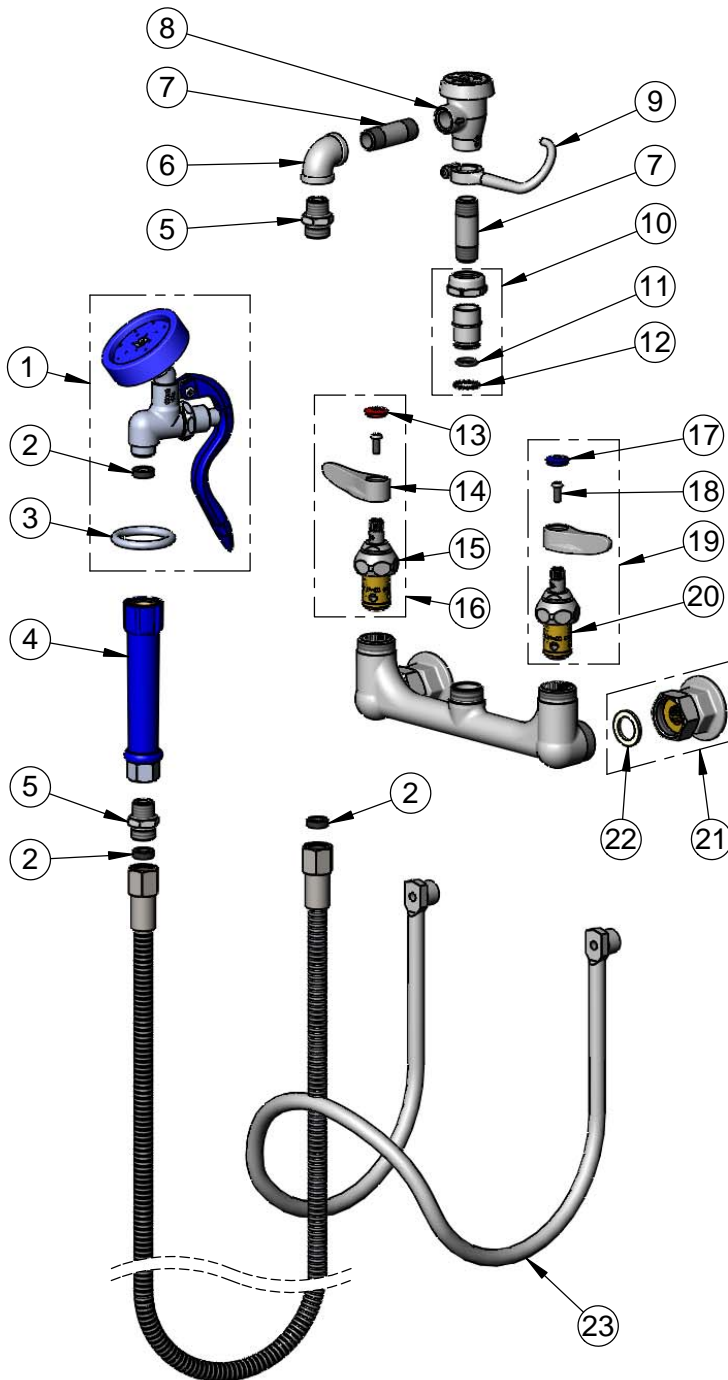
2 Saddleback Cove / P.O. Box 1088
Travelers Rest, SC 29690

Model No.

B-2311

Item No.

Travelers Rest, SC: 800-476-4103 • Simi Valley, CA: 800-423-0150 • Fax: 864-834-3518 • www.tsbrass.com



ITEM NO.	SALES NO.	DESCRIPTION
1	EB-0107-035	High Flow Angled Spray Valve (Blue)
2	010476-45	#27 Washer
3	000907-45	Spray Valve Hold Down Ring
4	012504-40	Grip Handle, 3/8" NPT Female
5	053A	Adapter, 3/8" NPT Male
6	001355-40	Elbow, 3/8 NPT
7	000357-40	Nipple, 3/8" NPT x 2"
8	B-0968	3/8" NPT Vacuum Breaker
9	004R	Finger Hook
10	EZ-K	EasyInstall Kit
11	001065-45	O-ring
12	014200-45	Star Washer, Anti-Rotation
13	001193-19NS	Red Button Index, Press-in
14	001638-45NS	Lever Handle (New Style)
15	012443-40NS	Quarter-Turn Eterna Cartridge w/ Spring Check, RTC
16	002712-40NS	Quarter-Turn Eterna Cartridge w/ Spring Check, Handle, Red Index & Screw, RTC
17	018506-19NS	Blue Button Index, Press-in
18	000925-45	Lab Handle Screw
19	002711-40NS	Quarter-Turn Eterna Cartridge w/ Spring Check, Handle, Blue Index & Screw, LTC
20	012442-40NS	Quarter-Turn Eterna Cartridge w/ Spring Check, LTC
21	00AA	1/2" NPT Female Eccentric Flange
22	001019-45	Coupling Nut Washer
23	002970-45	Hose Rack w/ Mounting Hardware

Product Specifications:

8" Wall Mount Pot & Kettle Filler Faucet, Quarter-Turn Eterna Cartridges w/ Spring Checks, Lever Handles, 3/8" NPT Vacuum Breaker, High Flow Angled Spray Valve w/ 20 ft. Flexible Stainless Steel Hose, Stainless Steel Hose Rack & 1/2" NPT Female Inlets

Product Compliance:

ASME A112.18.1 / CSA B125.1
NSF 61 - Section 9
NSF 372 (Low Lead Content)
EPA Act 2005 Non-Compliant (PRSV)
ASSE 1001 (VB)