



**T&S BRASS AND BRONZE WORKS, INC.**  
 2 Saddleback Cove / P.O. Box 1088  
 Travelers Rest, SC 29690

Model No.  
**B-2301**

Item No.

Travelers Rest, SC: 800-476-4103 • Simi Valley, CA: 800-423-0150 • Fax: 864-834-3518 • www.tsbrass.com



**ADA Compliant**

This Space for Architect/Engineer Approval

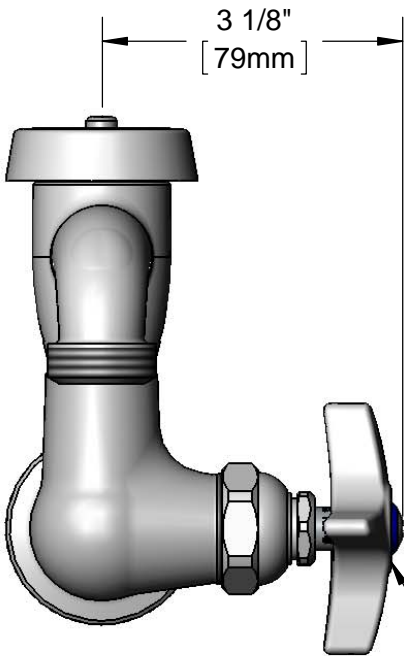
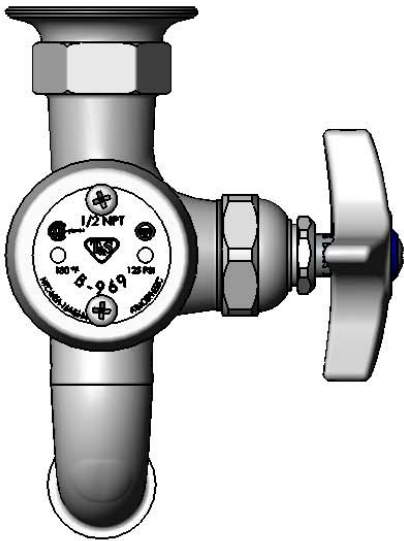
Job Name \_\_\_\_\_ Date \_\_\_\_\_

Model Specified \_\_\_\_\_ Quantity \_\_\_\_\_

Customer/Wholesaler \_\_\_\_\_

Contractor \_\_\_\_\_

Architect/Engineer \_\_\_\_\_



B-0969  
 1/2" NPT  
 Vacuum Breaker

3/4" Garden Hose  
 Male Outlet

1 1/2"  
 [38mm]

4 5/16"  
 [109mm]

2 3/8"  
 [61mm]

2 9/16"  
 [66mm]

Mounting Surface

Ø 2" [51mm]  
 Flange w/  
 1/2" NPT  
 Female Inlet

Eterna Cartridge &  
 4-Arm Handle w/  
 Blue Color Coded Index

**Product Specifications:**  
 Single Hole Single Temperature Wall Mount Sill Faucet, Eterna Cartridge,  
 4-Arm Handle, 1/2" NPT Vacuum Breaker, 3/4" Garden Hose Male Outlet  
 & 1/2" NPT Female Inlet

**Product Compliance:**  
 ASME A112.18.1 / CSA B125.1  
 NSF 61 Exempt (Non-Potable)  
 ANSI A117.1 (ADA)  
 ASSE 1001 (VB)



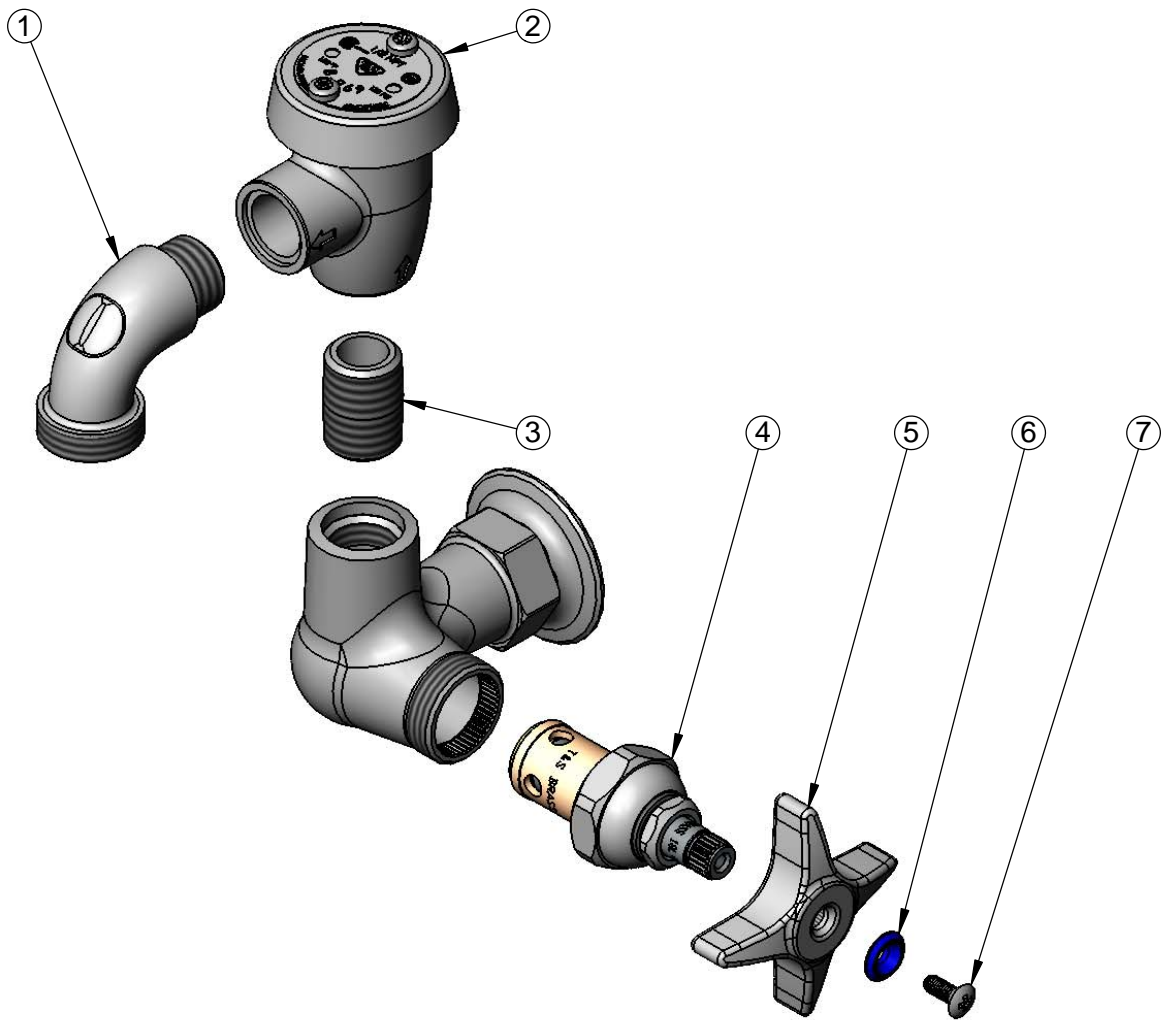
**T&S BRASS AND BRONZE WORKS, INC.**  
 2 Saddleback Cove / P.O. Box 1088  
 Travelers Rest, SC 29690

Model No.  
**B-2301**

Item No.

Travelers Rest, SC: 800-476-4103 • Simi Valley, CA: 800-423-0150 • Fax: 864-834-3518 • www.tsbrass.com

ITEM NO.	SALES NO.	DESCRIPTION
1	001618-40	Spout, Short
2	B-0969	1/2" NPT Vacuum Breaker
3	002534-25	Close Nipple, 1/2" NPT
4	005960-40	Eterna Cartridge, RTC
5	002521-45	4-Arm Handle
6	001660-45	Blue Index-CW
7	000922-45	Lever Handle Screw



**Product Specifications:**  
 Single Hole Single Temperature Wall Mount Sill Faucet, Eterna Cartridge, 4-Arm Handle, 1/2" NPT Vacuum Breaker, 3/4" Garden Hose Male Outlet & 1/2" NPT Female Inlet

**Product Compliance:**  
 ASME A112.18.1 / CSA B125.1  
 NSF 61 Exempt (Non-Potable)  
 ANSI A117.1 (ADA)  
 ASSE 1001 (VB)