



# T&S BRASS AND BRONZE WORKS, INC.

2 Saddleback Cove / P.O. Box 1088  
Travelers Rest, SC 29690

Model No.

**B-2283-CR**

Item No.

Travelers Rest, SC: 800-476-4103 • Simi Valley, CA: 800-423-0150 • Fax: 864-834-3518 • www.tsbrass.com



**ADA Compliant**

This Space for Architect/Engineer Approval

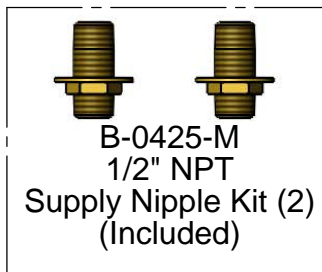
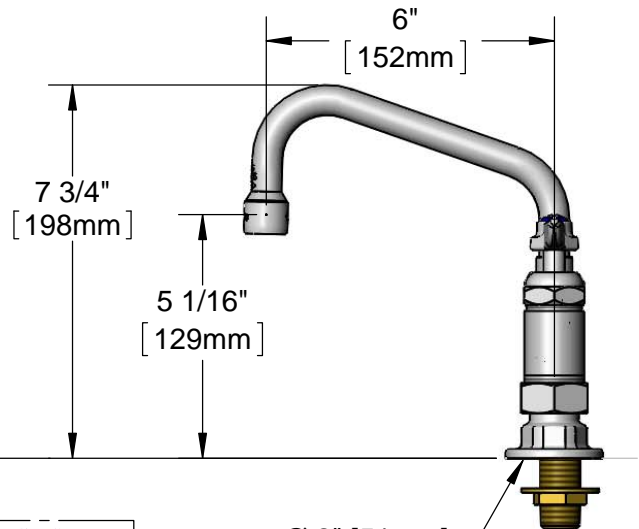
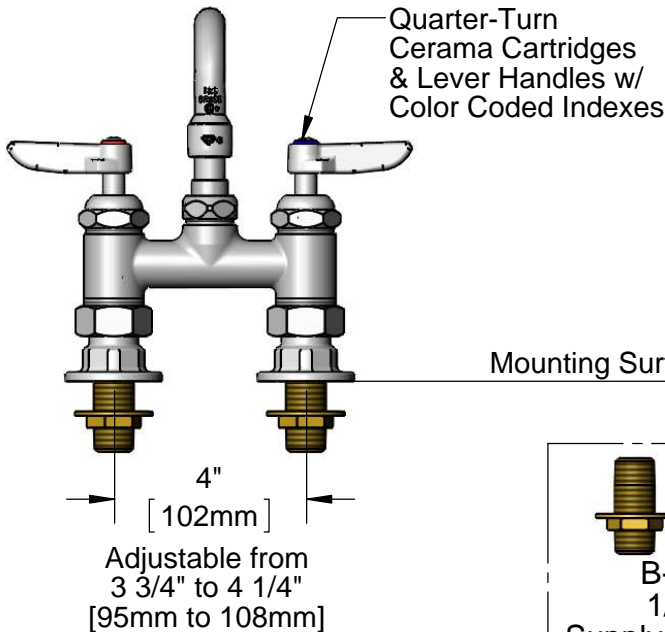
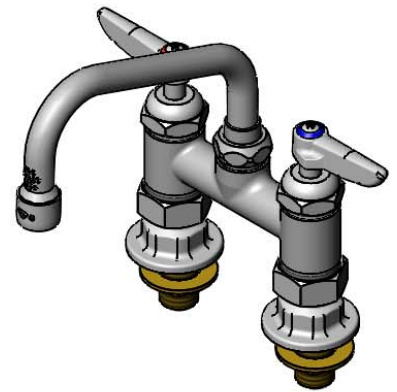
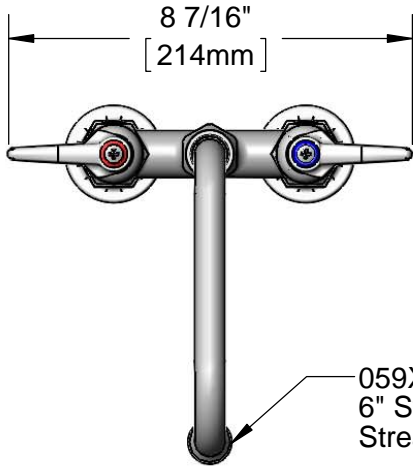
Job Name \_\_\_\_\_ Date \_\_\_\_\_

Model Specified \_\_\_\_\_ Quantity \_\_\_\_\_

Customer/Wholesaler \_\_\_\_\_

Contractor \_\_\_\_\_

Architect/Engineer \_\_\_\_\_



**Product Specifications:**

4" Deck Mount Mixing Faucet, Quarter-Turn Cerama Cartridges, Lever Handles, 6" Swing Nozzle & 1/2" NPT Female Inlets w/ 1/2" Supply Nipple Kits

**Product Compliance:**

ASME A112.18.1 / CSA B125.1  
NSF 61 - Section 9  
NSF 372 (Low Lead Content)  
ANSI A117.1 (ADA)



# T&S BRASS AND BRONZE WORKS, INC.

2 Saddleback Cove / P.O. Box 1088  
Travelers Rest, SC 29690

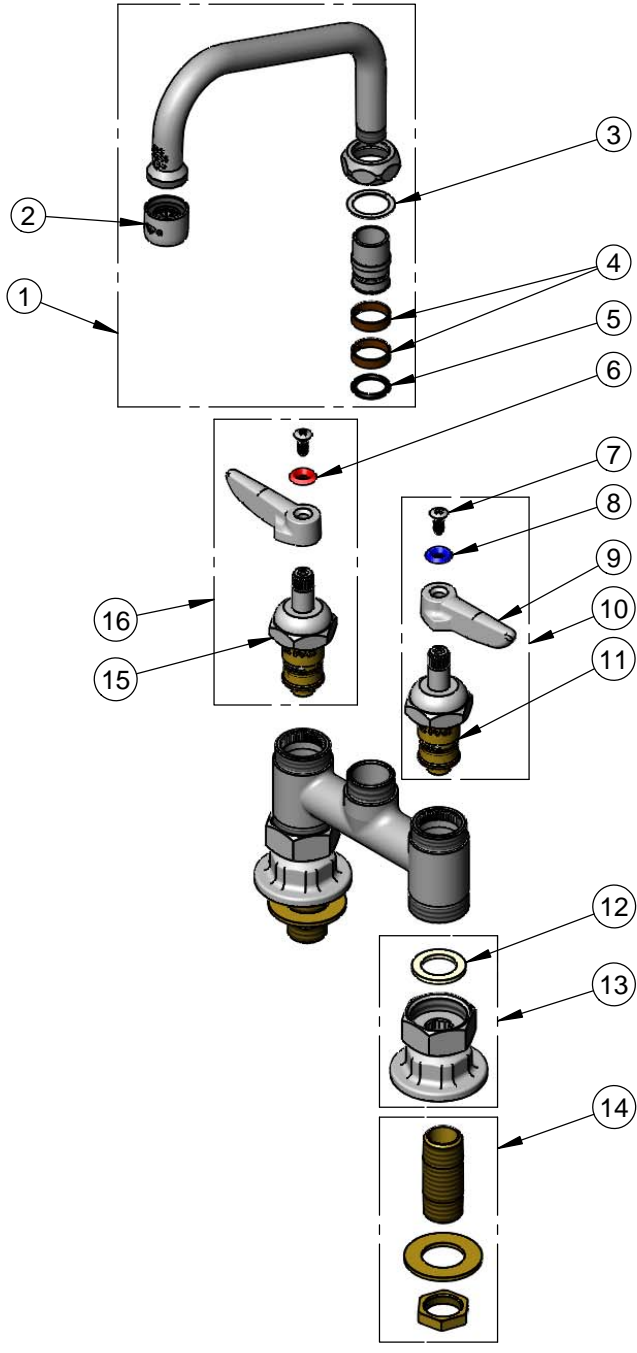
B-PT Index Ring Asm

Model No.  
**B-2283-CR**

Item No.

Travelers Rest, SC: 800-476-4103 • Simi Valley, CA: 800-423-0150 • Fax: 864-834-3518 • www.tsbrass.com

ITEM NO.	SALES NO.	DESCRIPTION
1	059X	6" Swing Nozzle w/ Stream Regulator Outlet
2	B-PT	Stream Regulator Outlet
3	009538-45	Swivel Washer
4	011429-45	Swivel Sleeves (2)
5	001074-45	O-Ring
6	001661-45	Red Index-HW
7	000922-45	Lever Handle Screw
8	001660-45	Blue Index-CW
9	001638-45	Lever Handle
10	012445-25	Quarter-Turn Cerama Cartridge, LTC w/ Handle, Index & Screw
11	011279-25	Quarter-Turn Cerama Cartridge, LTC
12	001019-45	Coupling Nut Washer
13	00AA	1/2" NPT Female Eccentric Flange
14	B-0425-M	1/2" NPT Supply Nipple Kit (2)
15	011278-25	Quarter-Turn Cerama Cartridge, RTC
16	012444-25	Quarter-Turn Cerama Cartridge, RTC w/ Handle, Index & Screw



**Product Specifications:**  
4" Deck Mount Mixing Faucet, Quarter-Turn Cerama Cartridges, Lever Handles, 6" Swing Nozzle & 1/2" NPT Female Inlets w/ 1/2" Supply Nipple Kits

**Product Compliance:**  
ASME A112.18.1 / CSA B125.1  
NSF 61 - Section 9  
NSF 372 (Low Lead Content)  
ANSI A117.1 (ADA)