



T&S BRASS AND BRONZE WORKS, INC.

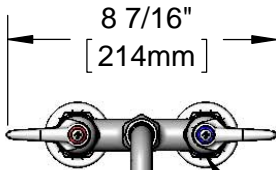
2 Saddleback Cove / P.O. Box 1088
Travelers Rest, SC 29690

Model No.

B-2283-065X

Item No.

Travelers Rest, SC: 800-476-4103 • Simi Valley, CA: 800-423-0150 • Fax: 864-834-3518 • www.tsbrass.com



Eterna Cartridges & Lever Handles w/ Color Coded Indexes



ADA Compliant

This Space for Architect/Engineer Approval

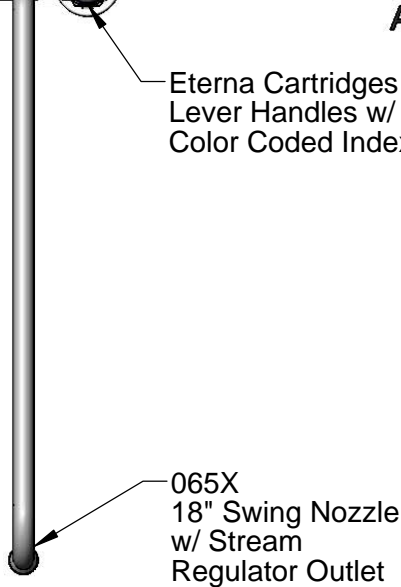
Job Name _____ Date _____

Model Specified _____ Quantity _____

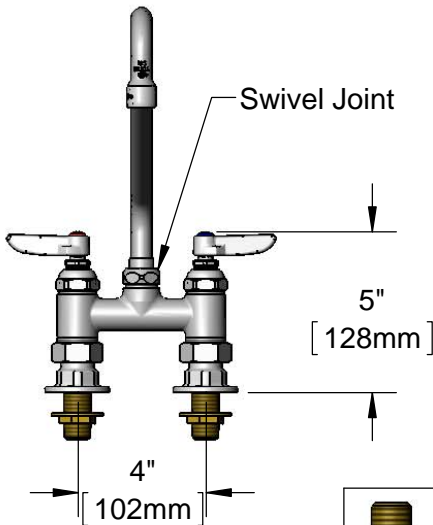
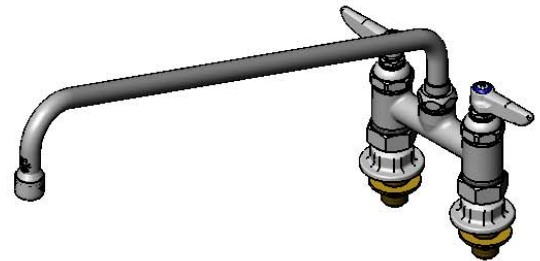
Customer/Wholesaler _____

Contractor _____

Architect/Engineer _____



065X
18" Swing Nozzle
w/ Stream
Regulator Outlet

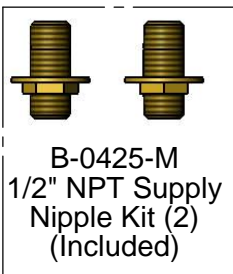


Swivel Joint

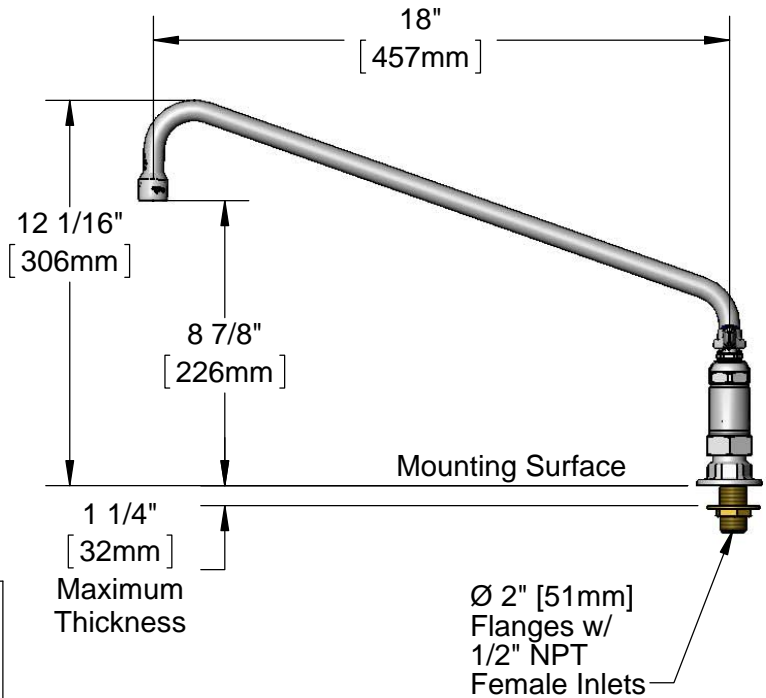
5"
[128mm]

4"
[102mm]

Adjustable from
3 3/4" to 4 1/4"
[95mm to 108mm]



B-0425-M
1/2" NPT Supply
Nipple Kit (2)
(Included)



18"
[457mm]

12 1/16"
[306mm]

8 7/8"
[226mm]

Mounting Surface

1 1/4"
[32mm]
Maximum
Thickness

Ø 2" [51mm]
Flanges w/
1/2" NPT
Female Inlets

Product Specifications:

4" Deck Mount Mixing Faucet, Eterna Cartridges, Lever Handles, 18" Swing Nozzle & 1/2" NPT Female Inlets with 1/2" Supply Nipple Kit

Product Compliance:

ASME A112.18.1 / CSA B125.1
NSF 61 - Section 9
NSF 372 (Low Lead Content)
ANSI A117.1 (ADA)

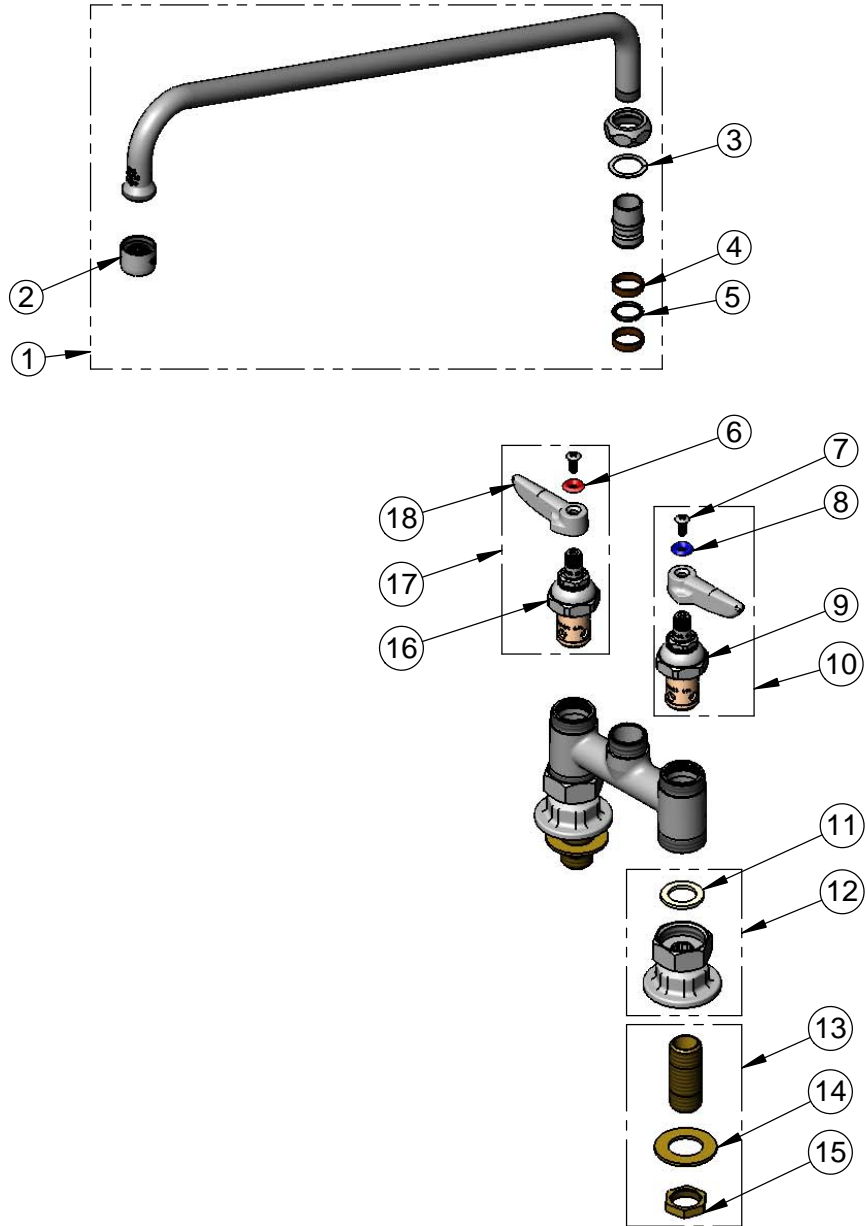


T&S BRASS AND BRONZE WORKS, INC.
 2 Saddleback Cove / P.O. Box 1088
 Travelers Rest, SC 29690

Model No.
B-2283-065X

Item No.

Travelers Rest, SC: 800-476-4103 • Simi Valley, CA: 800-423-0150 • Fax: 864-834-3518 • www.tsbrass.com



ITEM NO.	SALES NO.	DESCRIPTION
1	065X	18" Swing Nozzle
2	B-PT	Stream Regulator Outlet
3	009538-45	Swivel Washer
4	011429-45	Swivel Sleeves (2)
5	001074-45	O-Ring
6	001661-45	Red Index-HW
7	000922-45	Lever Handle Screw
8	001660-45	Blue Index-CW
9	005959-40	Eterna Cartridge, LTC
10	002713-40	Eterna Cartridge, LTC w/ Handle, Index & Screw
11	001019-45	Coupling Nut Washer
12.	00AA	1/2" NPT Female Eccentric Flange
13	B-0425	1/2" Male Supply Nipple Kits
14	000999-45	Brass Lock Washer
15	002954-45	Shank Lock Nut
16	005960-40	Eterna Cartridge, RTC
17	002714-40	Eterna Cartridge, RTC w/ Handle, Index & Screw
18	001638-45	Lever Handle

Product Specifications:
 4" Deck Mount Mixing Faucet, Eterna Cartridges, Lever Handles,
 18" Swing Nozzle & 1/2" NPT Female Inlets with 1/2" Supply Nipple Kit

Product Compliance:
 ASME A112.18.1 / CSA B125.1
 NSF 61 - Section 9
 NSF 372 (Low Lead Content)
 ANSI A117.1 (ADA)