



# T&S BRASS AND BRONZE WORKS, INC.

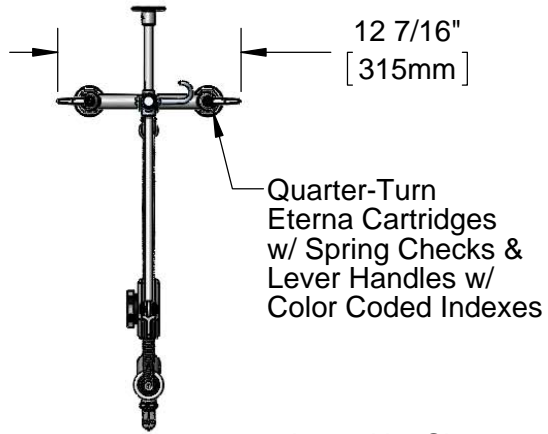
2 Saddleback Cove / P.O. Box 1088  
Travelers Rest, SC 29690

Model No.

**B-2279**

Item No.

Travelers Rest, SC: 800-476-4103 • Simi Valley, CA: 800-423-0150 • Fax: 864-834-3518 • www.tsbrass.com



Quarter-Turn  
Eterna Cartridges  
w/ Spring Checks &  
Lever Handles w/  
Color Coded Indexes



This Space for Architect/Engineer Approval

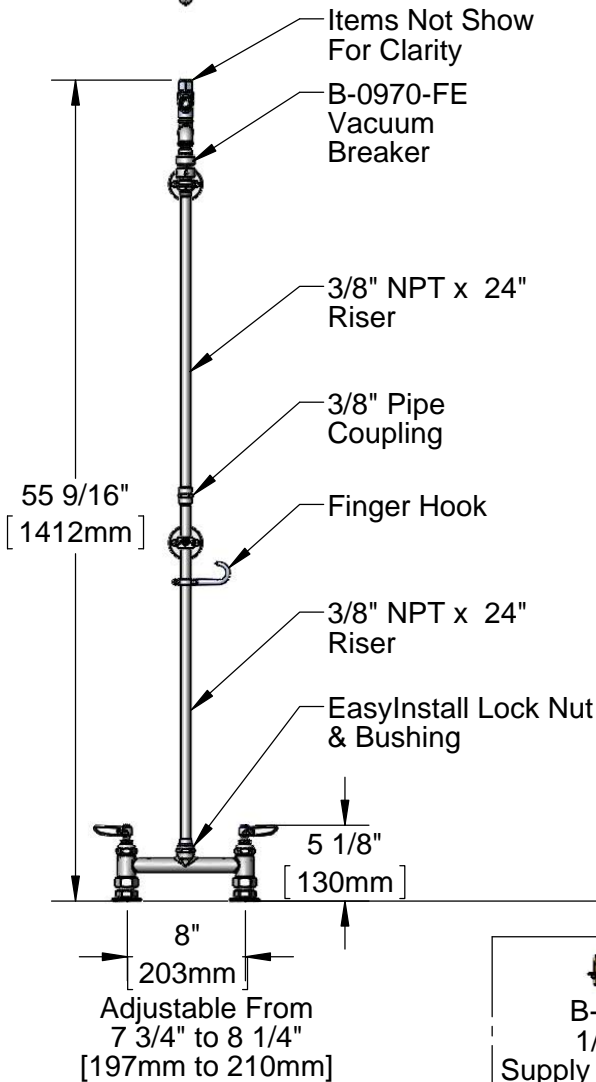
Job Name \_\_\_\_\_ Date \_\_\_\_\_

Model Specified \_\_\_\_\_ Quantity \_\_\_\_\_

Customer/Wholesaler \_\_\_\_\_

Contractor \_\_\_\_\_

Architect/Engineer \_\_\_\_\_



Items Not Show  
For Clarity

B-0970-FE  
Vacuum  
Breaker

3/8" NPT x 24"  
Riser

3/8" Pipe  
Coupling

Finger Hook

3/8" NPT x 24"  
Riser

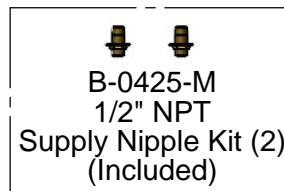
EasyInstall Lock Nut  
& Bushing

5 1/8"  
[130mm]

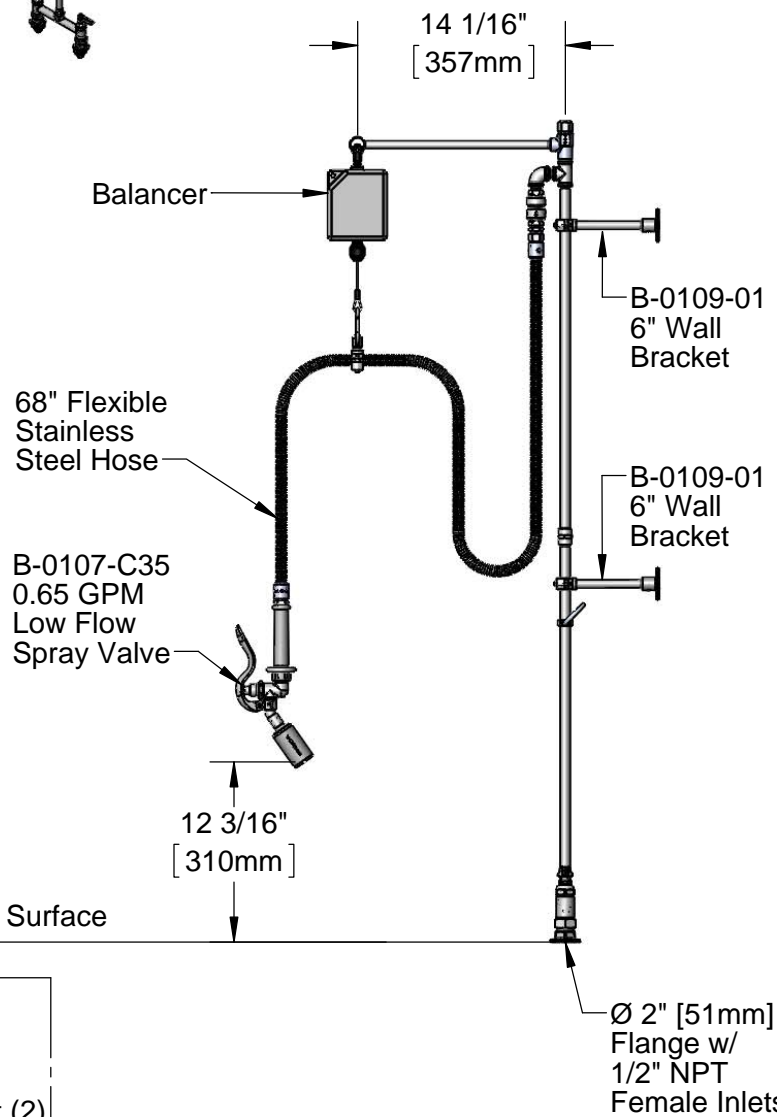
Mounting Surface

8"  
[203mm]

Adjustable From  
7 3/4" to 8 1/4"  
[197mm to 210mm]



B-0425-M  
1/2" NPT  
Supply Nipple Kit (2)  
(Included)



Balancer

68" Flexible  
Stainless  
Steel Hose

B-0107-C35  
0.65 GPM  
Low Flow  
Spray Valve

12 3/16"  
[310mm]

14 1/16"  
[357mm]

B-0109-01  
6" Wall  
Bracket

B-0109-01  
6" Wall  
Bracket

Ø 2" [51mm]  
Flange w/  
1/2" NPT  
Female Inlets

**Product Specifications:**

Pre-Rinse Unit: EasyInstall 8" Deck Mount Mixing Faucet, Quarter-Turn Eterna Cartridges w/ Spring Checks, Swivel Arm w/ Balancer, Vacuum Breaker, 68" Flexible Stainless Steel Hose, 0.65 GPM Low Flow Angled Spray Valve, 6" Wall Brackets & 1/2" NPT Supply Nipple Inlets

**Product Compliance:**

ASME A112.18.1 / CSA B125.1  
NSF 61 - Section 9  
NSF 372 (Low Lead Content)  
EPA Act 2005 (PRSV)  
CSA B64.8 (VB)



# T&S BRASS AND BRONZE WORKS, INC.

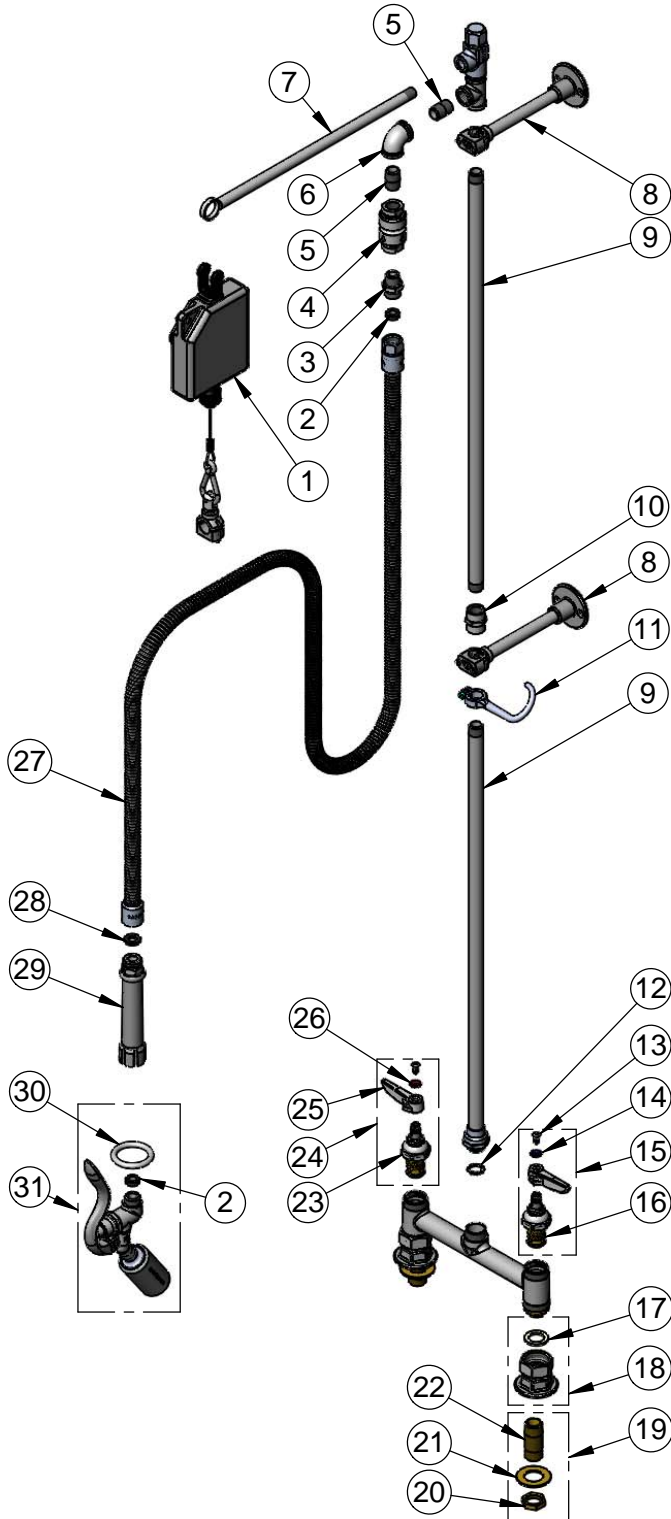
2 Saddleback Cove / P.O. Box 1088  
Travelers Rest, SC 29690

Model No.

**B-2279**

Item No.

Travelers Rest, SC: 800-476-4103 • Simi Valley, CA: 800-423-0150 • Fax: 864-834-3518 • www.tsbrass.com



ITEM NO.	SALES NO.	DESCRIPTION
1	005311-40	Balancer
2	010476-45	#27 Washer
3	053A	Adapter, 3/8" NPT Male
4	B-0970-FE	3/8" NPT Vacuum Breaker
5	002535-25	3/8" Close Nipple
6	001355-40	Elbow, 3/8 NPT
7	005252-20	Plated Steel Swivel Arm
8	B-0109-01	6" Wall Bracket
9	000372-40	3/8" NPT x 24" Riser
10	001769-40	3/8" NPT Coupling
11	004R	Finger Hook
12	014200-45	Star Washer, Anti-Rotation
13	000922-45	Lever Handle Screw
14	001660-45	Blue Index-CW
15	002711-40	Quarter-Turn Eterna Cartridge, LTC w/ Spring Check, Handle, Index & Screw
16	012442-40	Quarter-Turn Eterna Cartridge, LTC w/ Spring Check
17	001019-45	Coupling Nut Washer
18	00AA	1/2" NPT Female Eccentric Flange
19	B-0425-M	1/2" NPT Supply Nipple Kit (2)
20	002954-45	Shank Lock Nut
21	000999-45	Brass Lock Washer
22	000422-20	1/2" NPT Supply Nipple
23	012443-40	Quarter-Turn Eterna Cartridge, RTC w/ Spring Check
24	002712-40	Quarter-Turn Eterna Cartridge, RTC w/ Spring Check, Handle, Index & Screw
25	001638-45	Lever Handle
26	001661-45	Red Index-HW
27	B-0068-H2A	68" Flexible Stainless Steel Hose, Less Handle
28	001014-45	Washer, B-0100 Hose Barrel
29	002987-40	Grip Handle
30	000907-45	Spray Valve Hold Down Ring
31	B-0107-C35	0.65 GPM Angled Spray Valve

**Product Specifications:**

Pre-Rinse Unit: EasyInstall 8" Deck Mount Mixing Faucet, Quarter-Turn Eterna Cartridges w/ Spring Checks, Swivel Arm w/ Balancer, Vacuum Breaker, 68" Flexible Stainless Steel Hose, 0.65 GPM Low Flow Angled Spray Valve, 6" Wall Brackets & 1/2" NPT Supply Nipple Inlets

**Product Compliance:**

ASME A112.18.1 / CSA B125.1  
NSF 61 - Section 9  
NSF 372 (Low Lead Content)  
EPA Act 2005 (PRSV)  
CSA B64.8 (VB)